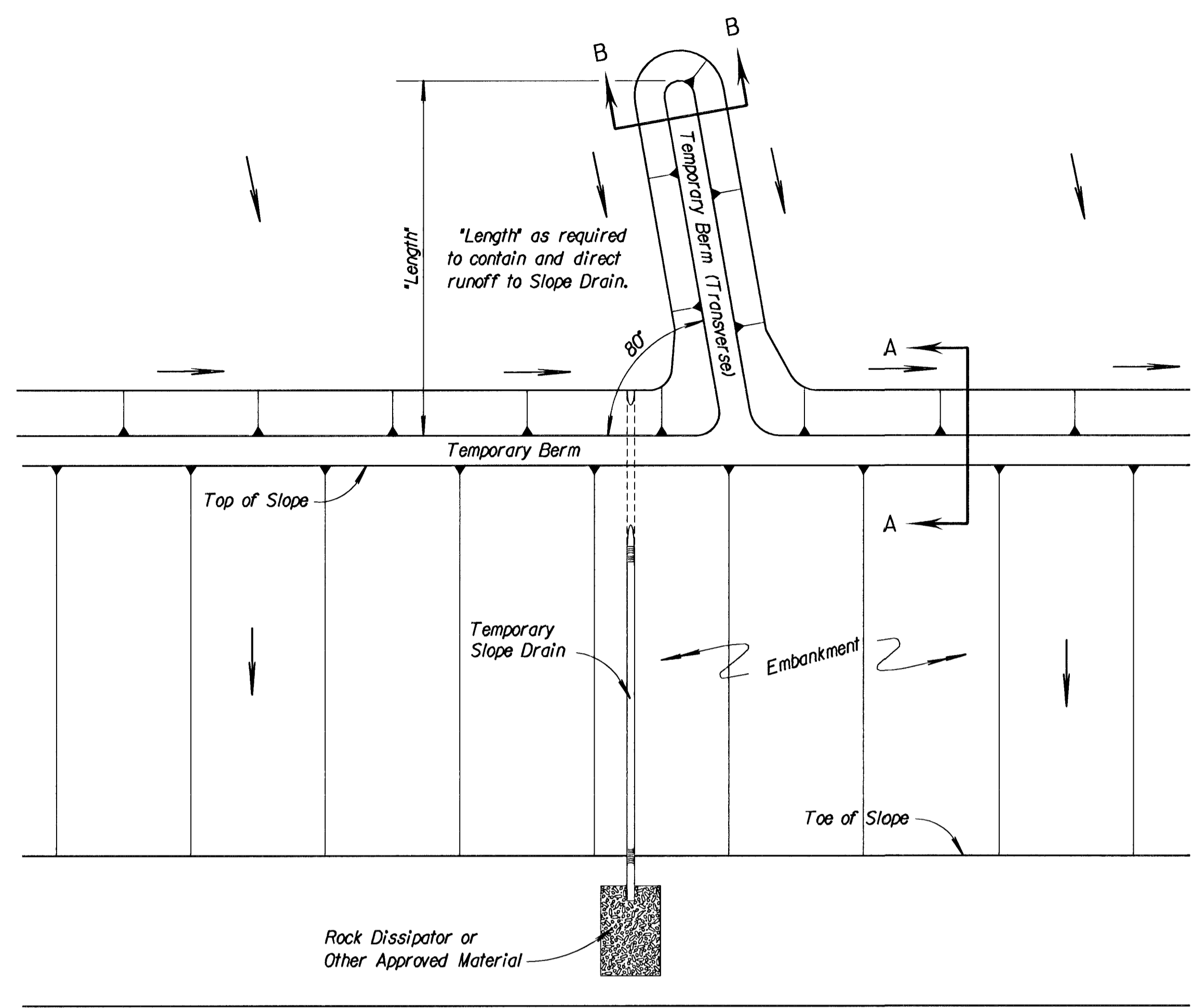
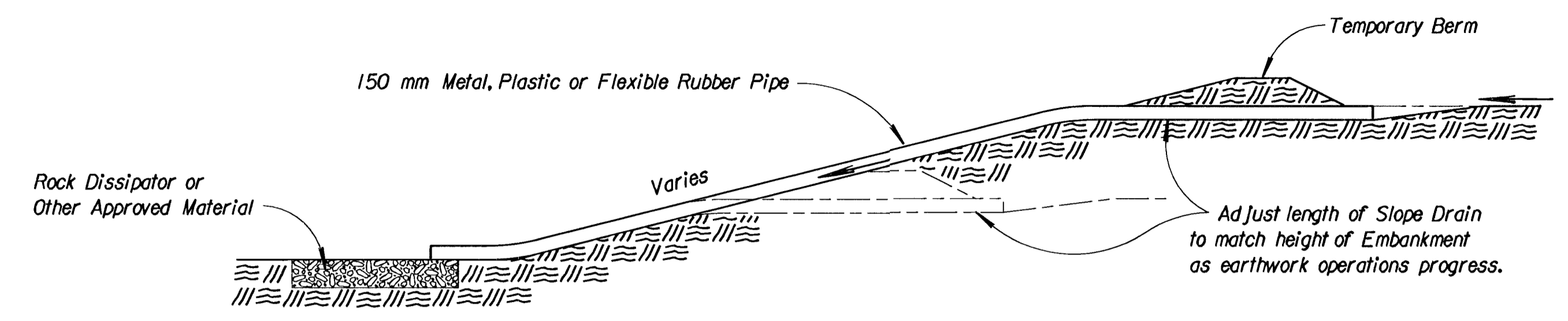


FHWA REGION NO.	STATE	PROJECT NO.	YEAR	SHEET NO.	TOTAL SHEETS
7	KANSAS	87 N-0092-01	1999	28	75

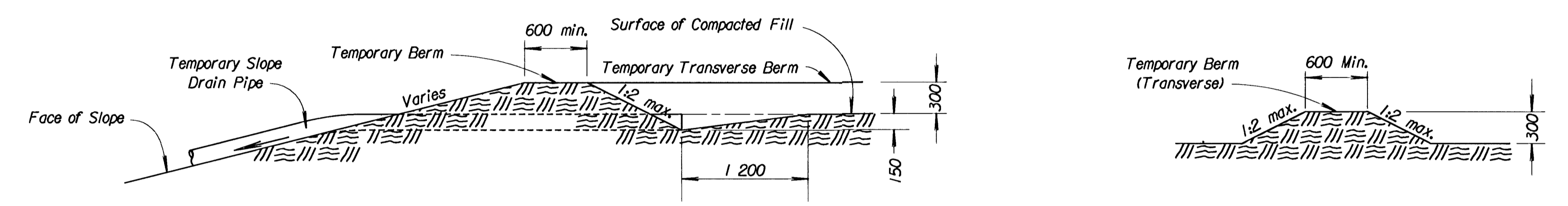
- NOTES:
- 1) Temporary Slope Drain and Temporary Berm may be used on either project foreslopes or project backslopes.
  - 2) Discharge of Slope Drains shall be into stabilized ditch or area, or into Sediment Basin.
  - 3) Pipe shall be secured in place as approved by Engineer.



TYPICAL PLAN VIEW OF TEMPORARY BERM AND TEMPORARY SLOPE DRAIN  
NO SCALE



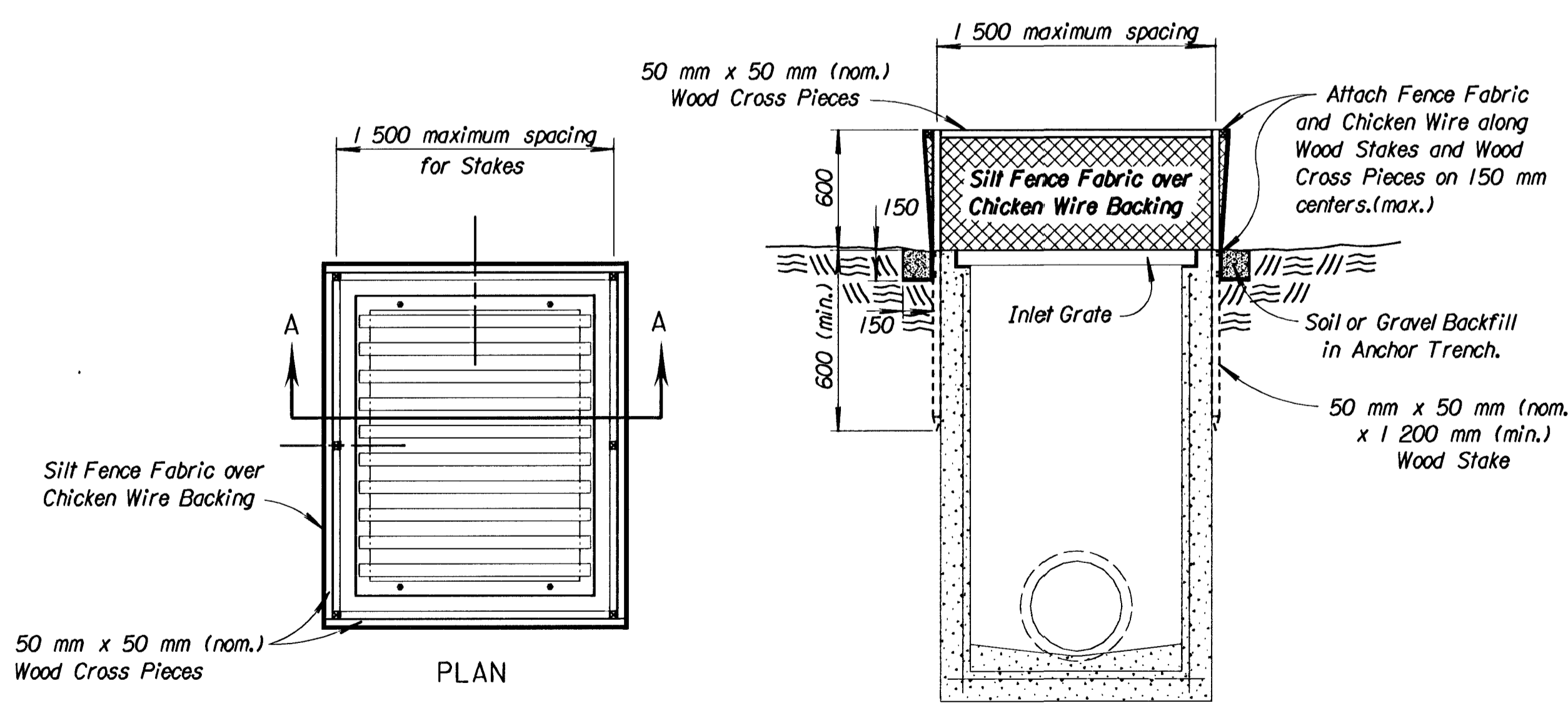
TYPICAL PROFILE OF TEMPORARY SLOPE DRAIN  
NO SCALE



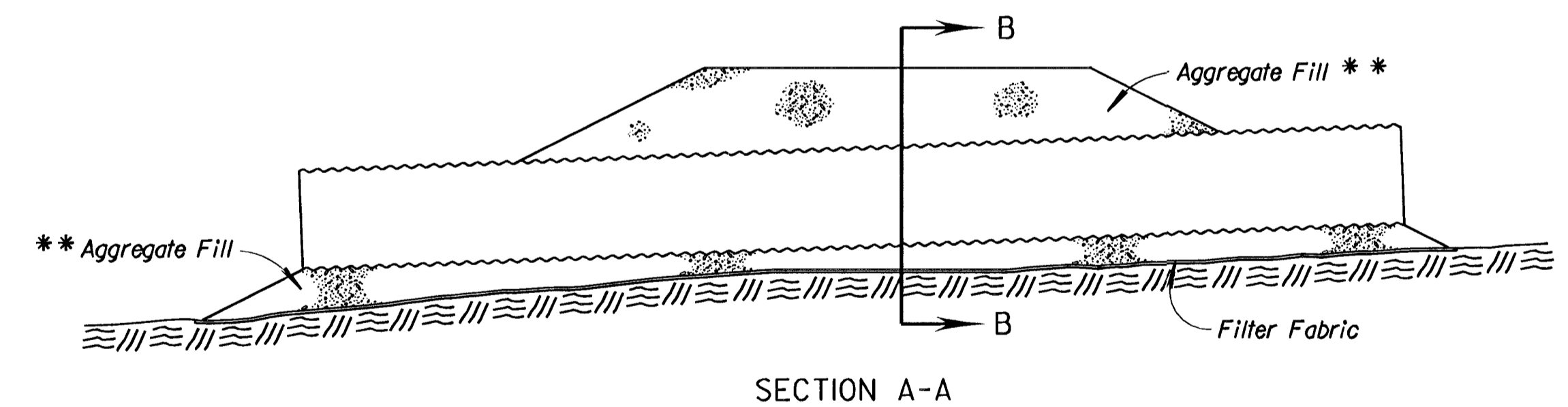
SECTION A-A  
NO SCALE

SECTION B-B  
NO SCALE

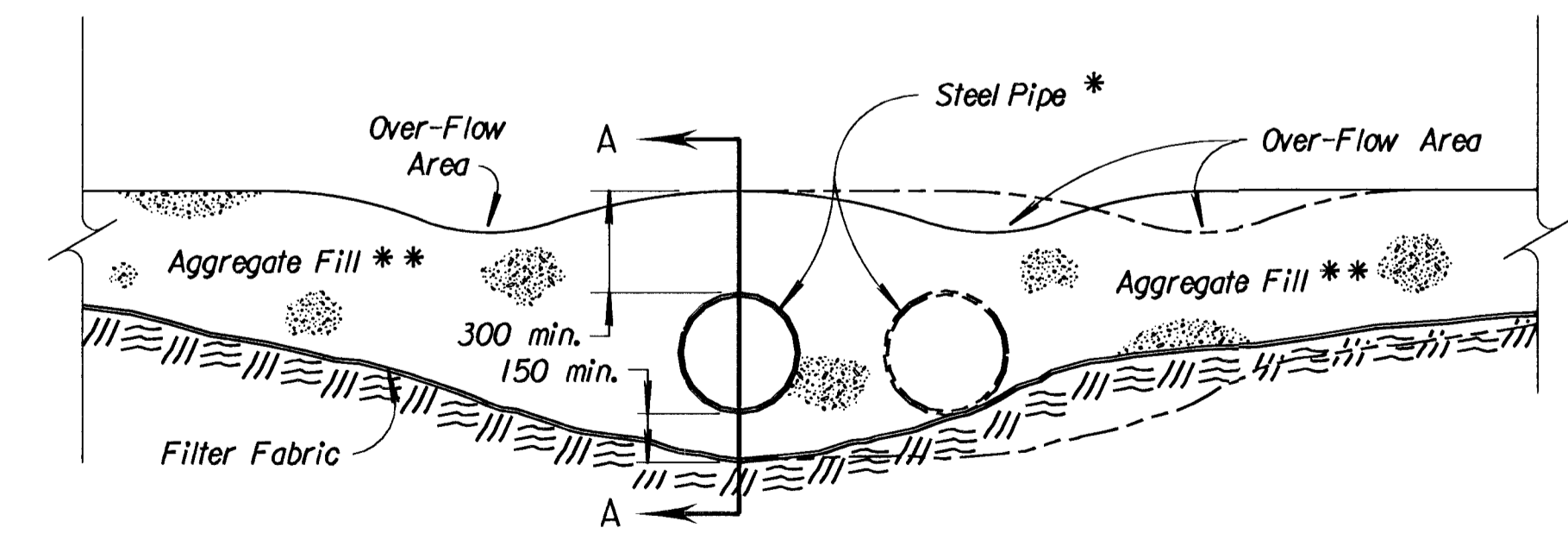
TYPICAL PROFILE OF TEMPORARY BERM  
NO SCALE



TEMPORARY INLET SEDIMENT BARRIER  
NO SCALE



SECTION A-A



SECTION B-B

TEMPORARY STREAM CROSSING  
NO SCALE

- \* NOTE:  
Quantity, length and diameter of steel pipe to be determined by design flow calculations.
- \*\* NOTE:  
Alternate fill material may be used upon the approval of the Bureau of Construction and Maintenance, Field Construction Engineer.

NO.	DATE	REVISIONS	BY	APP'D
3				
2	3/17/97	Revised Temp. Stream Crossing	WCL	RDR
1	7-5-95	Convert to SI	WCL	RDR

KANSAS DEPARTMENT OF TRANSPORTATION  
TEMPORARY PROJECT WATER POLLUTION CONTROL  
TEMPORARY SLOPE DRAIN; STREAM CROSSING; INLET SEDIMENT BARRIER  
LA852C SI

F.H.W.A. APPROVAL	4/02/97	APP'D	Richard D. Ross
DESIGNED	WCL	QUANTITIES	TRACED
DESIGN CK.	RDR	QUAN. CK.	TRACE CK.

Drawn By: J. Olson  
DGN File: 1827\lab52c.dgn  
Plotted: 7-12-99

View: PLOT 1