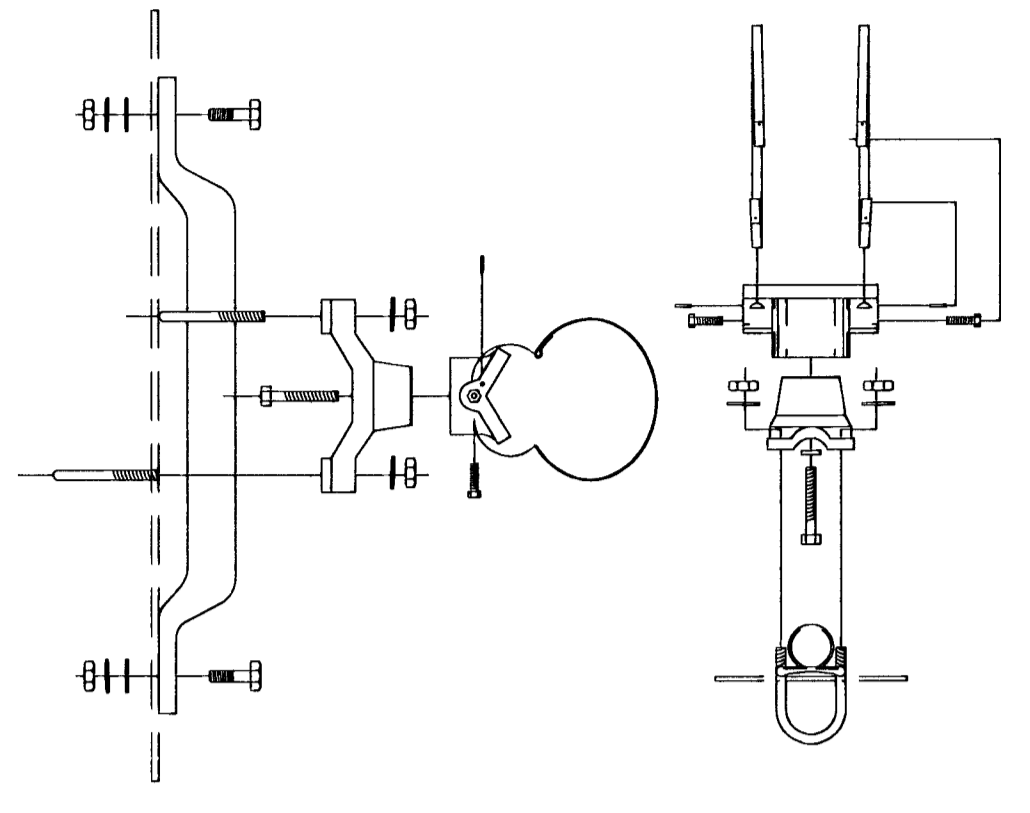
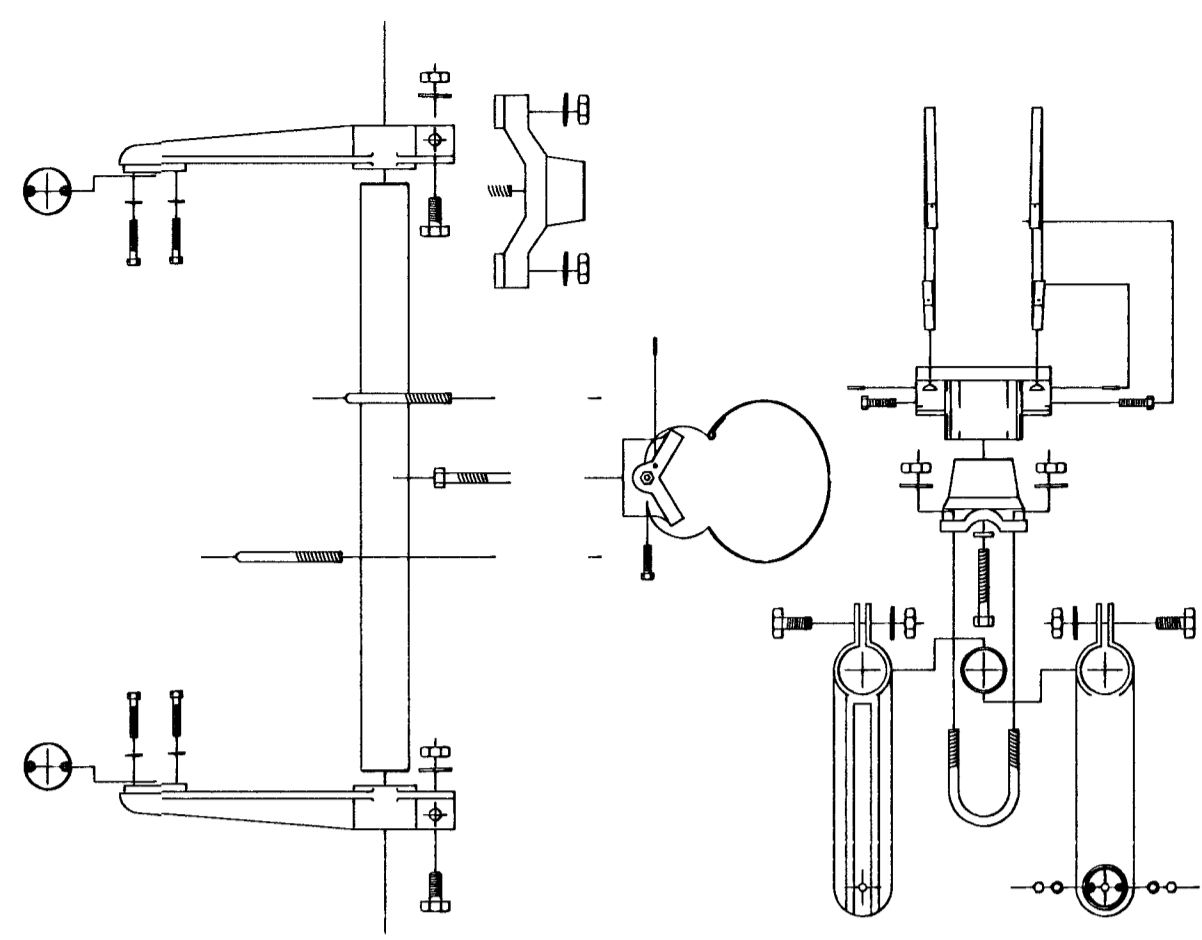


- NOTE:
1. THE ANCHOR BOLTS FOR THE SIGNAL POLE SHALL BE TACK WELDED TOGETHER IN A 400 OR 500 mm DIA. BOLT PATTERN (ON CENTERS AS SHOWN) TO MAINTAIN REQUIRED BOLT CONFIGURATION PATTERN AND TO AID IN VERTICAL POSITIONING WHILE CONCRETE BASE IS POURED.
  2. USE ANTI-SEIZE COMPOUND ON ALL THREADS.
  3. 3.7 m x 20 mm GROUND ROD TO BE POSITIONED BEFORE POURING BASE.
  4. CLASS 'A' CONCRETE SHALL BE USED TO CONSTRUCT BASE.
  5. CONSTRUCT A 150 mm THICK x 914 mm SQUARE CONCRETE CAP AFTER POLE HAS BEEN ERECTED & PLUMBED. CHAMFER EDGE 25 mm. MUST BE APPROVED BY ENG. BEFORE POURED.
  6. CONDUIT SHALL HAVE PLASTIC (OR METAL) BUSHING (ASIDE BASE) TO PREVENT CABLE CHAFING.
  7. USE #8 BARE COPPER GROUND CONDUCTOR FROM CLAMP TO GROUND BOLT IN ACCESS HOLE.

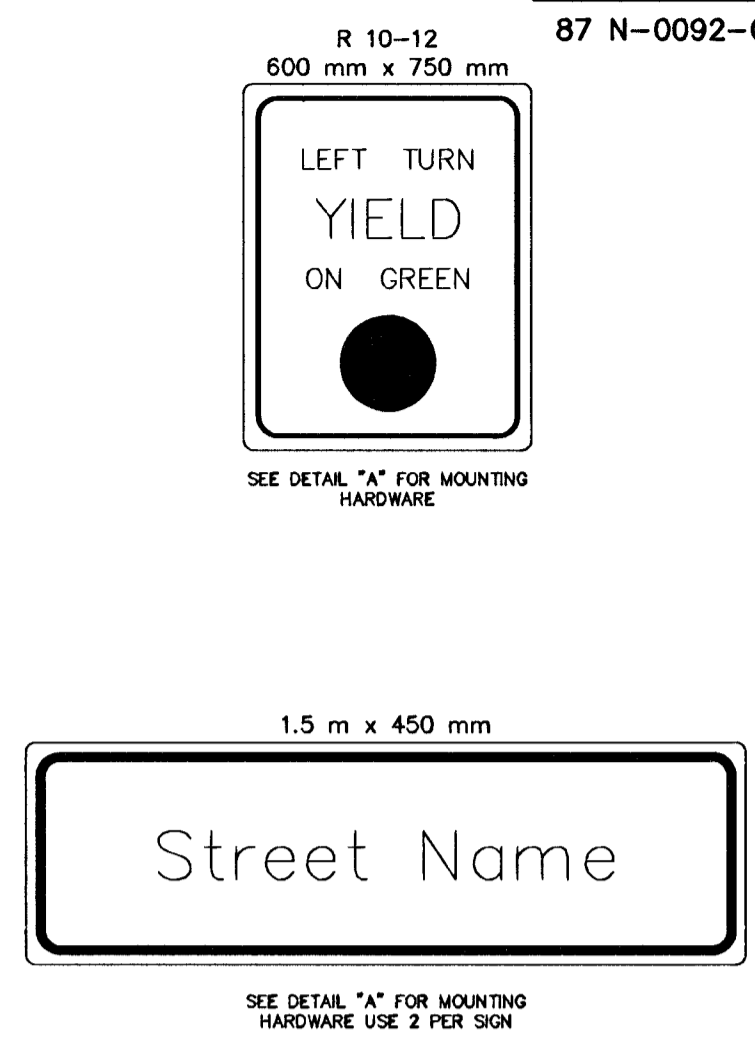
BANDED SIGN MOUNTING BRACKET DETAIL



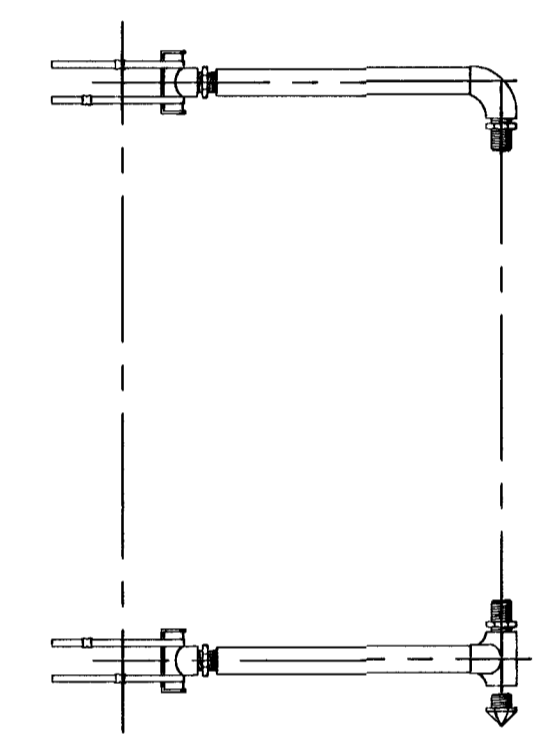
TYPE I SIGNAL MOUNTING BRACKET ASSEMBLY DETAIL



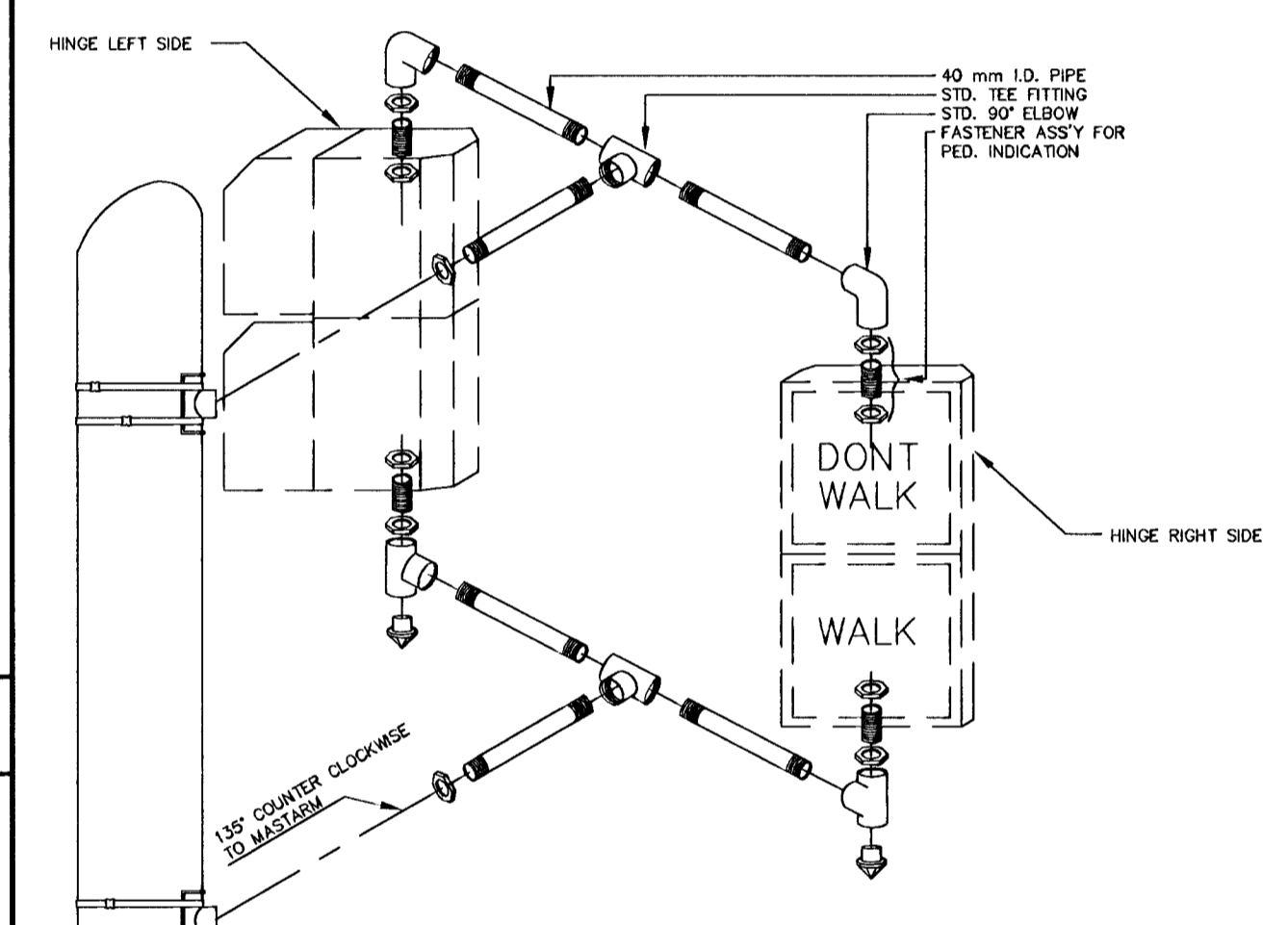
STANDARD SIGNING



TYPE III SIDE-OF-POLE MOUNTING BRACKET ASSEMBLY

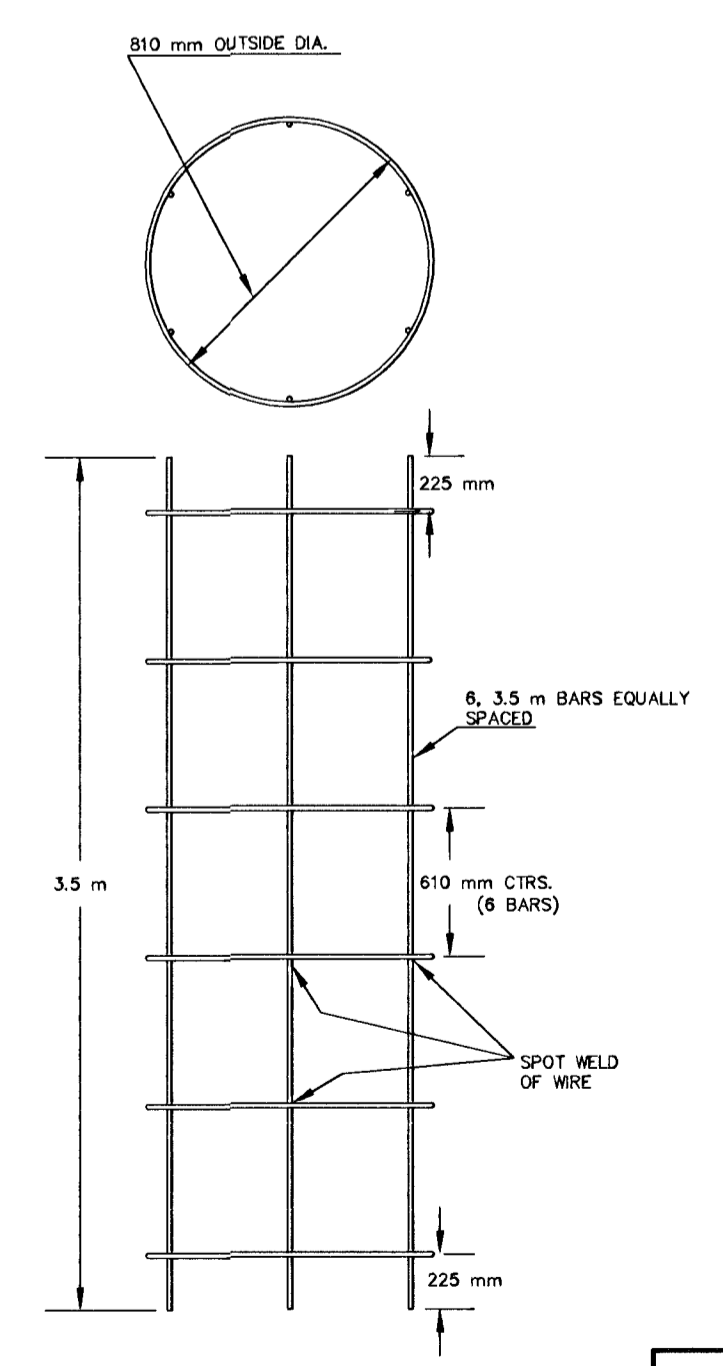


TYPE II SIGNAL MOUNTING BRACKET ASSEMBLY (SIDE-OF-POLE)



1. DIRECTIONAL ALIGNMENT OF PED. INDICATIONS & BRACKET(S) SHALL BE DETERMINED IN THE FIELD BY THE ENGINEER.
2. THROUGH HOLES IN THE POLE SHALL BE DRILLED AND WELL REAMED TO PREVENT CABLE CHAFING.
3. HINGE PEDESTRIAN SIGNAL DOORS AWAY FROM POLE.

REBAR CAGE



PROJECT DESCRIPTION		
STEEL SIGNAL POLE ASSEMBLY DETAILS		
PROJECT NUMBER 472-82668		
DRAWN BY: T.M.	APPROVED BY:	REVISED BY:
DATE: FEB. 96		DATE: NOVEMBER 1996
CITY OF WICHITA DEPARTMENT OF PUBLIC WORKS		
DIVISION OF TRAFFIC ENGINEERING WM. G. MCKINLEY TRAFFIC ENGINEER	SCALE NO SCALE	