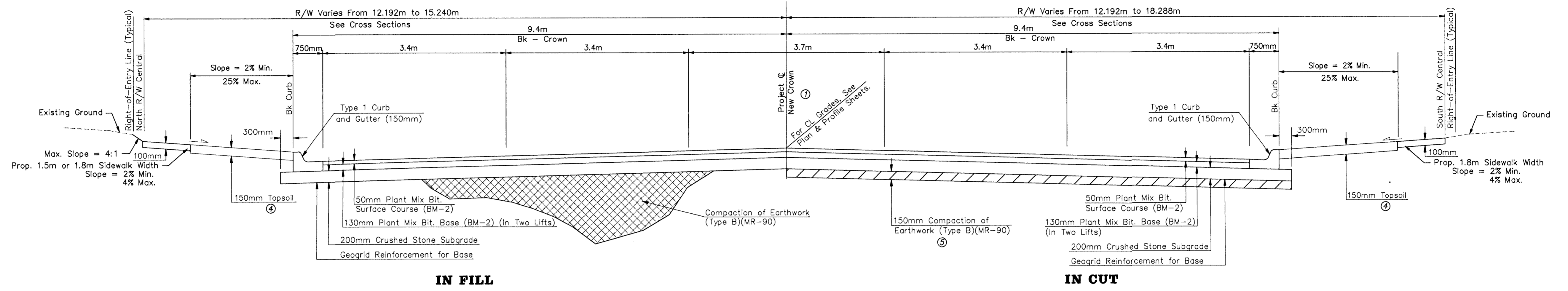
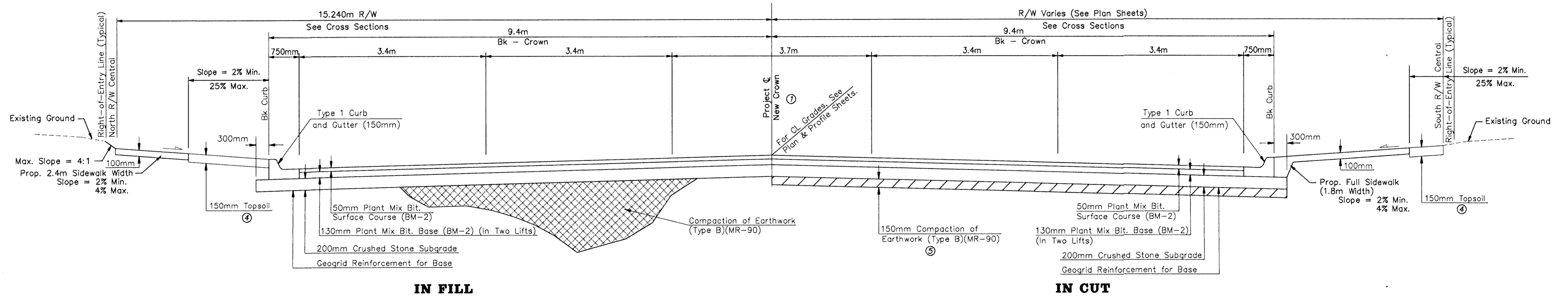


# TYPICAL PAVEMENT SECTION

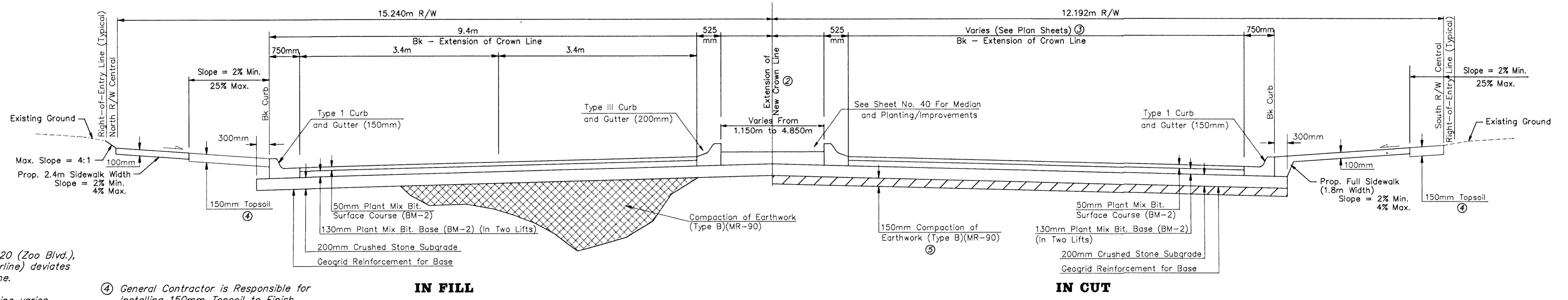
FHWA REGION NO.	STATE	PROJECT NO.	FISCAL YEAR	SHEET NO.	TOTAL SHEETS
7	KANSAS	87N-0094-01	1998	4	202



**TYPICAL SECTION (CENTRAL AVENUE)  
STA. 0+152.431 TO STA. 0+787.052**



**TYPICAL SECTION (CENTRAL AVENUE)  
STA. 0+924.430 TO STA. 1+527.323**



**TYPICAL SECTION (CENTRAL AVENUE)  
STA. 1+527.323 TO STA. 1+639.158**

**NOTES:**

- ① Beginning at Sta 0+802.320 (Zoo Blvd.), New Crown (Project Centerline) deviates North from Project Baseline.
- ② Extension of New Crown Line varies from Section Line from 1.414m Lt. at Sta. 1+527.323 to 1.548m Lt. at Sta. 1+616.024.
- ③ Varies from 9.40m Rt. at Sta 1+528.486 to 11.625m Rt. at Sta. 1+571.422.
- ④ General Contractor is Responsible for Installing 150mm Topsoil to Finish Grade (both sides), to be Completed Before Landscaping is Installed.
- ⑤ 150mm Subgrade Compaction (Type B) (MR-90) in Cut Sections is *SUBSIDIARY* to Other Earthwork Items.



PROJECT NUMBER <b>472 - 82906</b>					PROJECT NUMBER 95 05 E026 DIRECTOR CENTZOO SHEET NAME TYPSEC						
DESIGN STAFF	DRAWN KWR	APPROVED JFB	DATE NOV 98	SCALE NONE	<b>CAPITAL IMPROVEMENT PROJECT</b> <b>TYPICAL SECTIONS</b> CENTRAL AVENUE					<b>BAUGHMAN COMPANY P.A.</b> ENGINEERING, SURVEYING, & PLANNING 316-262-7271 • 315 ELLIS • WICHITA, KANSAS 67211	SHEET <b>4</b> OF <b>202</b>
PROJECT NO. 87N-0094-01 FISCAL YEAR 1998 SHEET NO. 4 TOTAL SHEETS 202											