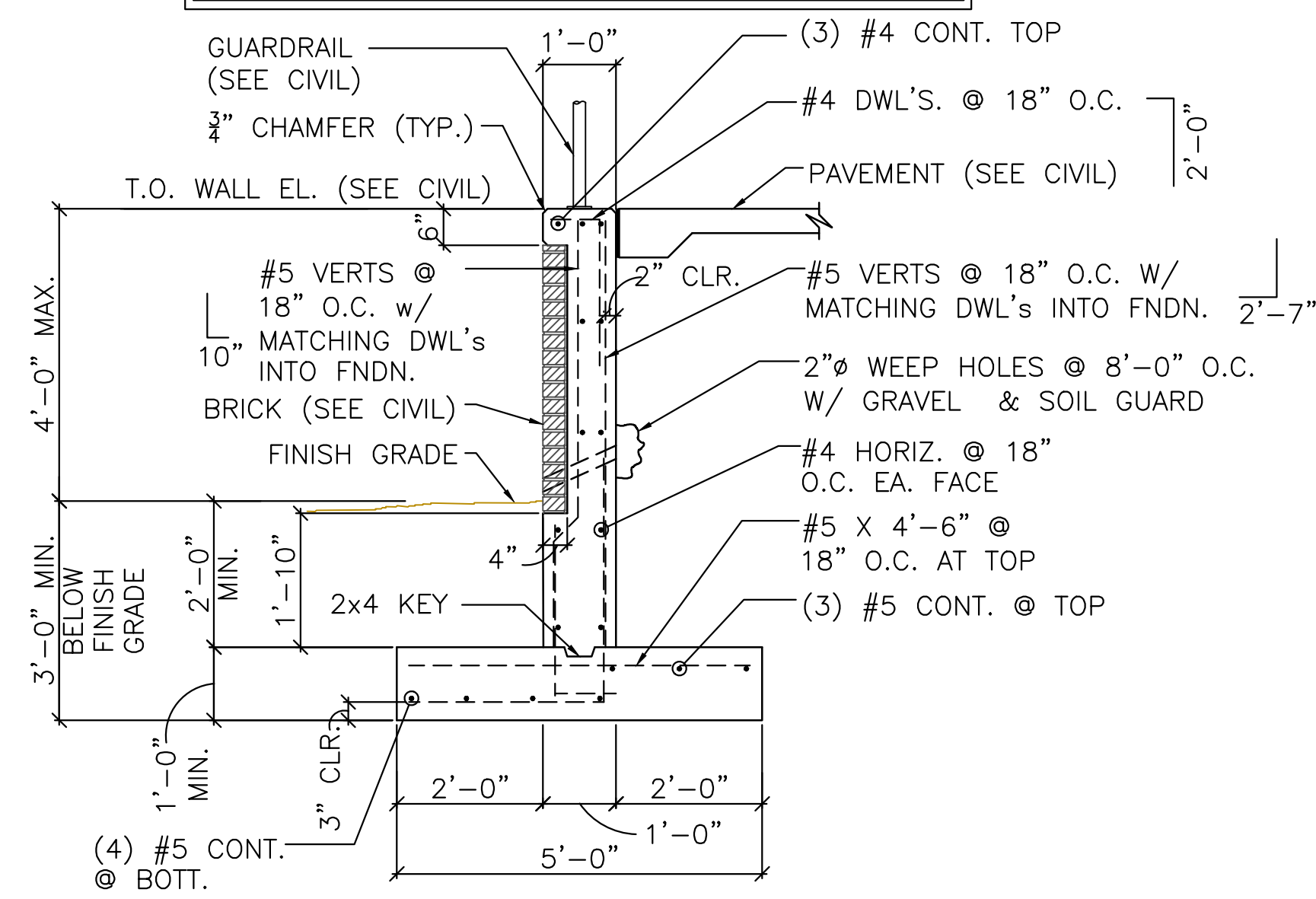


J:\PROJECTS\2017\171010567\_COW\_STRYKER\_170567\_CAD\SHIT\106 STRUCTURES\SITE DETAILS\STADIUM HARDSCAPE FOUNDATIONS.DWG  
 PLOTTED: Wednesday, May 02, 2018 @ 02:54PM

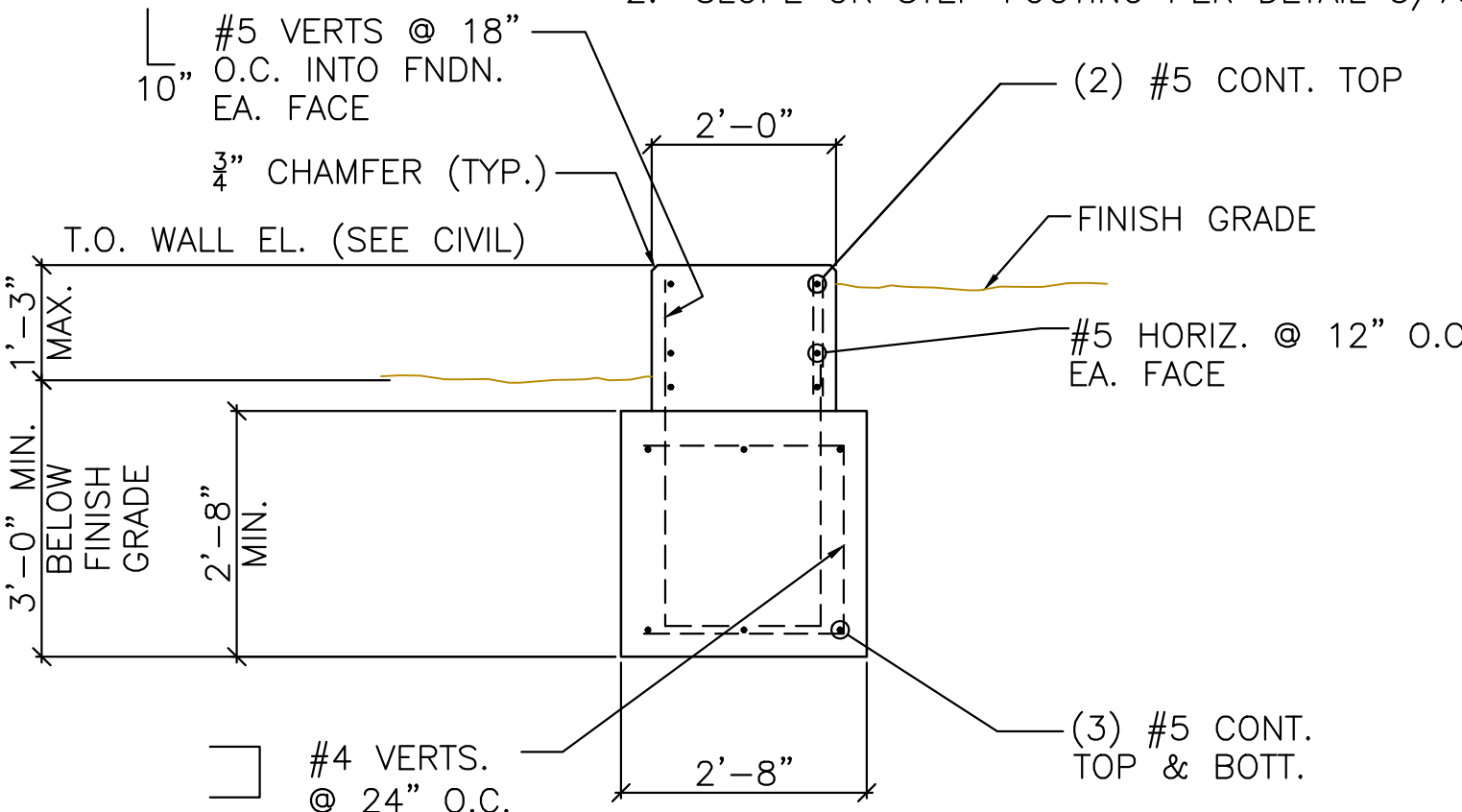
**RETAINING WALL NOTES:**

- REFER TO DETAIL 1/78 FOR TYP. CONTROL JOINT DETAIL AT 20'-0" O.C. (MAX.)
- REFER TO DETAIL 2/78 FOR TYP. EXPANSION JOINT DETAIL AT 80'-0" O.C. (MAX.)
- RETAINING WALL FOOTINGS TO BE CONSTRUCTED ABOVE WATER TABLE



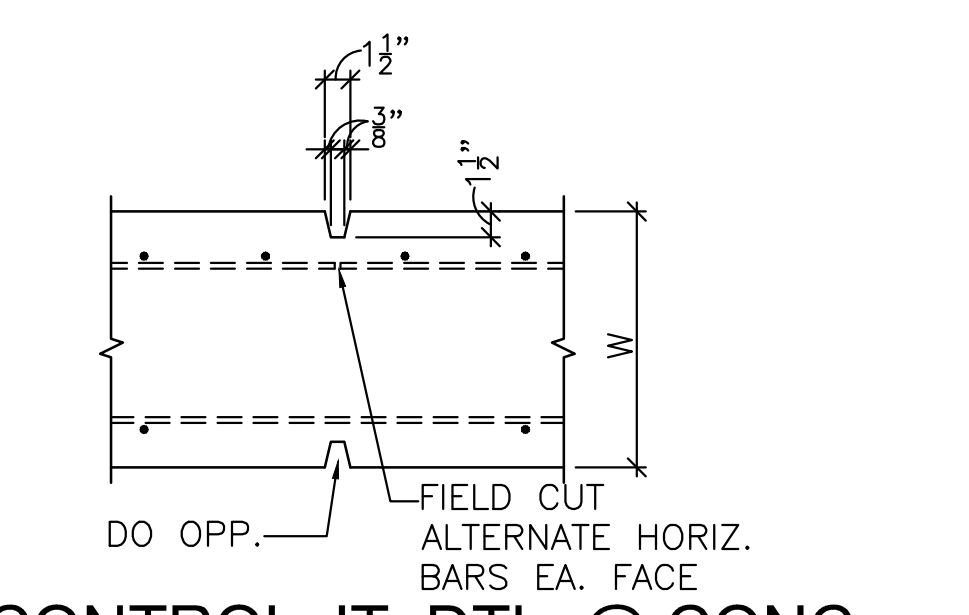
**4'-0" RETAINING WALL**  
SCALE: 1/2"=1'-0"

NOTES:  
 1. 100 PSF SURCHARGE @ TOP OF RETAINING WALL.  
 2. SLOPE OR STEP FOOTING PER DETAIL 3/78.

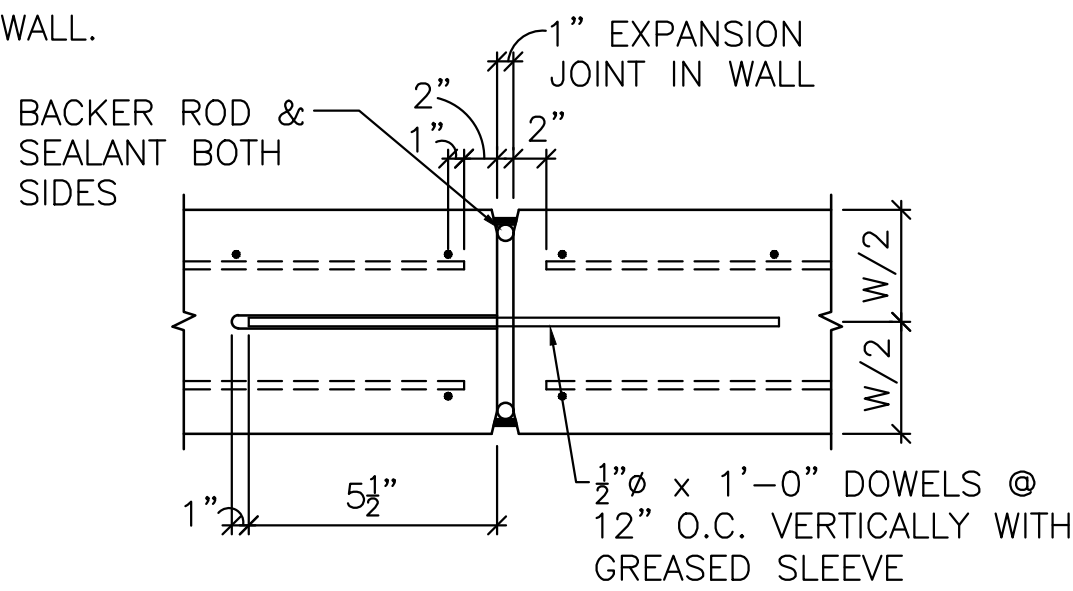


**TERRACE WALL**  
SCALE: 1/2"=1'-0"

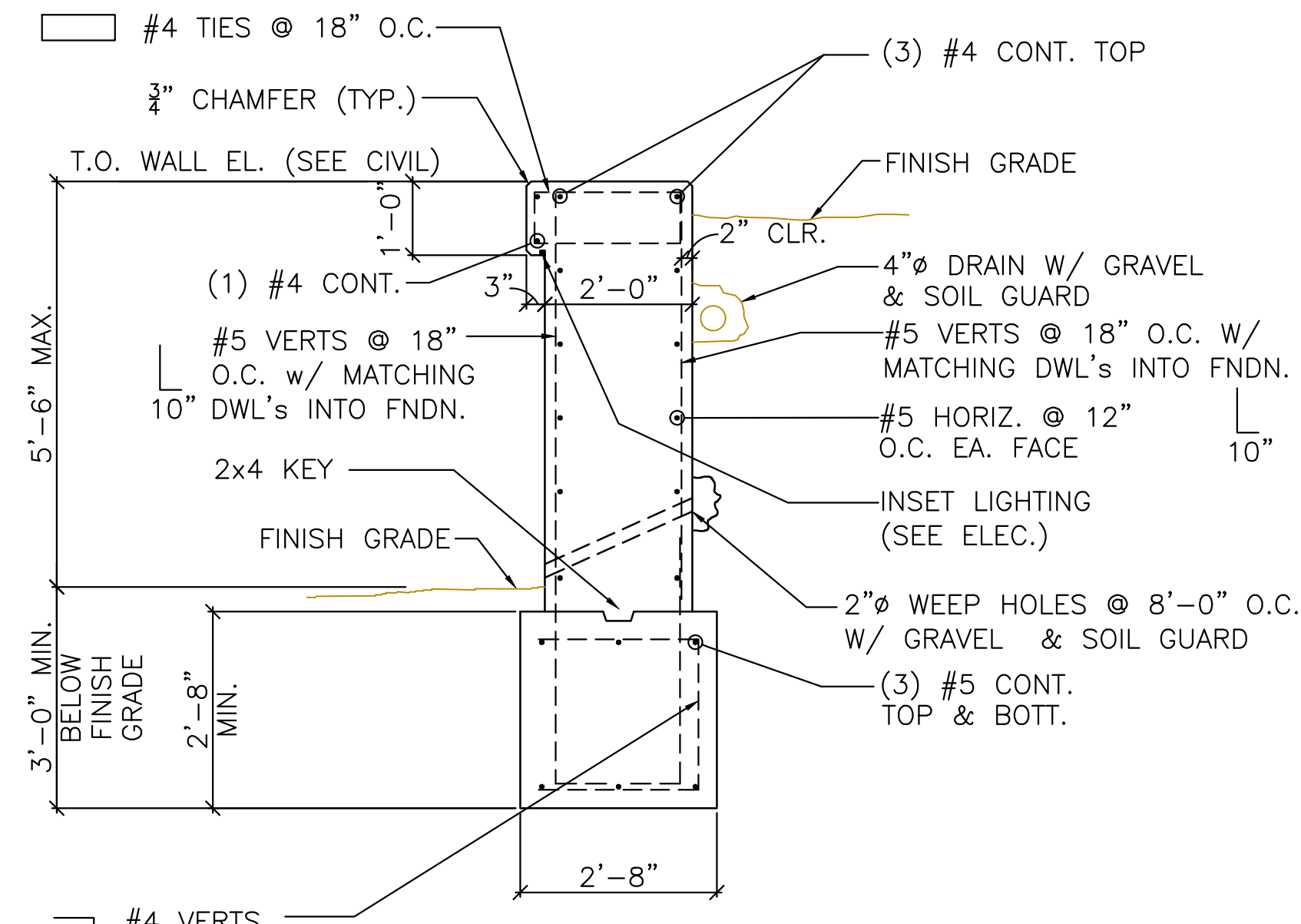
NOTES:  
 1. 100 PSF SURCHARGE @ TOP OF TERRACE WALL.



**CONTROL JT. DTL. @ CONC. RETAINING WALL - PLAN VIEW**  
SCALE: 1"=1'-0"

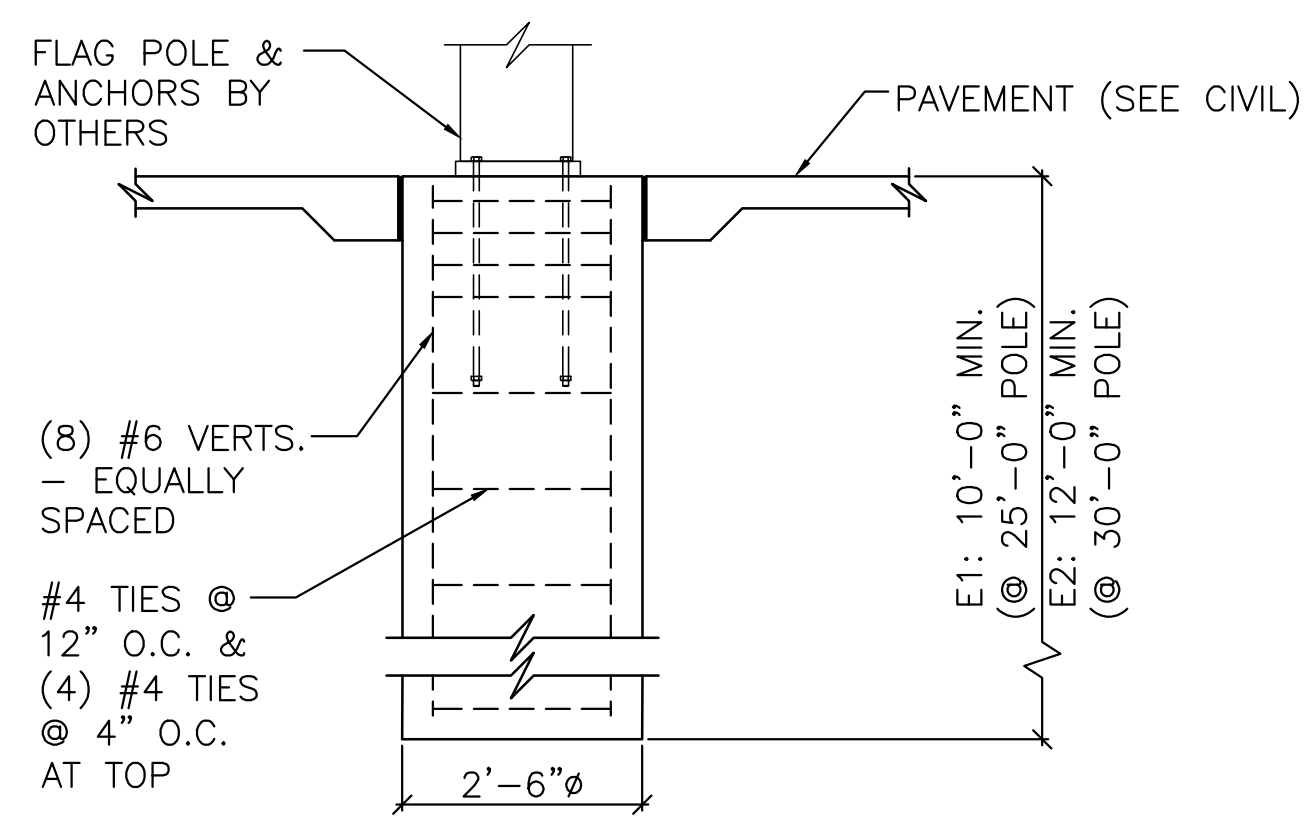


**EXPANSION JT. DTL. @ CONC. RETAINING WALL - PLAN VIEW**  
SCALE: 1"=1'-0"

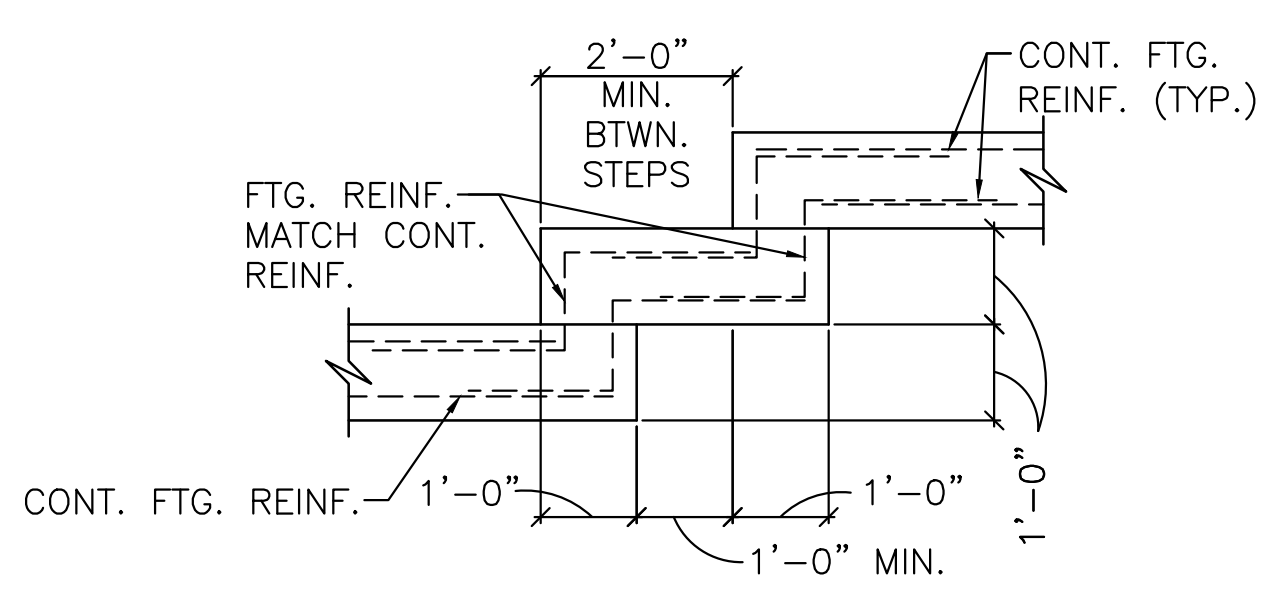


**PLANTER WALL**  
SCALE: 1/2"=1'-0"

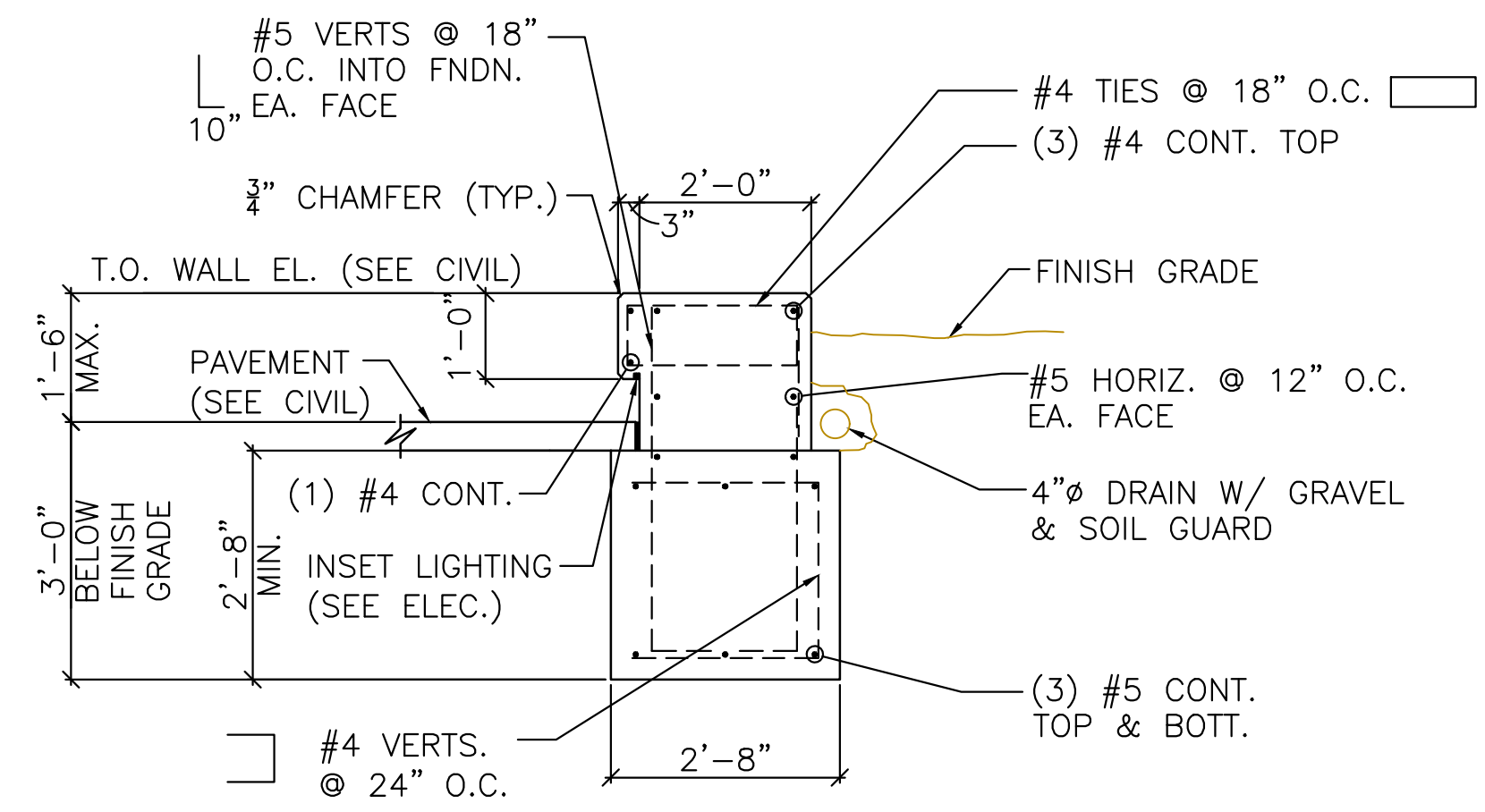
NOTES:  
 1. SLOPE OR STEP FOOTING PER DETAIL 4/78.



**FLAG POLE FNDN.**  
SCALE: 1/2"=1'-0"

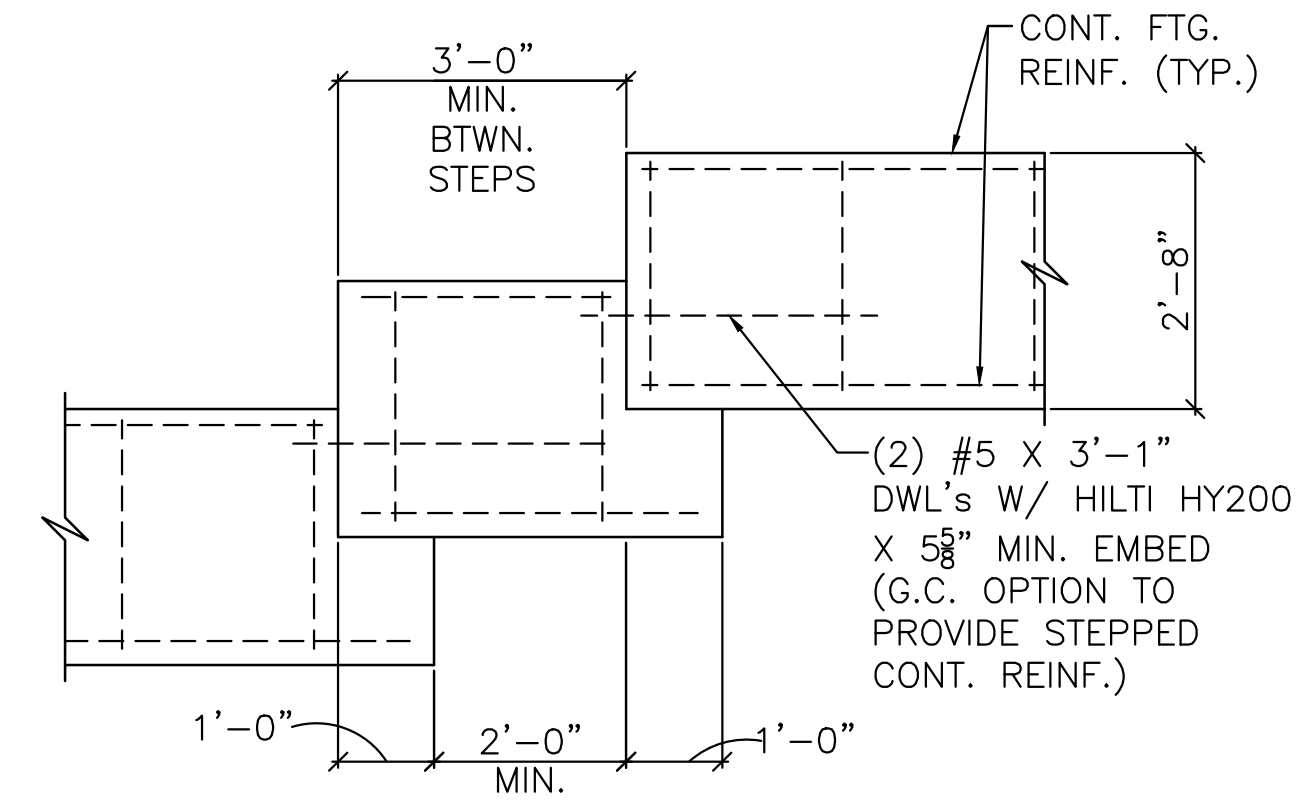


**TYP. STEPPED FTG.**  
SCALE: 1/2"=1'-0"



**PLANTER WALL**  
SCALE: 1/2"=1'-0"

NOTES:  
 1. SLOPE OR STEP FOOTING PER DETAIL 4/78.



**TYP. STEPPED FTG.**  
SCALE: 1/2"=1'-0"



©2018 MKEC Engineering All Rights Reserved www.mkec.com  
 These drawings and their contents, including, but not limited to, all concepts, designs, & ideas are the exclusive property of MKEC Engineering (MKEC), and may not be used or reproduced in any way without the express consent of MKEC.

**STADIUM HARDSCAPE FOUNDATIONS**

PROJECT NO.	1701010567	
DATE	MAY 2, 2018	
SCALE	AS NOTED	
DESIGNED	DRAWN	CHECKED
RH	RLL	RR
ISSUED FOR CONST.	05-02-18	
NO.	REVISION	DATE