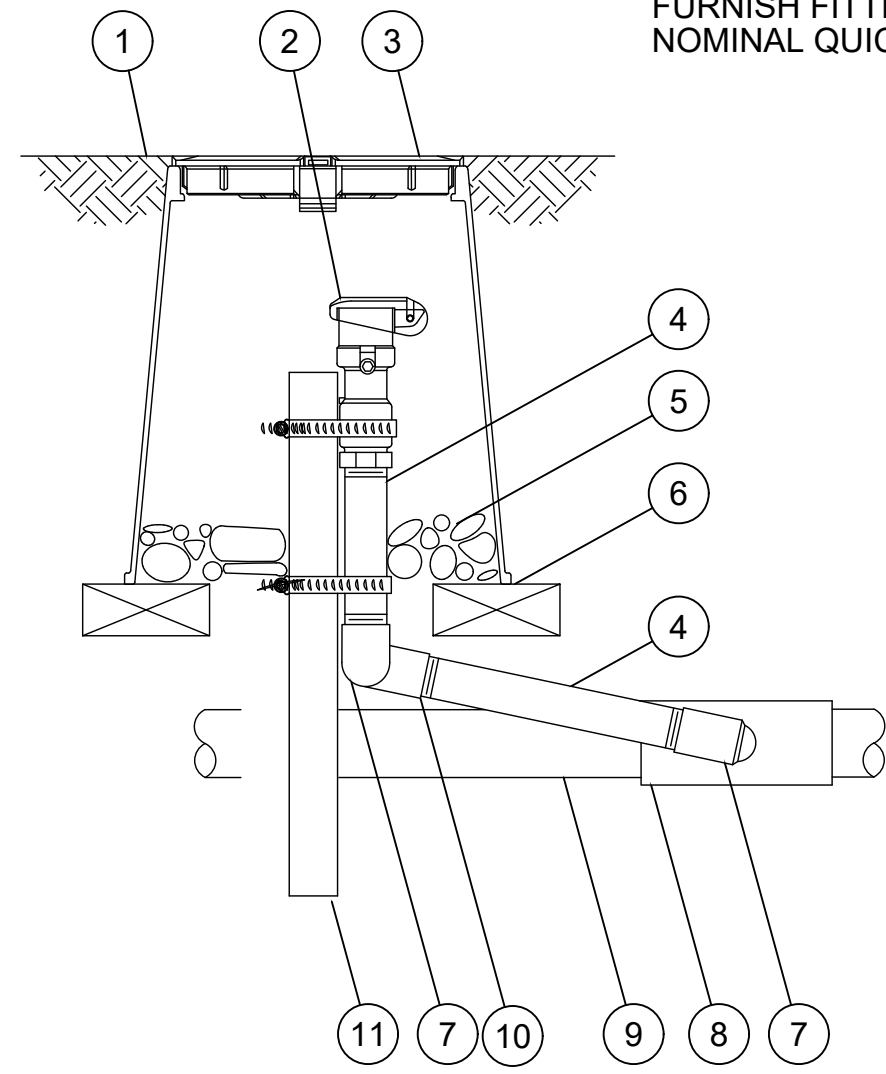


PL01TEB - Wednesday, May 02, 2018 @ 0:13:58M

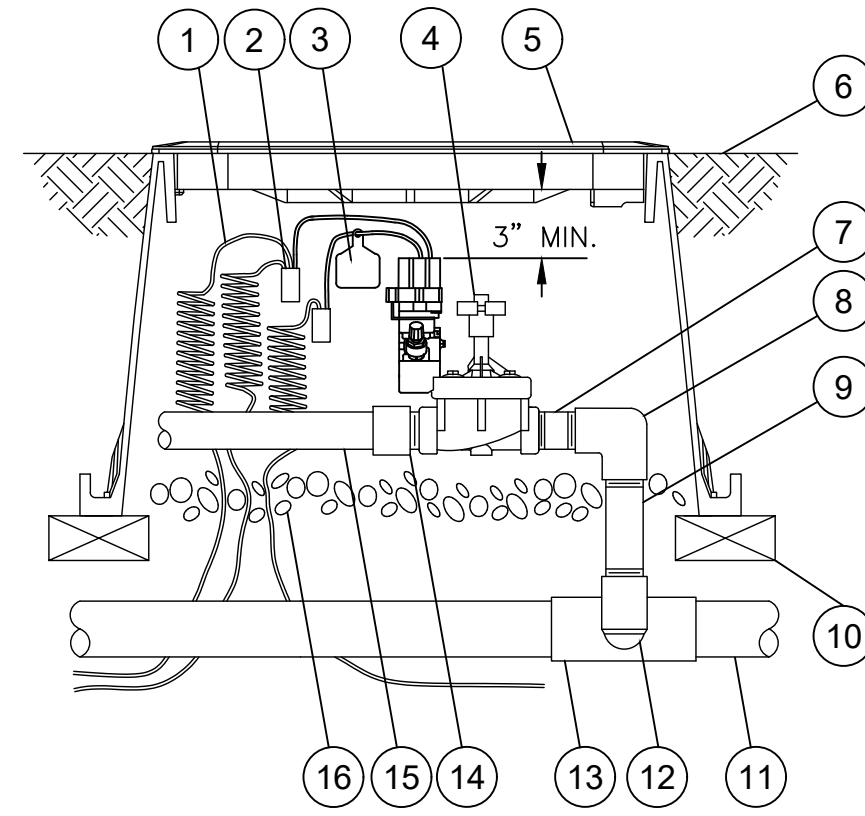
NOTE:
FURNISH FITTINGS AND PIPING NOMINALLY SIZED IDENTICAL TO
NOMINAL QUICK COUPLING VALVE INLET SIZE.



- 1 FINISH GRADE/TOP OF MULCH
- 2 QUICK-COUPLING VALVE:
RAIN BIRD MODEL 33DRC
- 3 VALVE BOX WITH COVER
- 4 PVC SCH 80 NIPPLE
(LENGTH AS REQUIRED)
- 5 3-INCH MINIMUM DEPTH OF
3/4-INCH WASHED GRAVEL
- 6 BRICK (1 OF 2)
- 7 PVC SCH 40 STREET ELL
- 8 PVC SCH 40 TEE OR ELL
- 9 PVC MAINLINE PIPE
- 10 PVC SCH 40 ELL
- 11 24" x 1/2" STEEL REBAR WITH
(2) STAINLESS STEEL GEAR
CLAMPS OR EQUIVALENT
SUPPORT SYSTEM

1 QUICK COUPLING VALVE

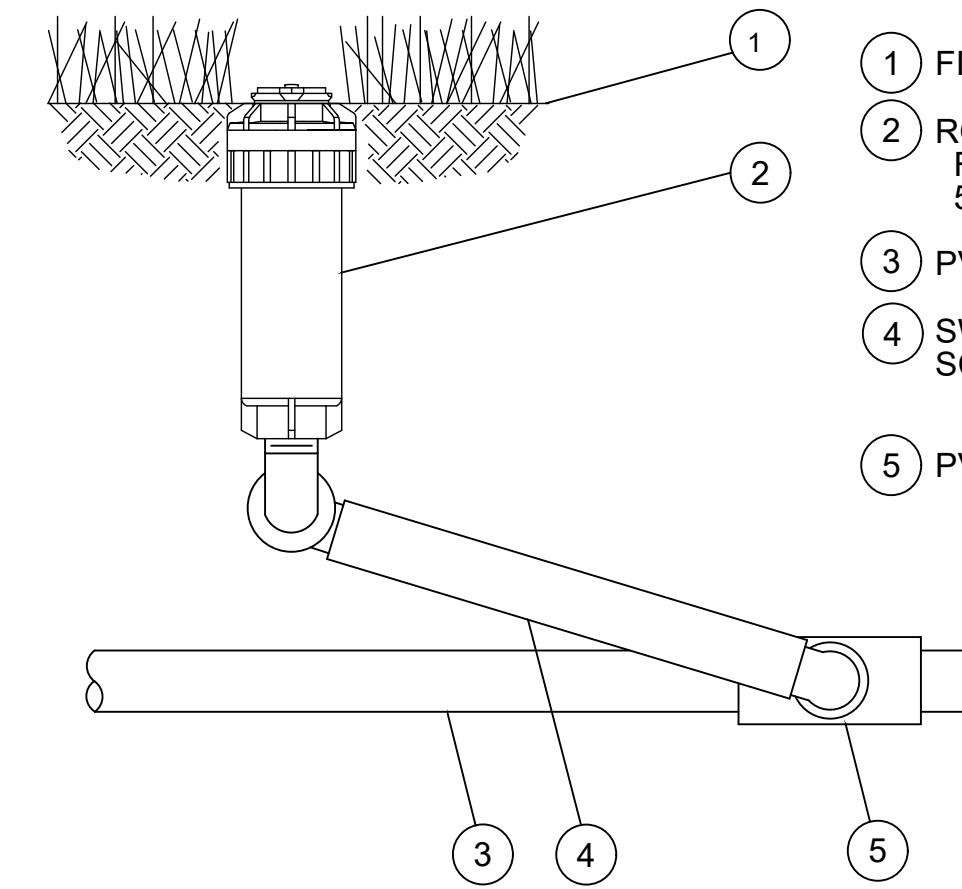
102 SCALE: N.T.S. MODEL 33DRC SERIES



- 1 30-INCH LINEAR LENGTH OF
WIRE, COILED
- 2 WATERPROOF CONNECTION
RAIN BIRD SPLICE-1 (1 OF 2)
- 3 ID TAG: RAIN BIRD VID SERIES
- 4 REMOTE CONTROL VALVE:
RAIN BIRD PEB-PRS-D
- 5 VALVE BOX WITH COVER:
RAIN BIRD VB-STD
- 6 FINISH GRADE/TOP OF MULCH
- 7 PVC SCH 80 NIPPLE (CLOSE)
- 8 PVC SCH 40 ELL
- 9 PVC SCH 80 NIPPLE
(LENGTH AS REQUIRED)
- 10 BRICK (1 OF 4)
- 11 PVC MAINLINE PIPE
- 12 SCH 80 NIPPLE (2-INCH
LENGTH, HIDDEN) AND
SCH 40 ELL
- 13 PVC SCH 40 TEE OR ELL
- 14 PVC SCH 40 MALE ADAPTER
- 15 PVC LATERAL PIPE
- 16 3.0-INCH MINIMUM DEPTH OF
3/4-INCH WASHED GRAVEL

2 ELECTRIC REMOTE-CONTROL VALVE

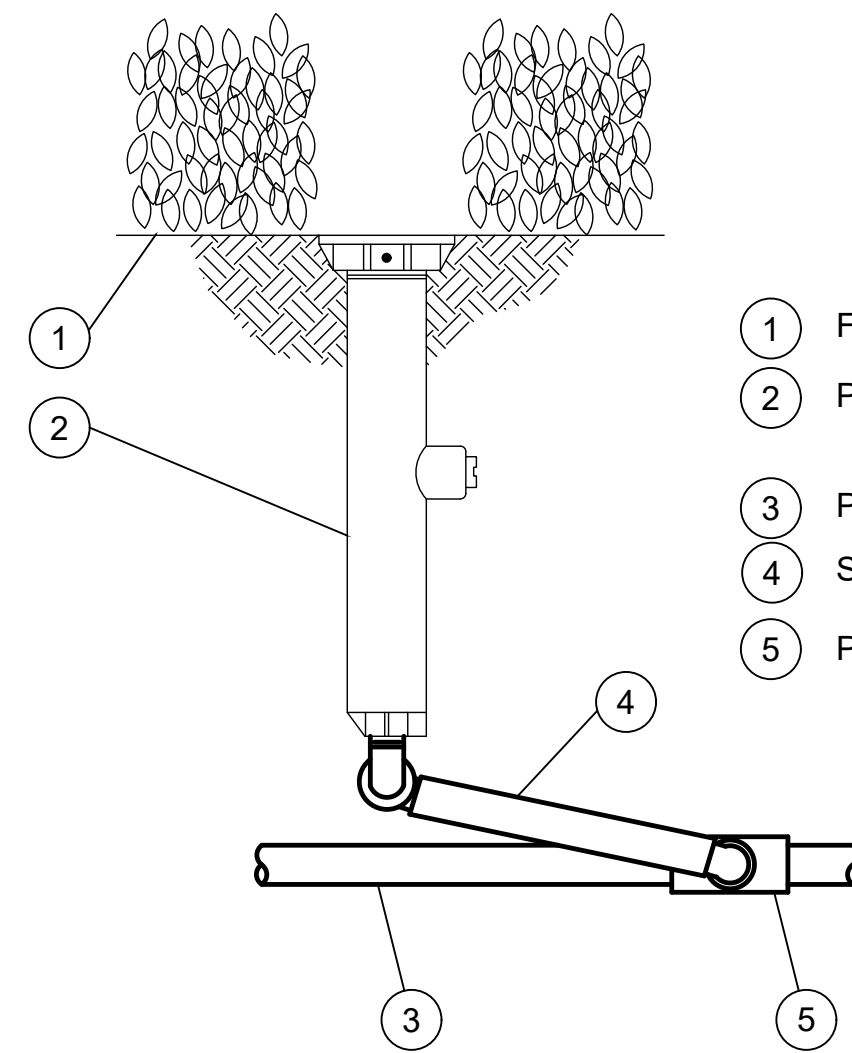
102 SCALE: N.T.S. PEB OR PESB SERIES



- 1 FINISH GRADE
- 2 ROTOR POP-UP SPRINKLER:
RAIN BIRD
5004-PL-FC/PC
- 3 PVC LATERAL PIPE
- 4 SWING JOINT ASSEMBLY:
SCHEND. 40
- 5 PVC SCH 40 TEE OR ELL

3 ROTOR POP-UP SPRINKLER

102 SCALE: N.T.S. 5004 PLUS



- 1 FINISH GRADE/TOP OF MULCH
- 2 POP-UP SPRAY SPRINKLER:
RAIN BIRD 1806 WITH 1800 VPC
WITH RAIN BIRD ROTARY NOZZLE
- 3 PVC LATERAL PIPE
- 4 SWING ASSEMBLY:
RAIN BIRD MODEL SA 6050
- 5 PVC SCH 40 TEE OR ELL

4 POP-UP SPRAY SPRINKLER

102 SCALE: N.T.S. 1806 WITH SWING PIPE



PAVING, LANDSCAPE, AND UTILITIES DRAWINGS FOR
STRYKER SPORTS
WICHITA, KANSAS

©2018
MKEC Engineering
All Rights Reserved
www.mkec.com
These drawings and their contents,
including, but not limited to, all concepts,
designs, & ideas are the exclusive
property of MKEC Engineering (MKEC),
and may not be used or reproduced in any
way without the express consent of MKEC.

**IRRIGATION
DETAILS**

PROJECT NO.	1701010567	
DATE	05-02-18	
SCALE	NTS	
DESIGNED	DRAWN	CHECKED
JLE	JLE	DHC
0	ISSUED FOR CONST.	05-02-18
NO.	REVISION	DATE

