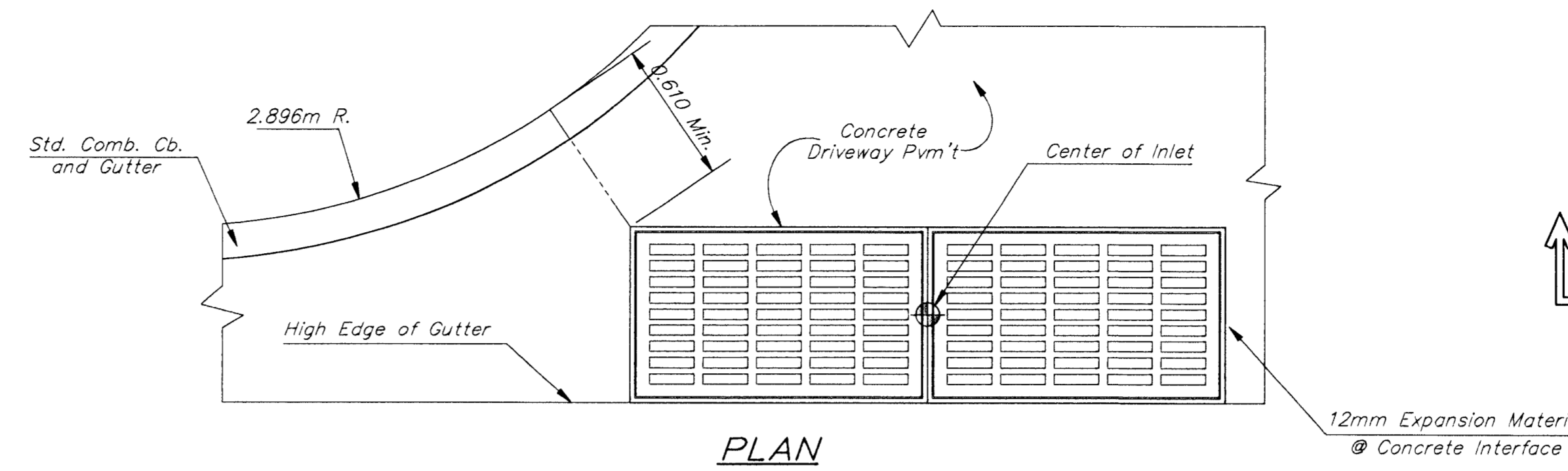
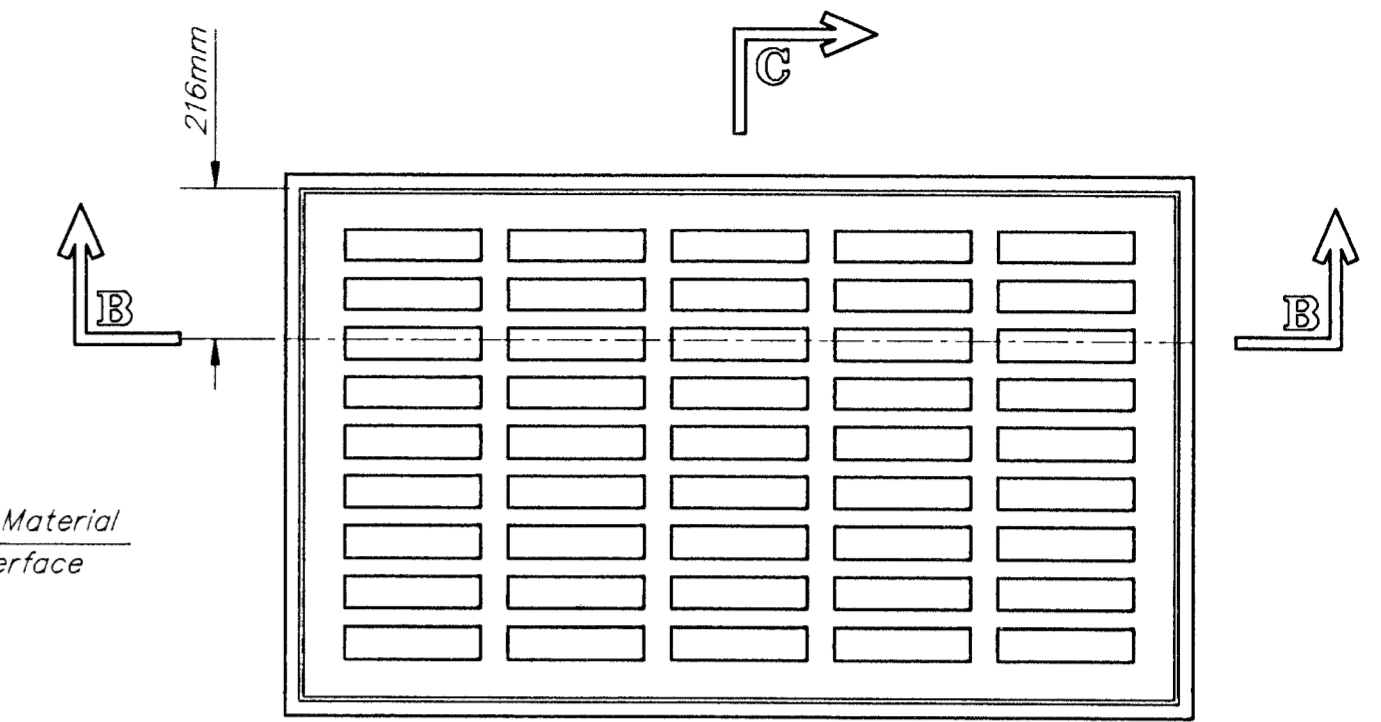


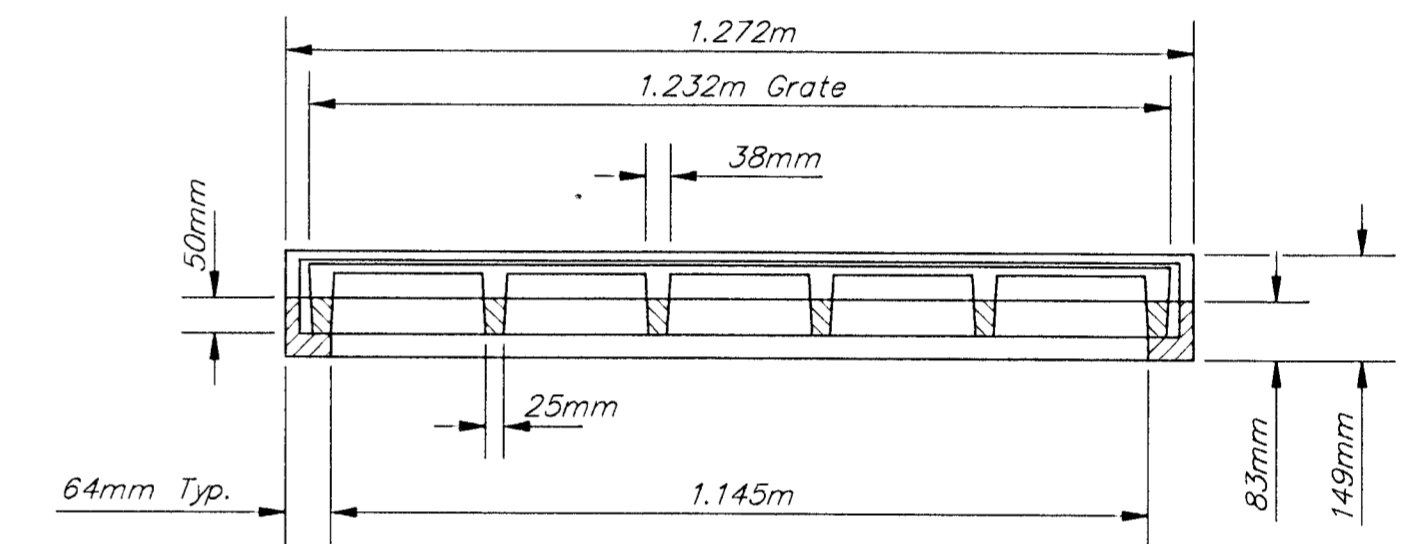
SECTION B-B



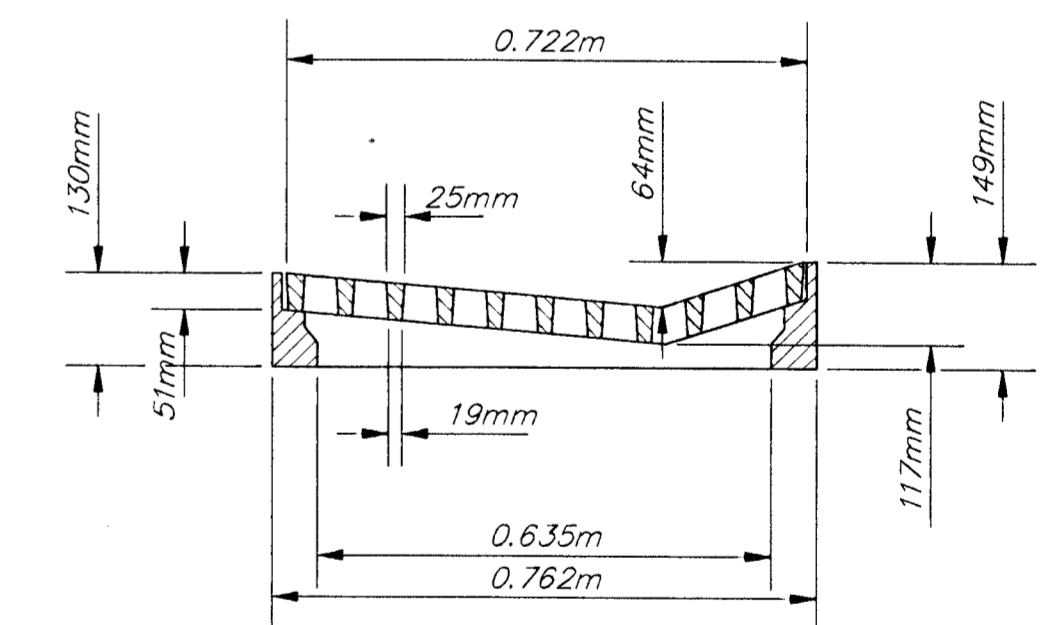
PLAN



PLAN



SECTION B-B



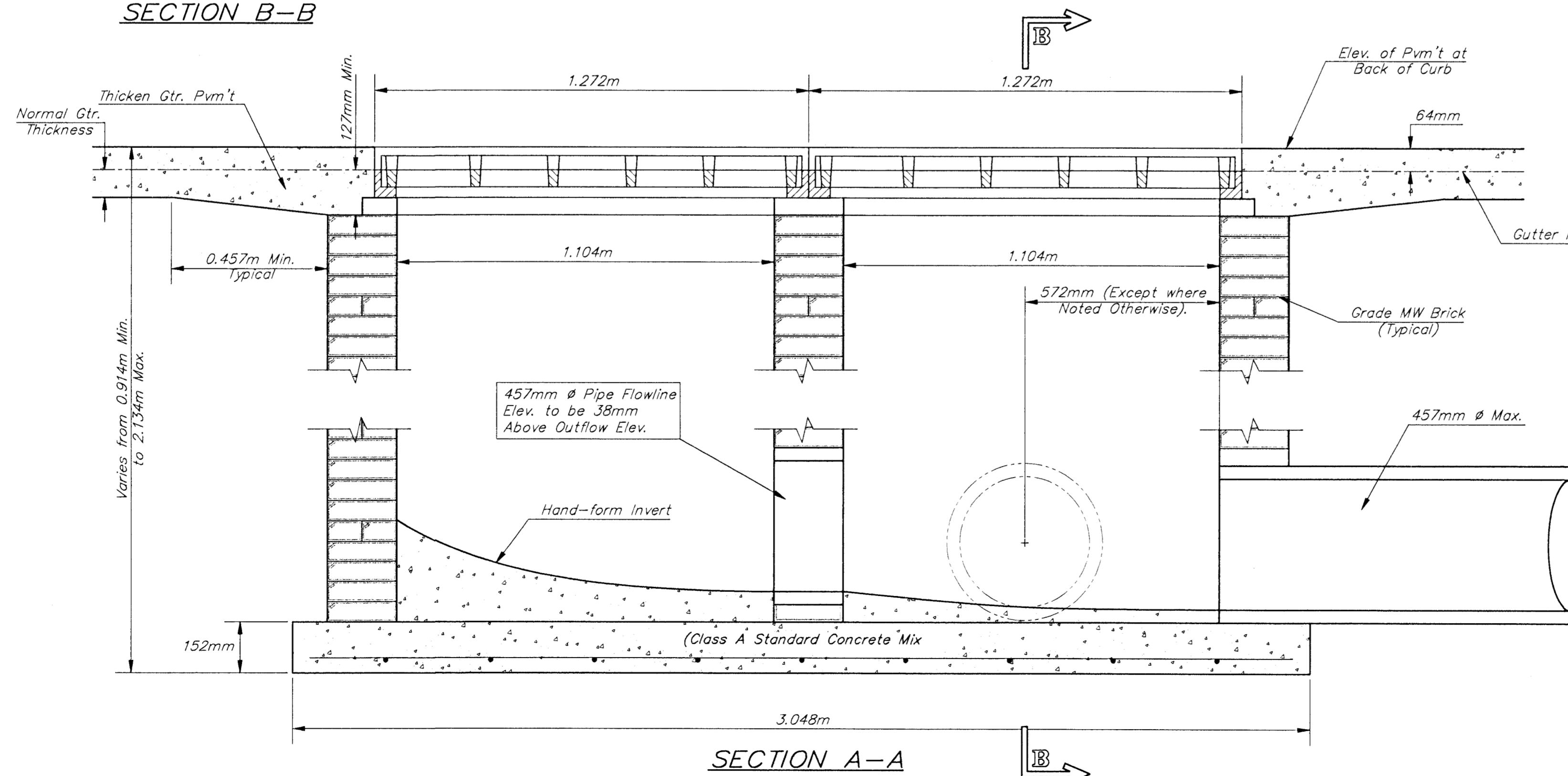
SECTION C-C

DEETER #2095 FRAME & GRATE

TOTAL WEIGHT: 319.78 kg.  
(2 Each Required)

GENERAL NOTES

1. Grate frame shall be bordered with 12mm Expansion Material where frame abuts concrete pavement.
2. Grate frames to be installed on thin mortar cushion to insure full support along brick walls. Concrete used for inlet construction shall be concrete pavement mix.
3. Inlet invert shall be shaped with Class A or commercial grade concrete to create flow channels and to increase hydraulic efficiency such that the inlet will be self cleaning between all inlet and/or outlet pipes.
4. The ends of all pipes installed in inlets shall be cut off flush with the inside face of the inlet wall.
5. Inlet Frames and Grates to be two (2) Deeter #2095 or approved equal.
6. The Bid Item "Inlet (Gutter)(Special)" shall **INCLUDE** all material, castings, excavation, backfill, equipment, tools, and all other incidentals necessary to install the inlet complete and in place.
7. See Pavement Underdrain Detail Sheet \_\_\_\_\_.



SECTION A-A

PROJECT NUMBER 472-82908		PROJ NUMBER 472-82908	
DESIGN STAFF	DRAWN STAFF	APPROVED JFB	DATE NOV 98
		SCALE NONE	DIRECTORY entzoo.sws
			SHEET NAME mdrln12

STANDARD DOUBLE-WIDTH  
**INLET (GUTTER)(SPECIAL)**  
STANDARD DETAIL

**BAUGHMAN COMPANY P.A.**  
ENGINEERING, SURVEYING, & PLANNING  
315-282-7271 • 315 ELLIS • WICHITA, KANSAS 67211