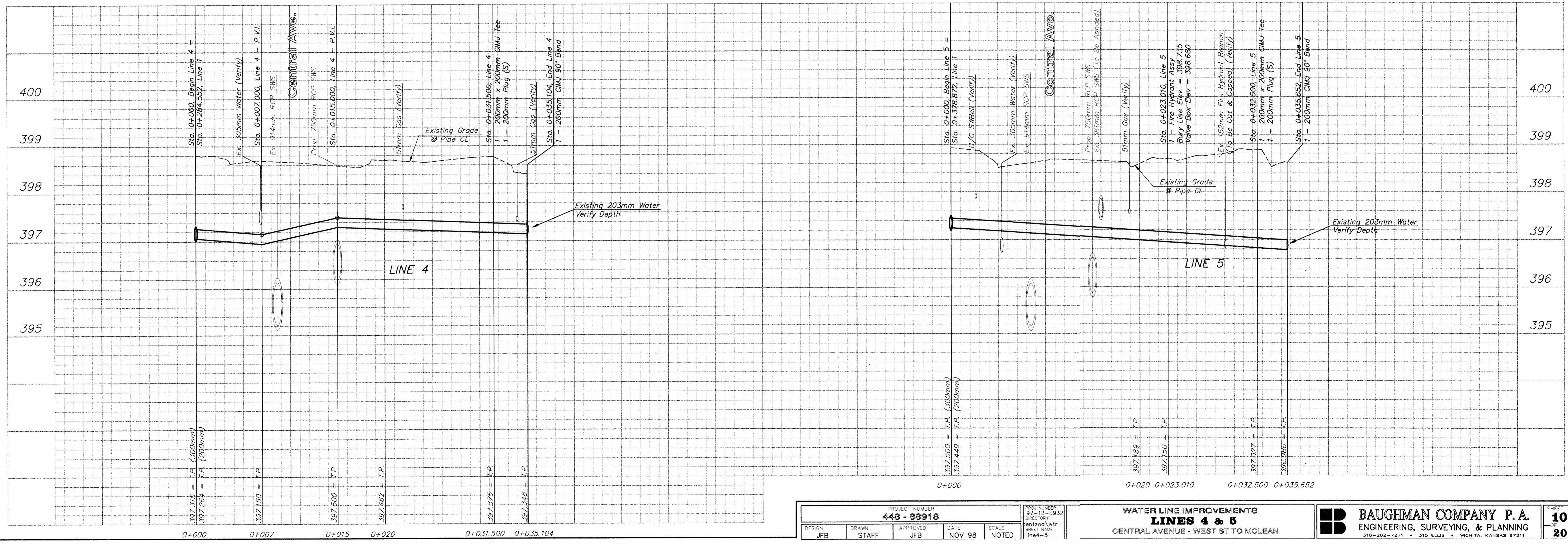
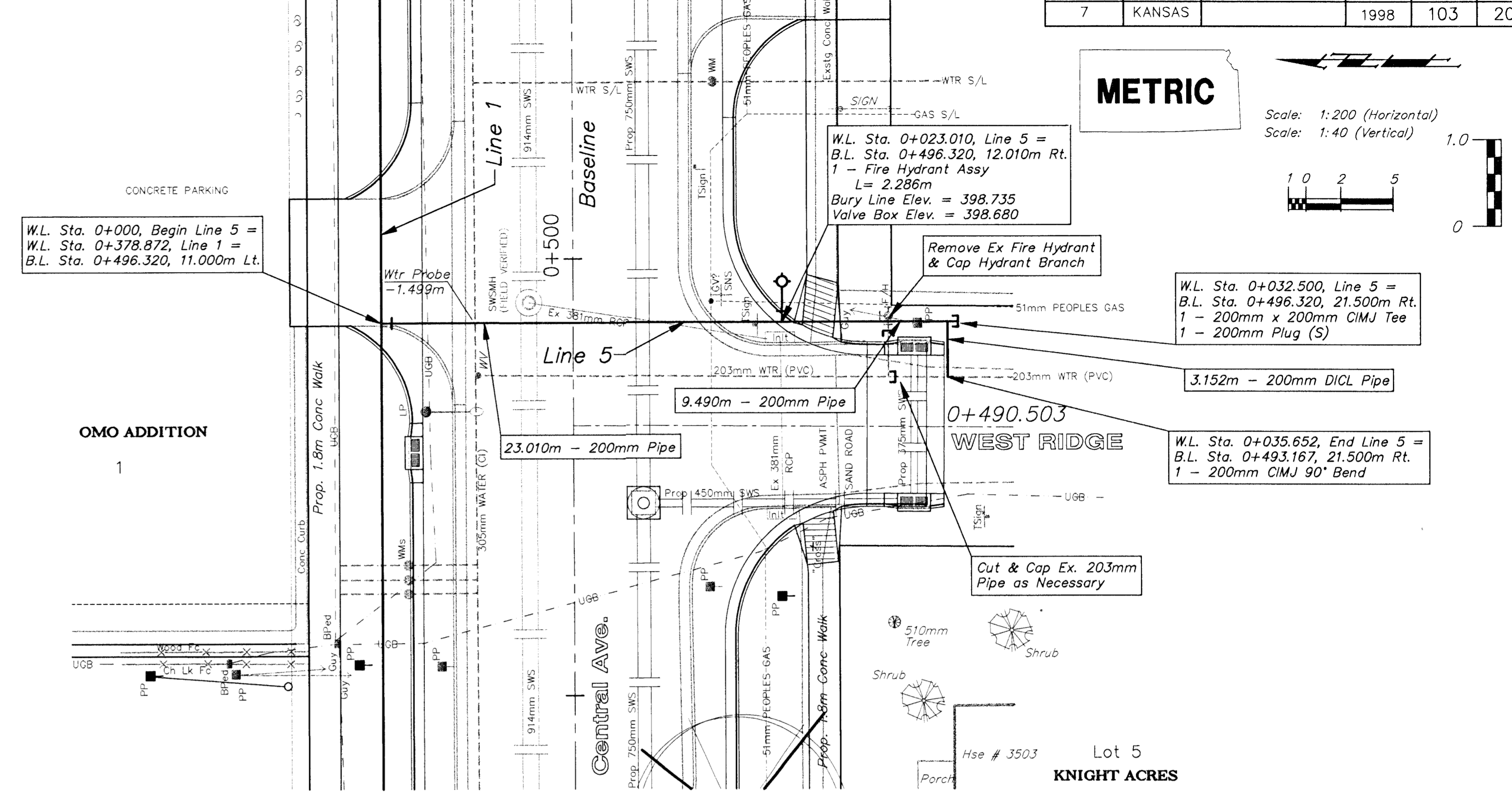
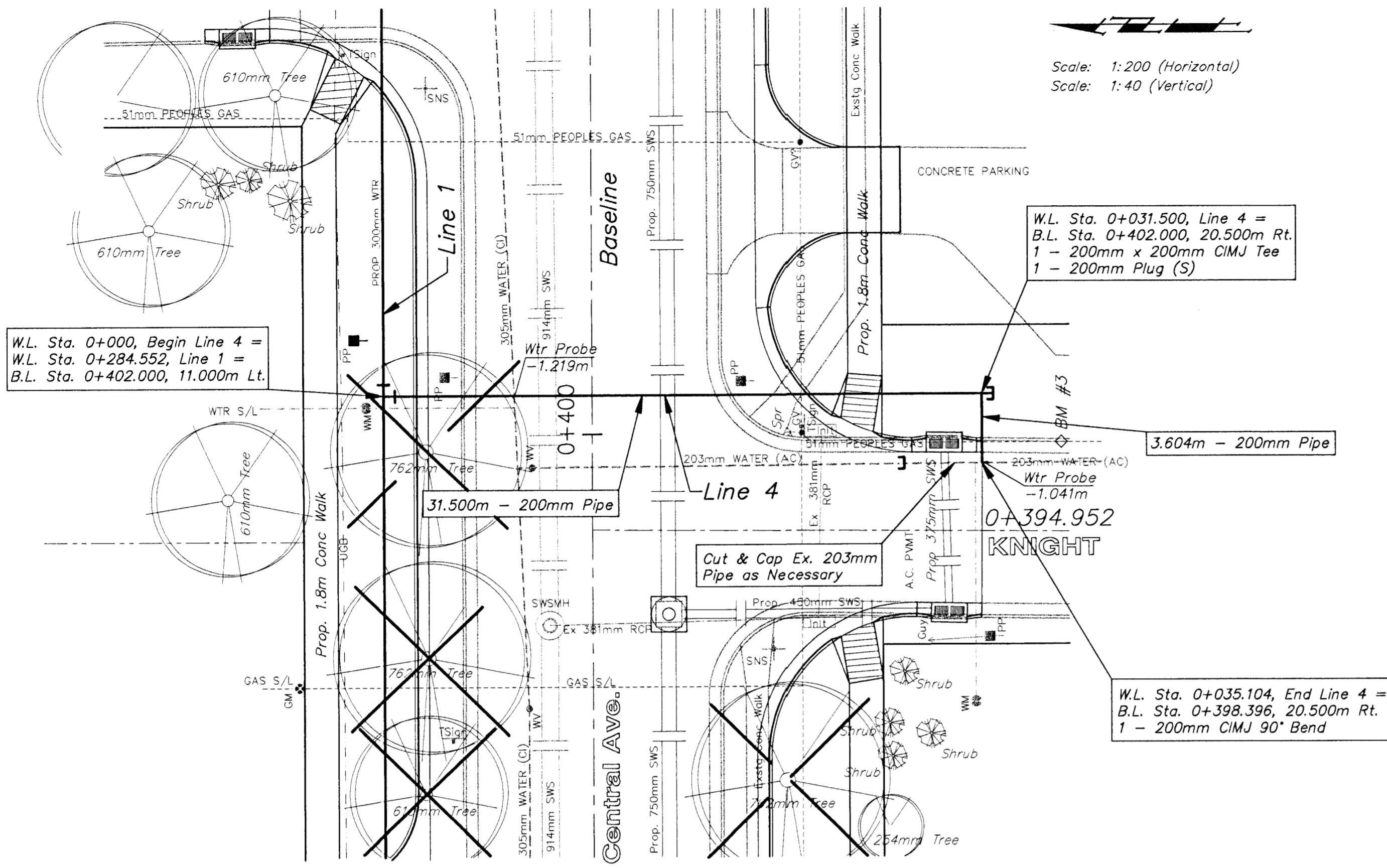
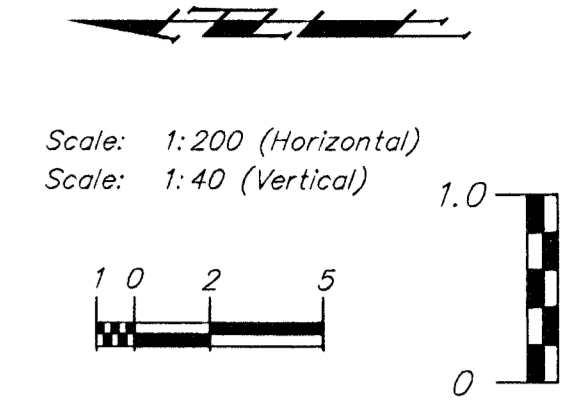


**METRIC**



PROJECT NUMBER <b>448 - 88918</b>		PROJECT NUMBER 97-12-1932 DIRECTOR SANTOZIO WTR SHEET NAME line4-5	
DESIGN JFB	DRAWN STAFF	APPROVED JFB	DATE NOV 98
SCALE NOTED		SCALE NOTED	

**WATER LINE IMPROVEMENTS  
LINES 4 & 5  
CENTRAL AVENUE - WEST ST TO MCLEAN**

**BAUGHMAN COMPANY P. A.**  
ENGINEERING, SURVEYING, & PLANNING  
318-282-7271 • 315 ELLIS • WICHITA, KANSAS 67211

SHEET **103** OF **202**