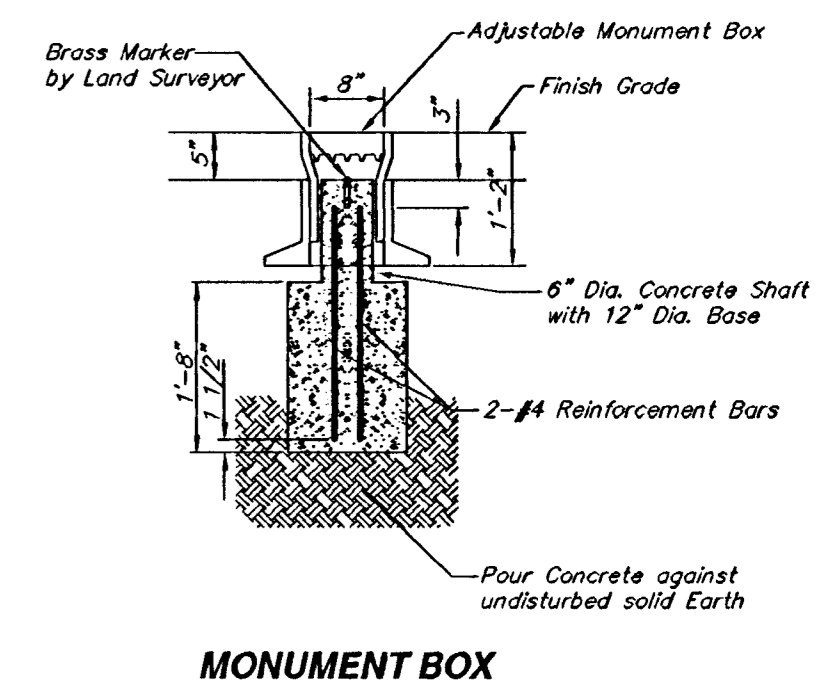
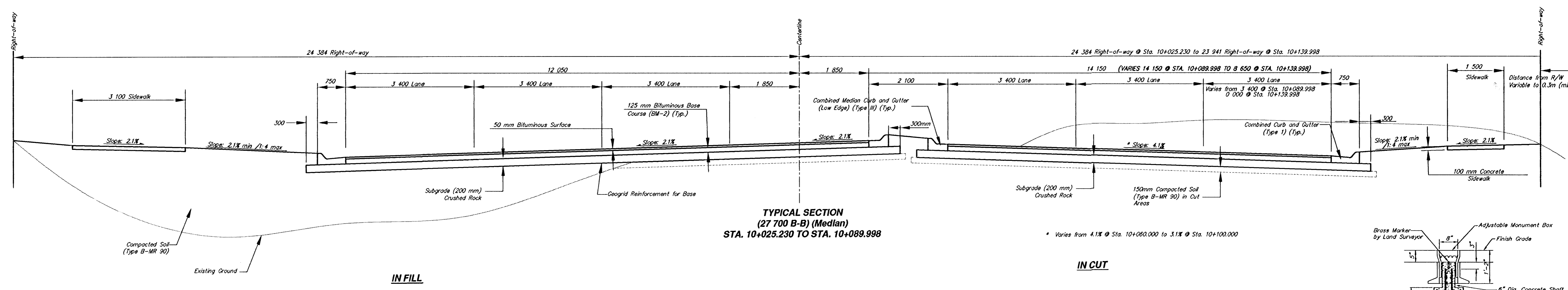
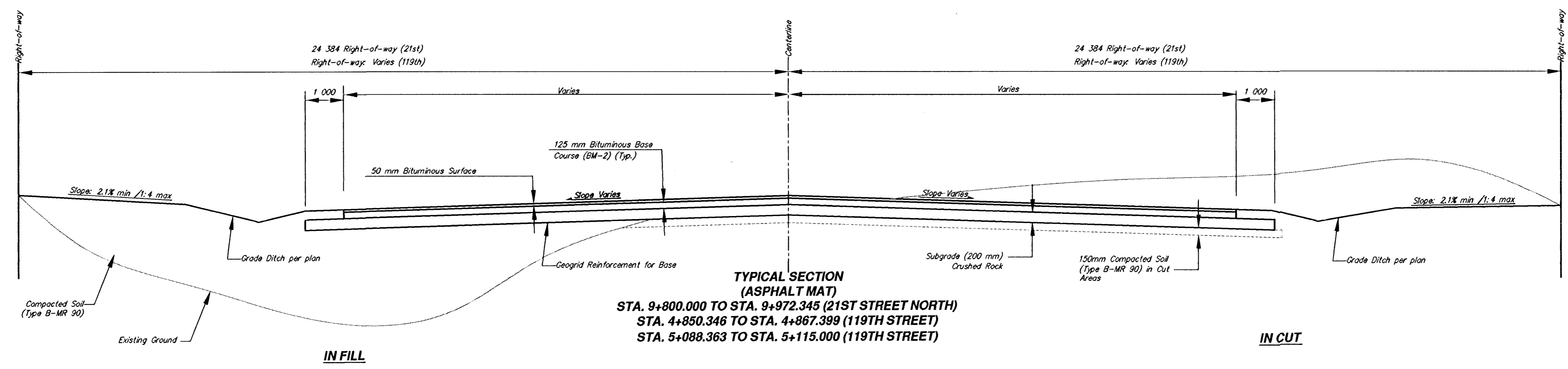


FHWA REGION NO.	STATE	PROJECT NUMBER	FISCAL YEAR	SHEET NUMBER	TOTAL SHEETS
7	KANSAS	87N-0127-01	2001	3	105

DATE	BY	REFERENCES NOTED	CHECKED



**21ST STREET NORTH
TYPICAL SECTIONS**

SRB	924 NORTH MAIN WICHITA, KANSAS 67203 www.srb.com	316-264-8008 FAX 316-264-4621 E-Mail: wsb@srb.com
SAVOY, RUGGLES & BOHM, P.A. ENGINEERING & SURVEYING		
PROJECT NUMBER 472-83138		
DRAWN TEB	DESIGN MWS	REVIEW MWS
DATE May 31, 2001	UTILITY	SPB JOB 1478T

Sectional
3
105