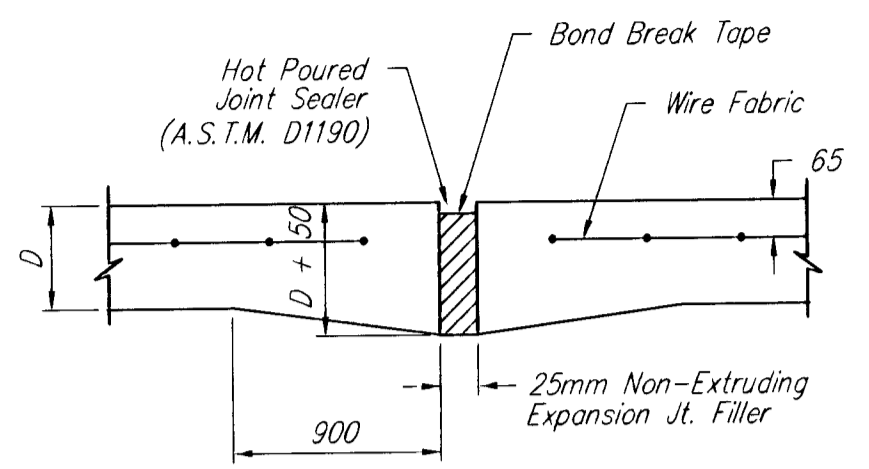


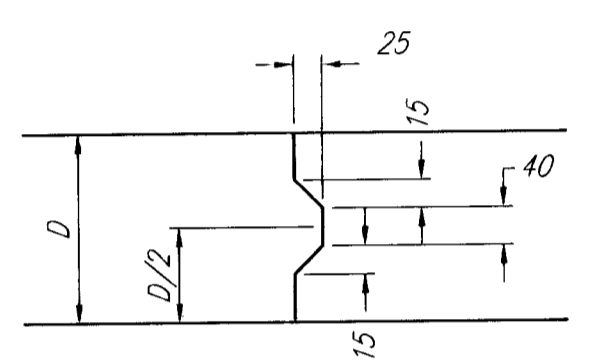
FHWA REGION NO.	STATE	PROJECT NUMBER	FISCAL YEAR	SHEET NUMBER	TOTAL SHEETS
7	KANSAS	87 N-0189-01	2001	28	105

DATE	BY	REFERENCES NOTED	REFERENCES CHECKED

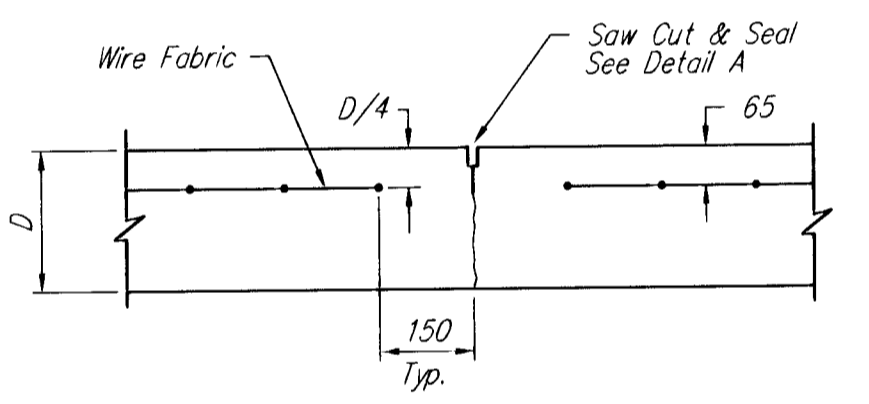


EXPANSION JOINT

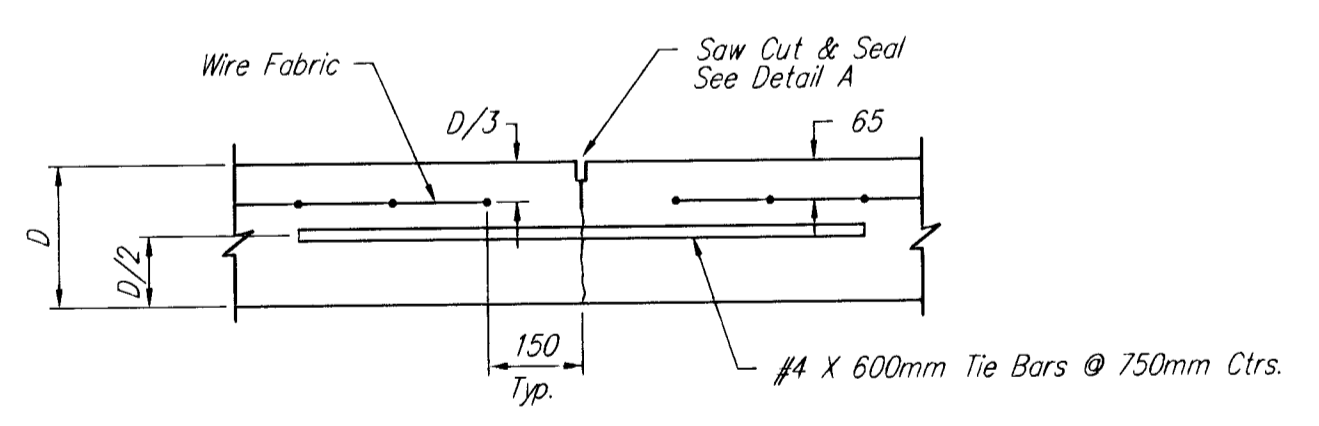
NOTE: Extra Thickness to be Subsidiary to Price of Square Meters Pavement



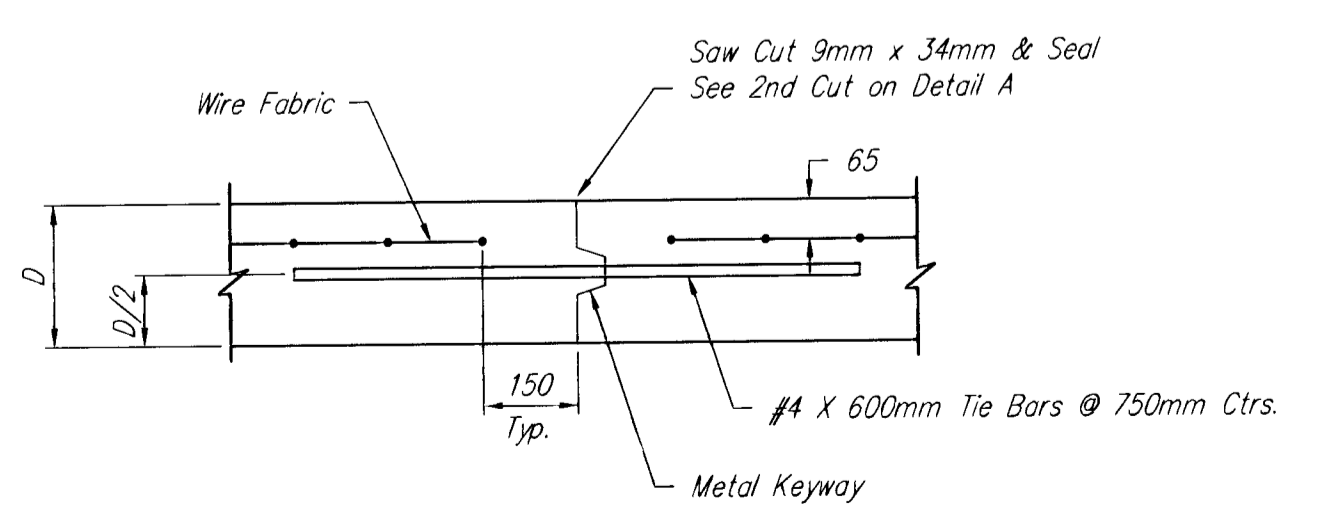
KEYWAY DETAIL



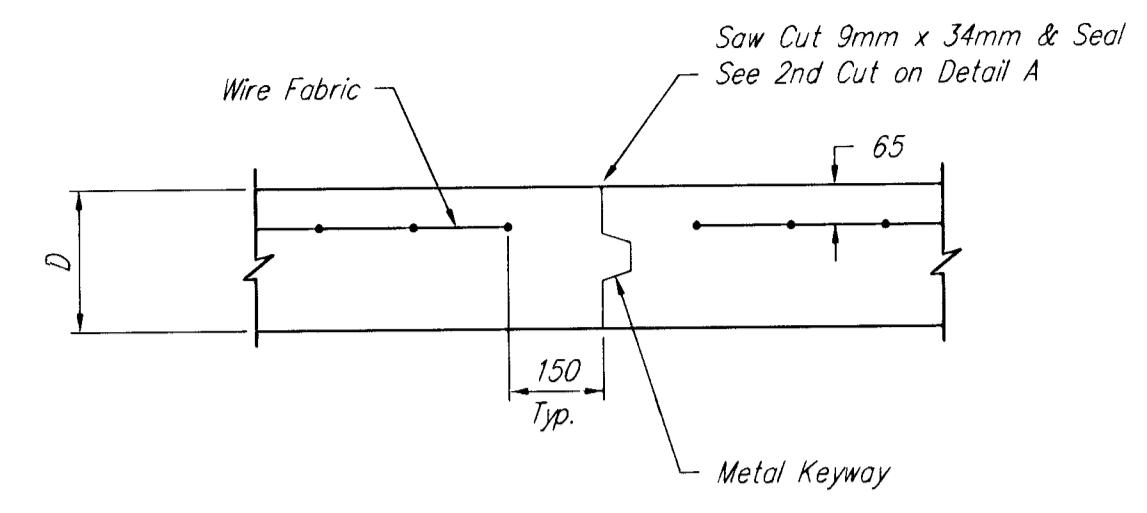
CONTRACTION JOINT DETAIL (C.J.)



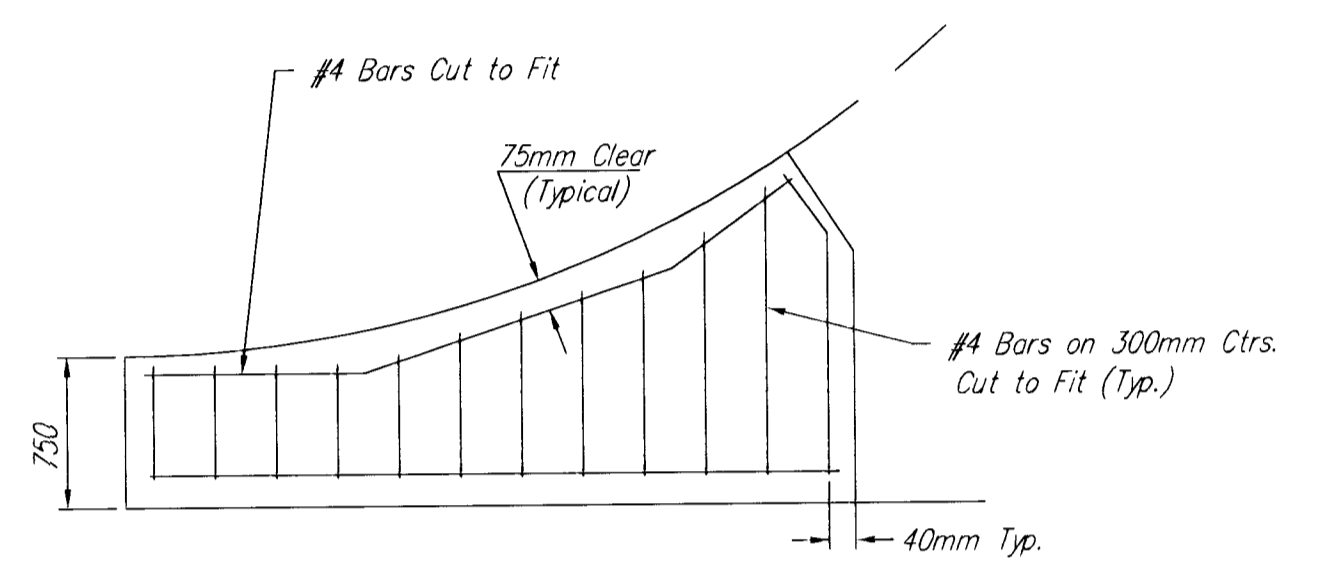
LONGITUDINAL JOINT DETAIL (L.J.)



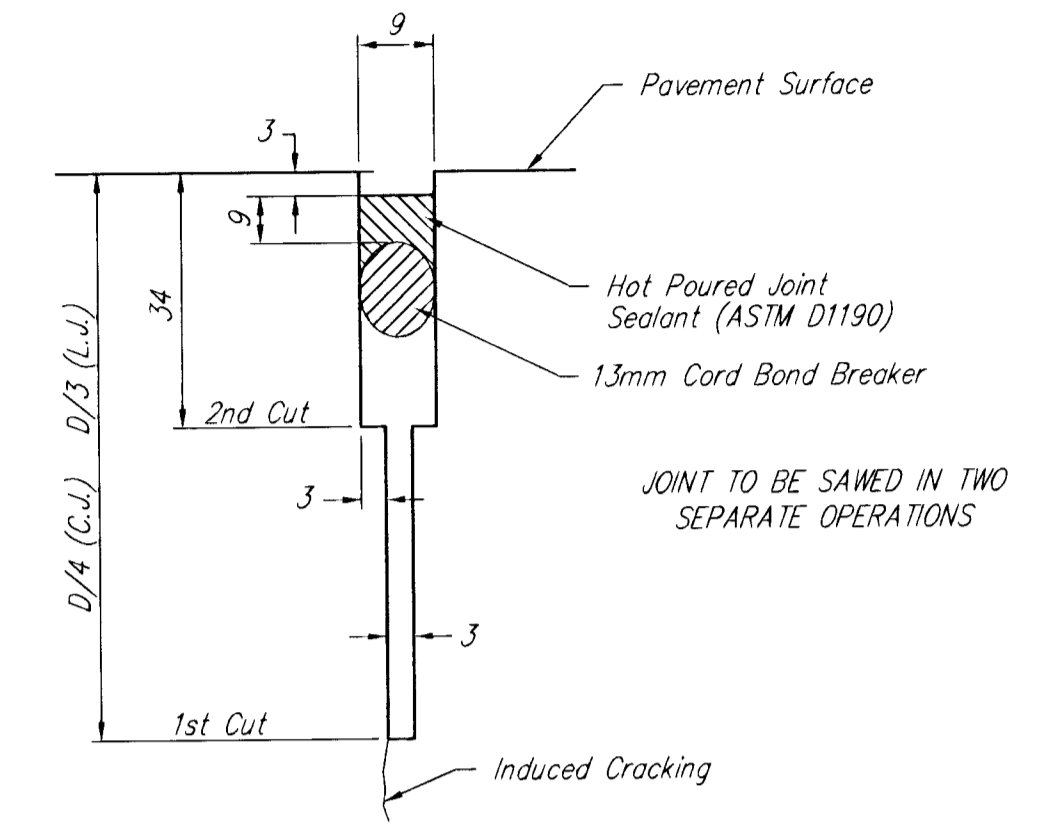
OPTIONAL LONGITUDINAL JOINT DETAIL (L.J.)



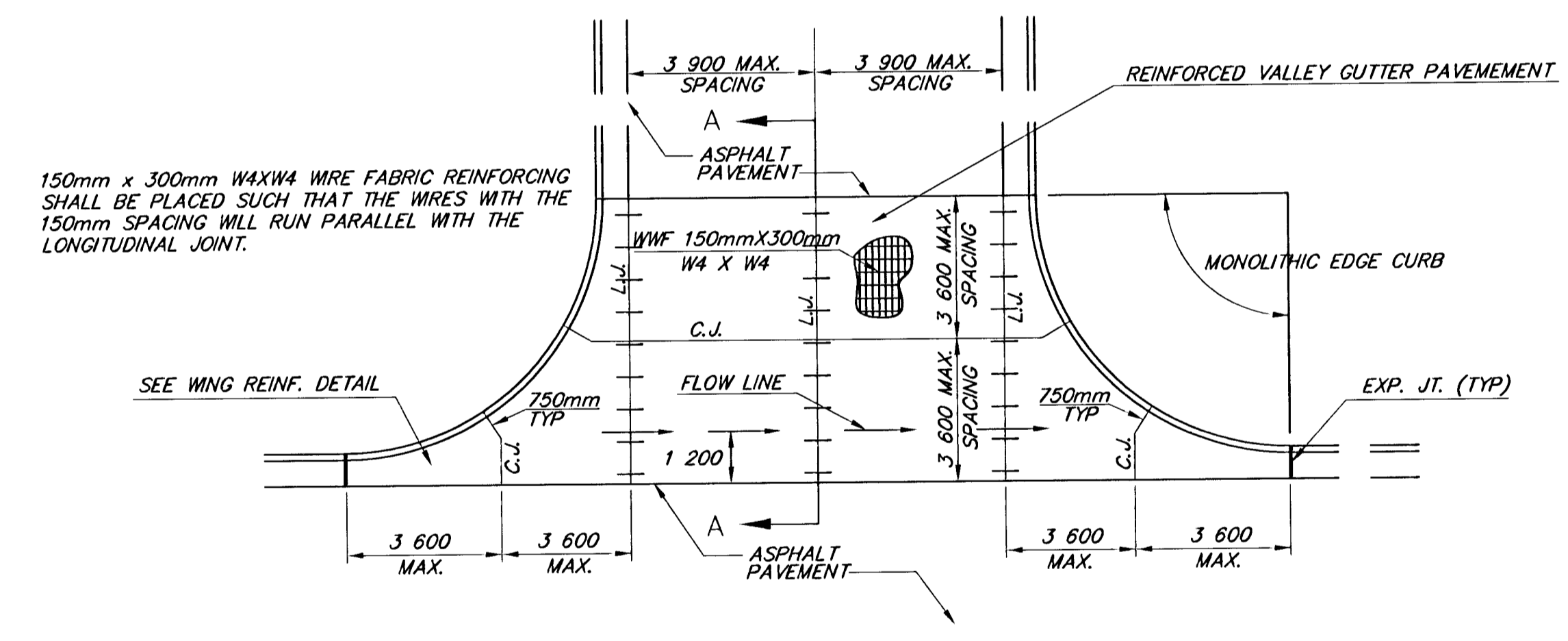
OPTIONAL CONTRACTION JOINT



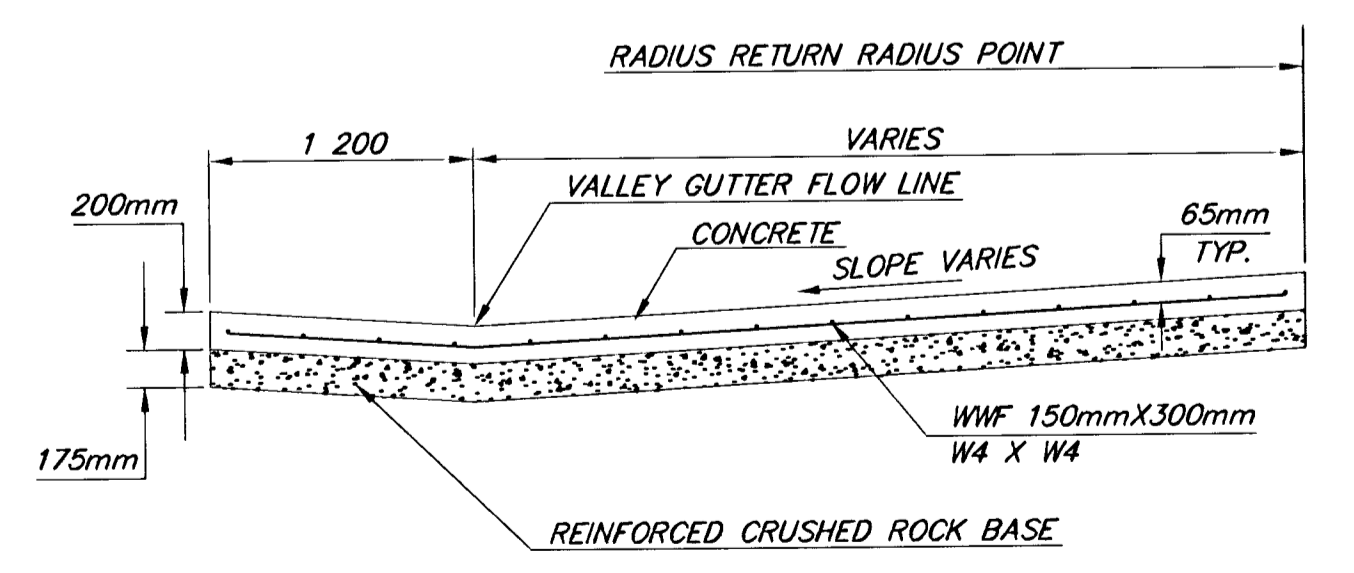
WING REINFORCING DETAIL



SAW JOINT DETAIL

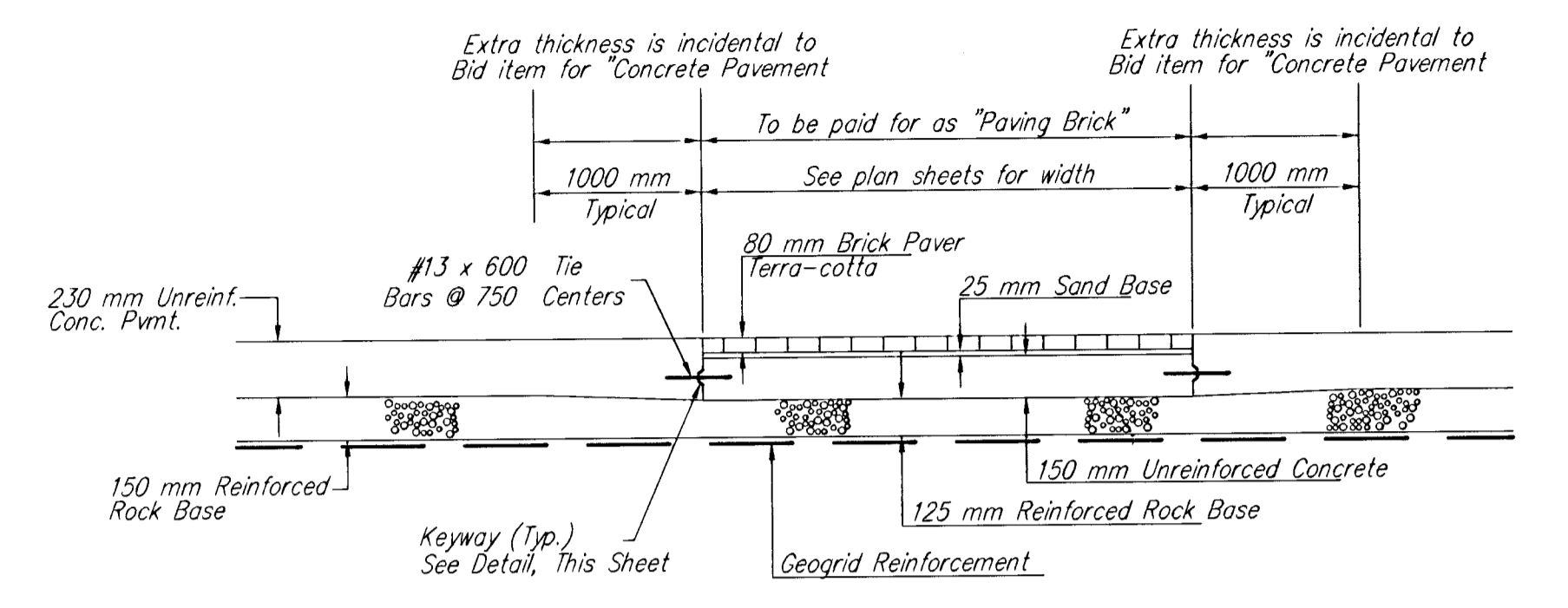


PLAN



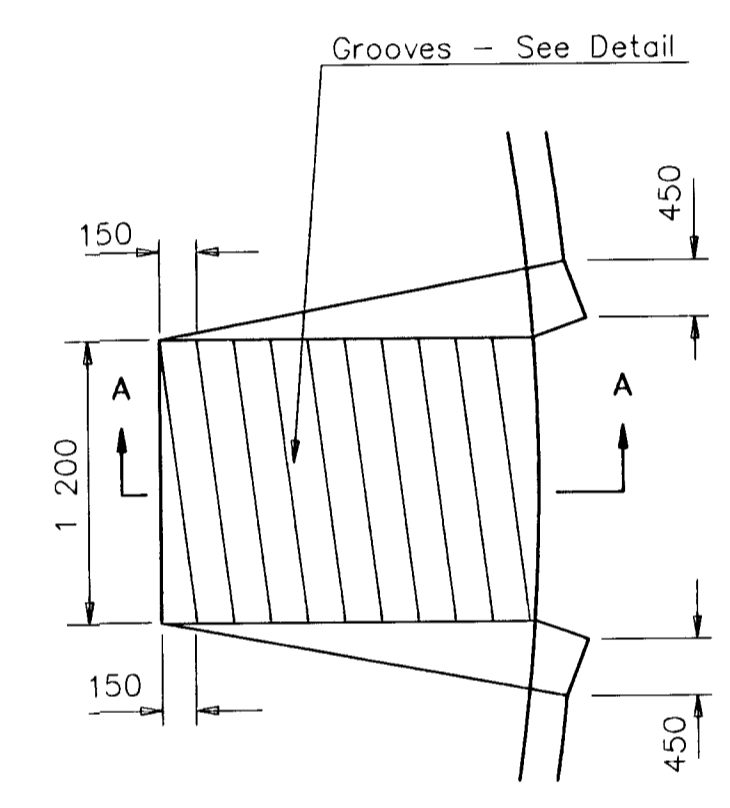
SECTION A-A

REINFORCED VALLEY GUTTER DETAIL

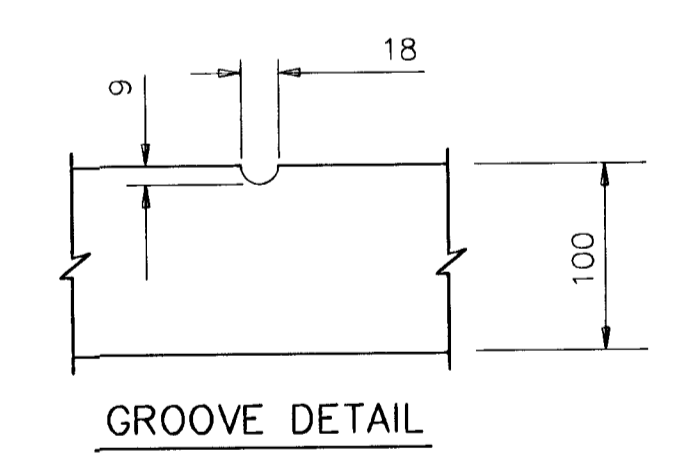


CROSSWALK BRICK PAVER SURFACE DETAIL

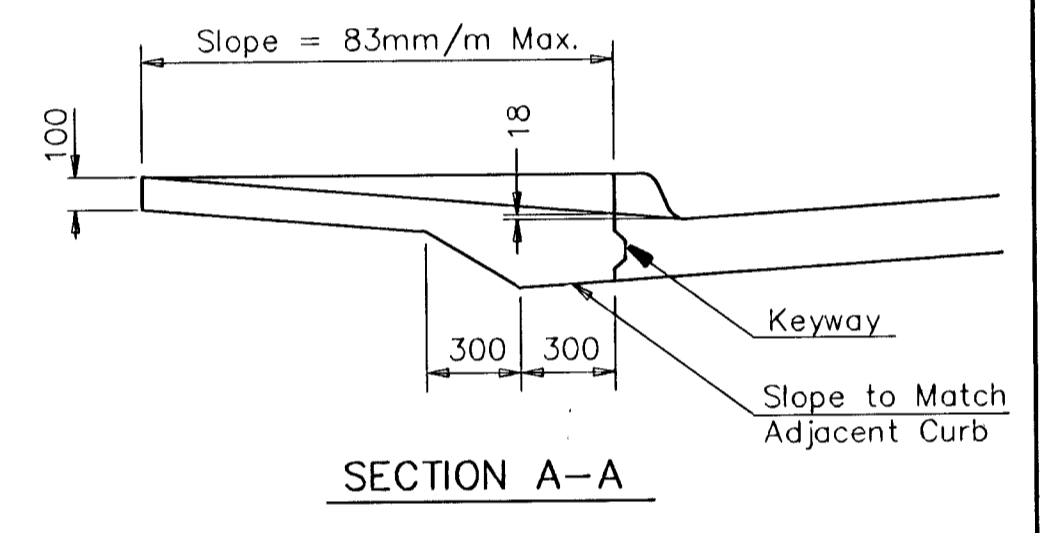
NOTE: Construction of the interlocking precast concrete paving stones shall conform to special provision 90P-3956.



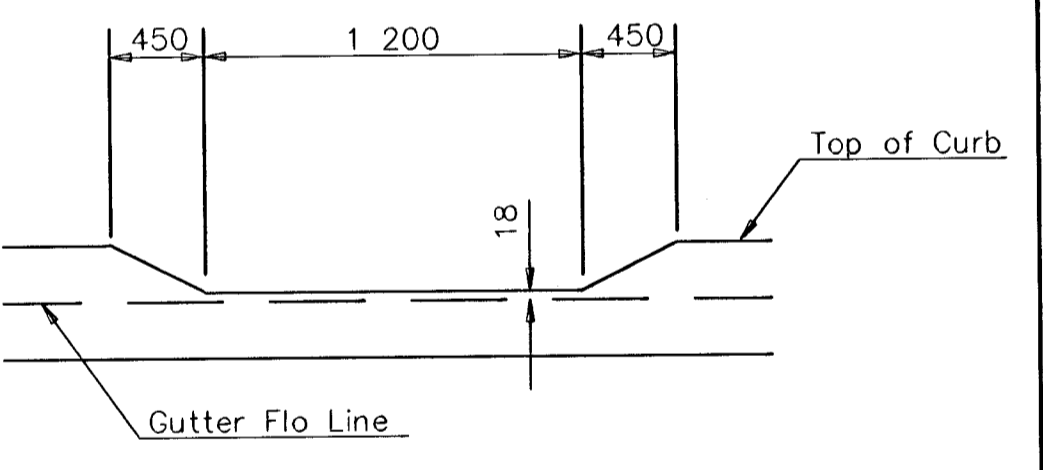
WHEELCHAIR RAMP PLAN VIEW



GROOVE DETAIL



SECTION A-A



DEPRESSED CURB DETAIL

WHEELCHAIR RAMP DETAIL

VALLEY GUTTER DETAILS WHEELCHAIR RAMP DETAILS					
	224 NORTH MAIN	316-284-8008	REVISED		
	WICHITA, KANSAS 67203	FA# 284-4921	28		
SAVOY, RUGGLES & BOHM, P. A. ENGINEERING & SURVEYING		PROJECT NUMBER 472-83138			
DRAWN 	DESIGN 	REVIEW 	DATE 	UTILITY 	SRB JOB 1478T