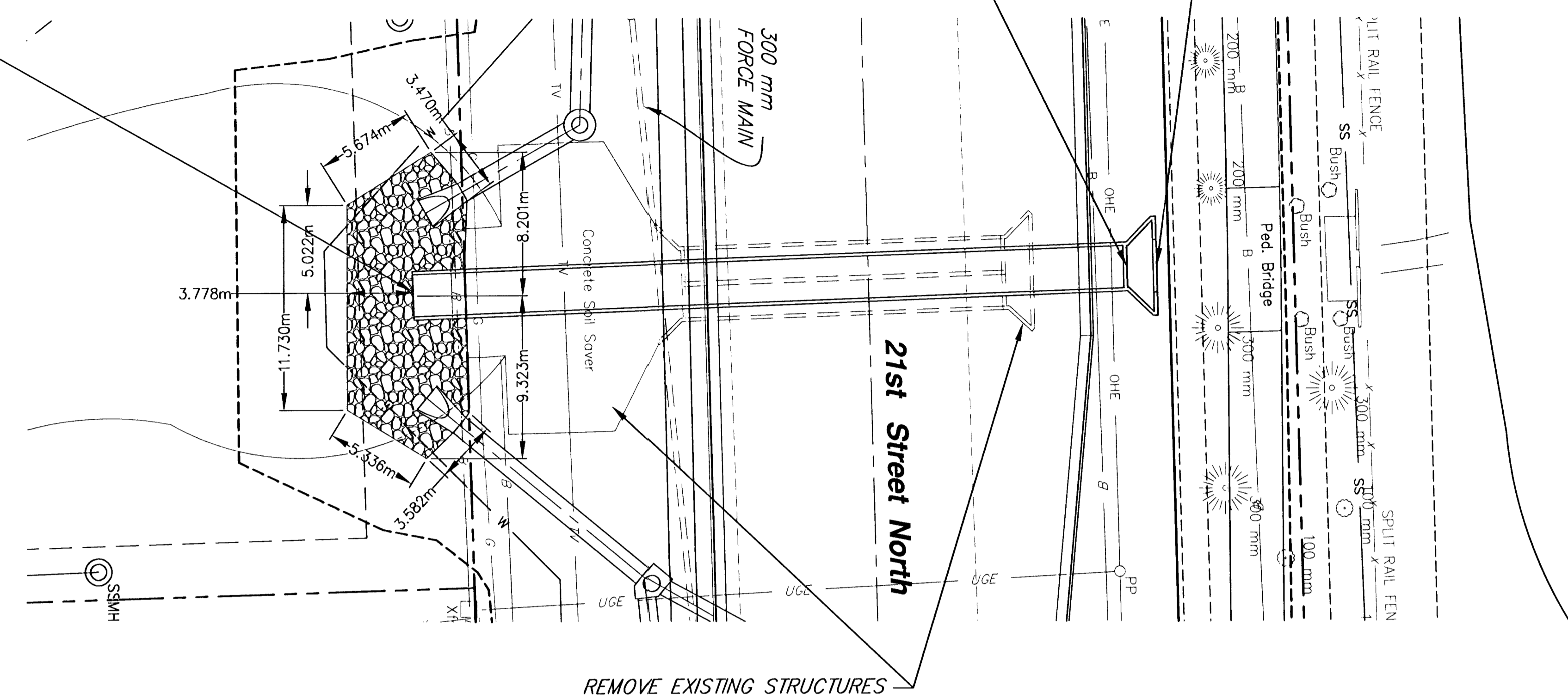


FHWA REGION NO.	STATE	PROJECT NUMBER	FISCAL YEAR	SHEET NUMBER	TOTAL SHEETS
7	KANSAS	87 N-0189-01	2000	39	105

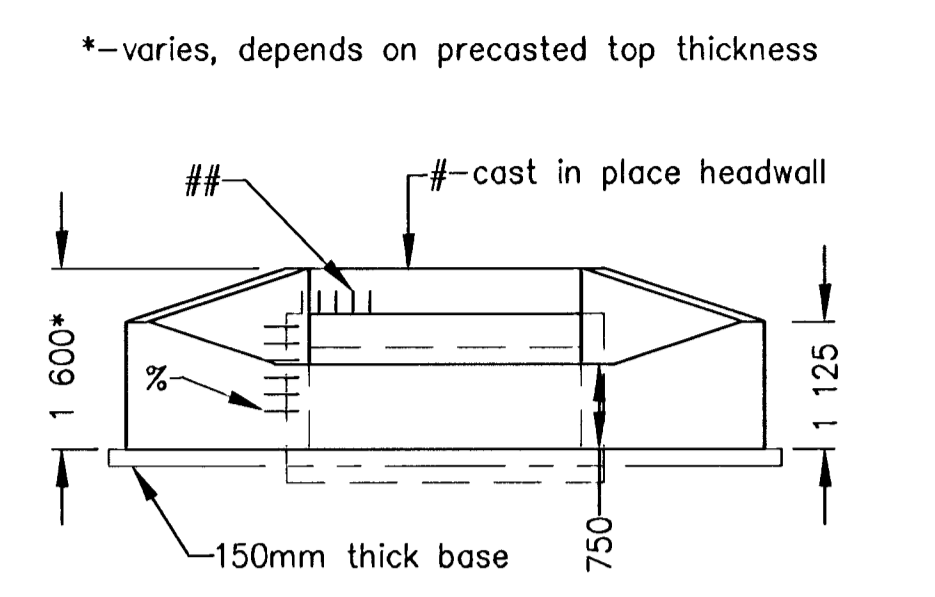
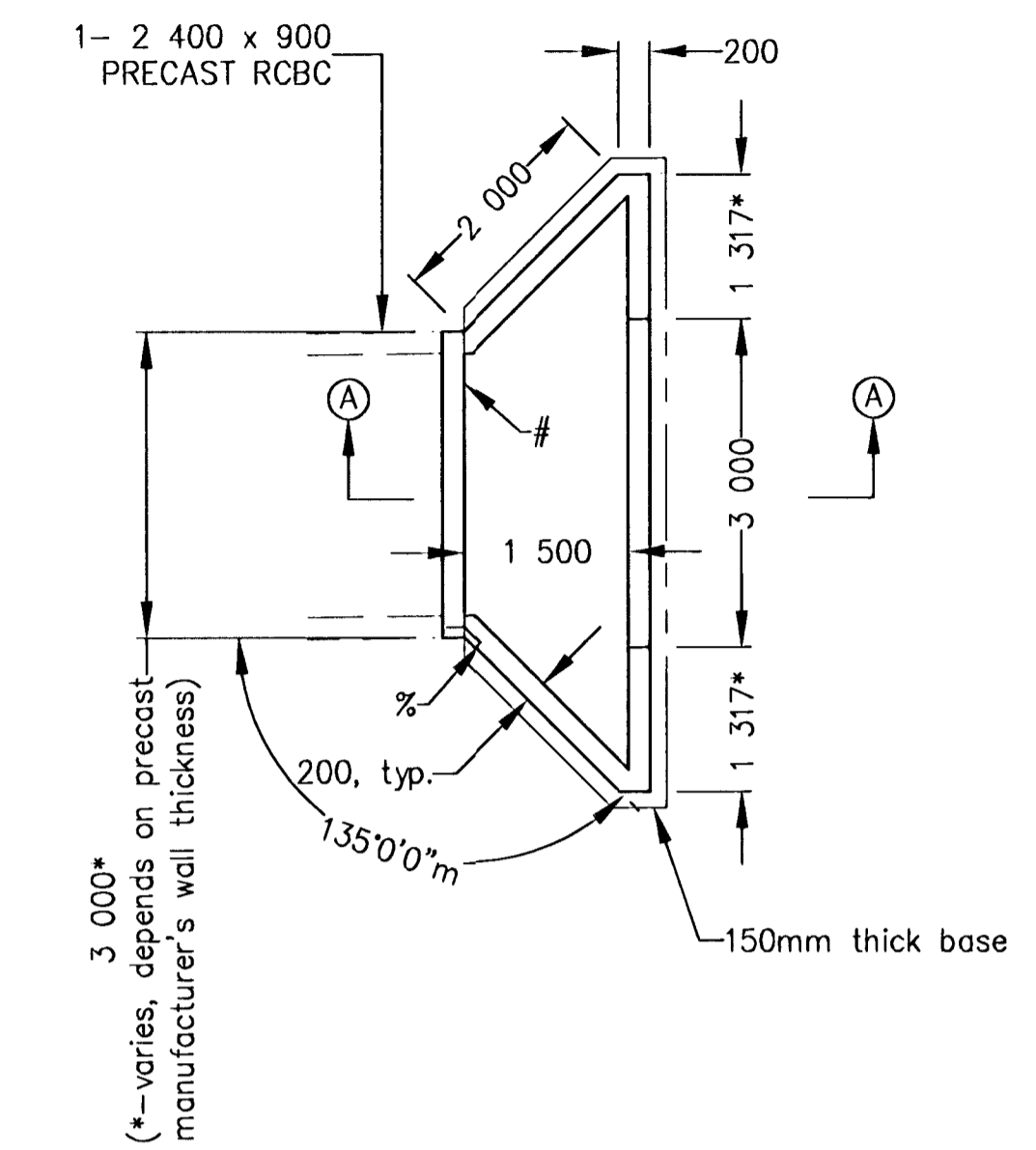
STA. 0+000, RCBC 1  
 BL STA. 10+406.605, 26.025 RT.  
 INSTALL 1-2 400 mm x 900 mm x 40.851 m PRECAST RCBC (N) WITH END SECTION  
 FL OUT (S)=410.310

STA. 0+040.851, RCBC 1  
 BL STA. 10+406.131, 14.826 LT.  
 END 2 400 mm x 900 mm PRECAST RCBC.  
 FL IN (N)=410.619  
 CONSTRUCT WEIR, SEE DETAIL THIS SHEET.

STA. 0+042.551, RCBC 1  
 BL STA. 10+406.111, 16.526 LT.  
 END WEIR  
 FL IN=411.469



WEIR DETAIL



Precast manufacturer to supply:  
 #13 bars at 150mm O.C. out the top  
 #13 bars at 150mm O.C. from the ends of the rcbc along the two sides and the bottom.

General Notes

All reinforcing in the weir construction shall be 13 bars at 150mm on-centers, each way, in the base, the walls and the headwall. Tie into the bars supplied by the precast manufacturer. Bars shall be located 50mm from outside face of walls (dirt side).

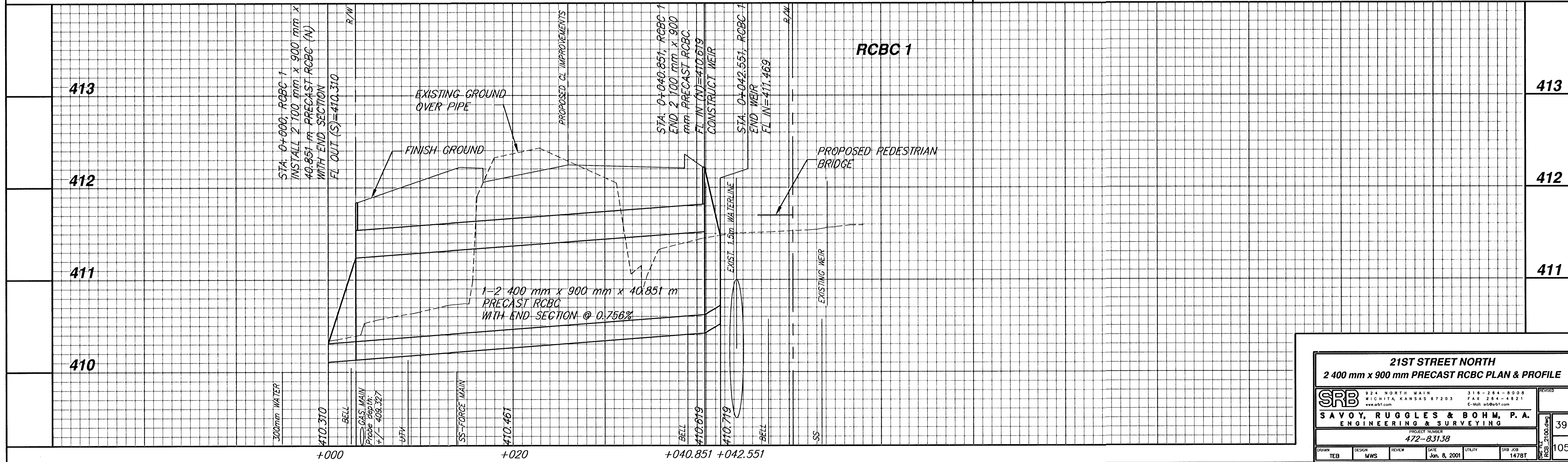
All dimensions given are 'mm', unless noted otherwise.

Backfill thoroughly around weir, especially on the side of the 1.5m waterline. Use caution when working around the waterline.

SCALE: 1:200 HORIZ.  
 1:20 VERT.

BY	DATE

REFERENCES NOTED	REFERENCES CHECKED



**21ST STREET NORTH**  
**2 400 mm x 900 mm PRECAST RCBC PLAN & PROFILE**

SRB 924 NORTH MAIN 316-264-8000  
 WICHITA, KANSAS 67203 FAX 264-4621  
 www.srb.com E-Mail: srb@srb.com

SAVOY, RUGGLES & BOHM, P.A.  
 ENGINEERING & SURVEYING

PROJECT NUMBER  
 472-83138

DATE: Jan. 8, 2001

DESIGN: MWS

SRB JOB: 1478T

39  
 105