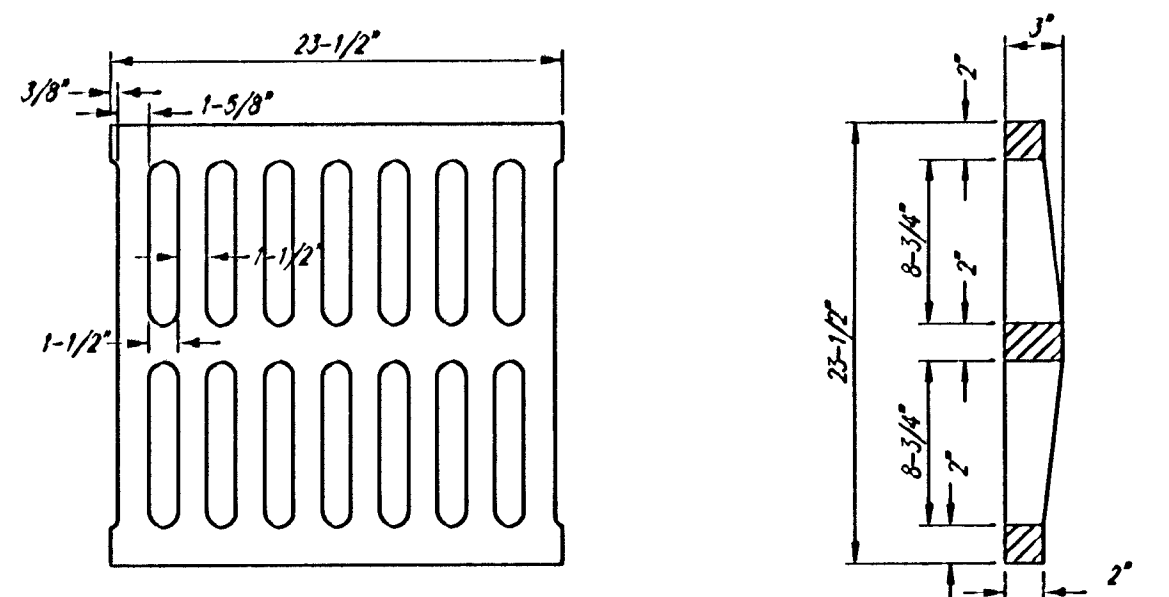
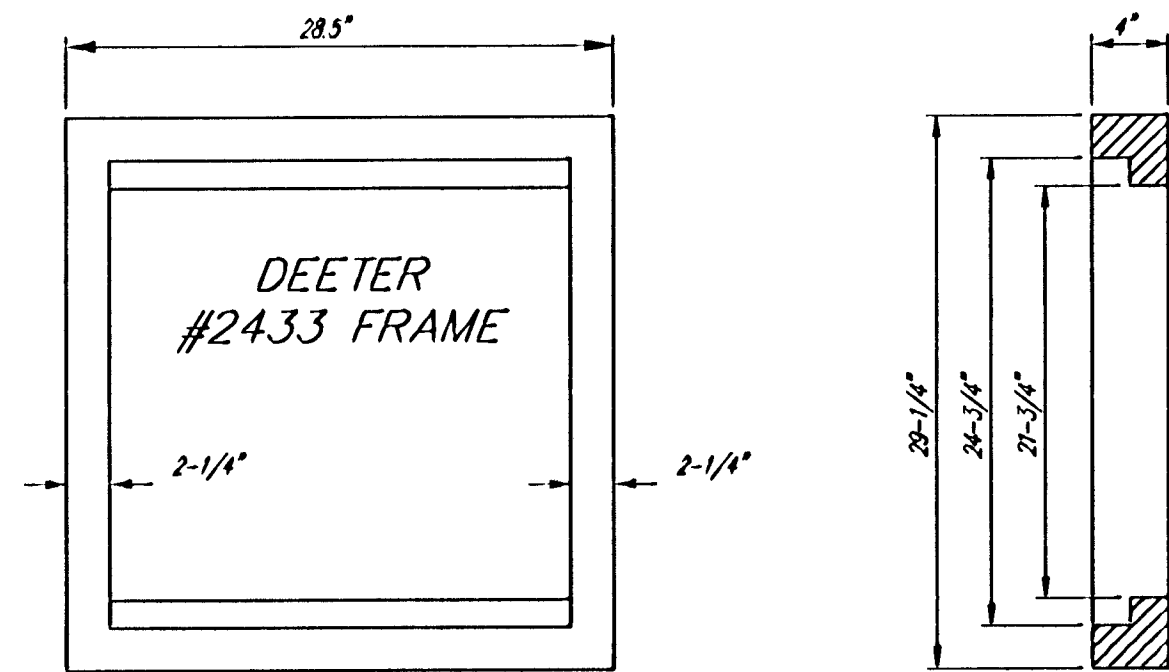


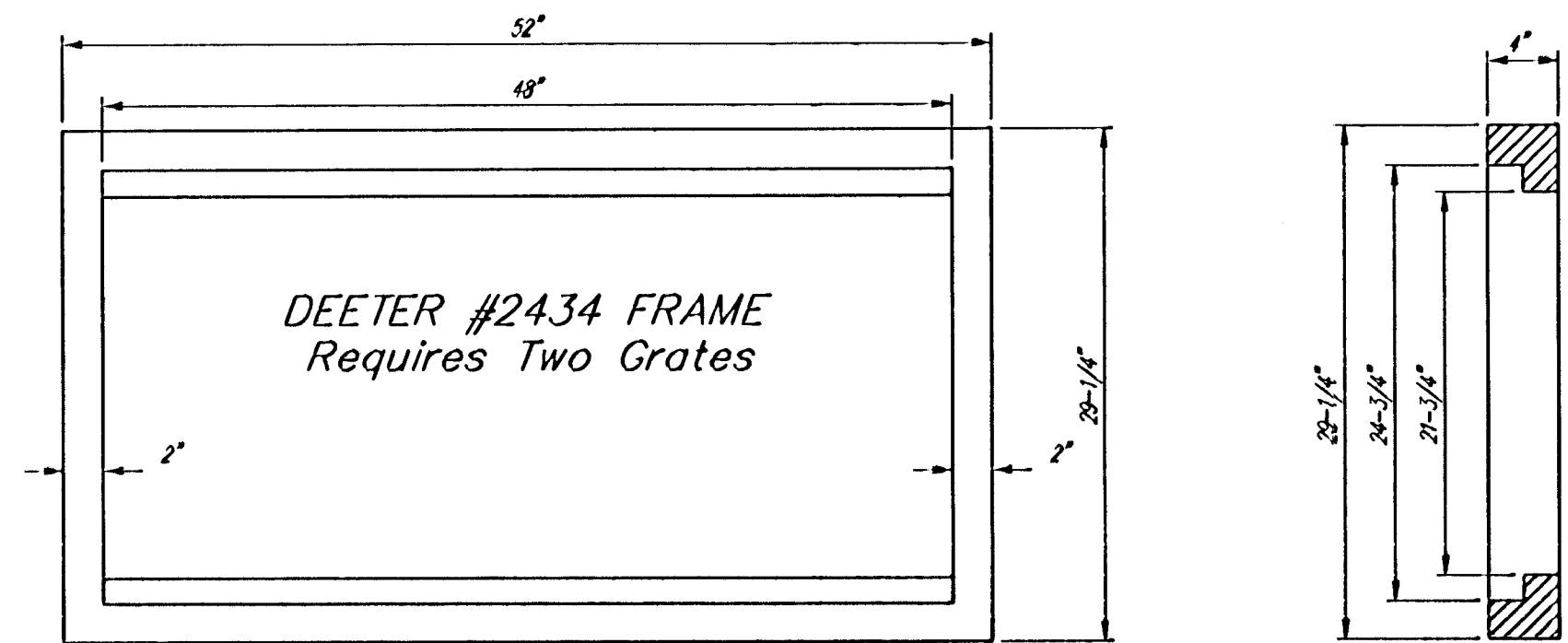
FINA REGION NO.	STATE	PROJECT NO.	FISCAL YEAR	SHEET NO.	TOTAL SHEETS
7	KANSAS	87 N-0303-01	2003	53	143



DEETER #2433 GRATE

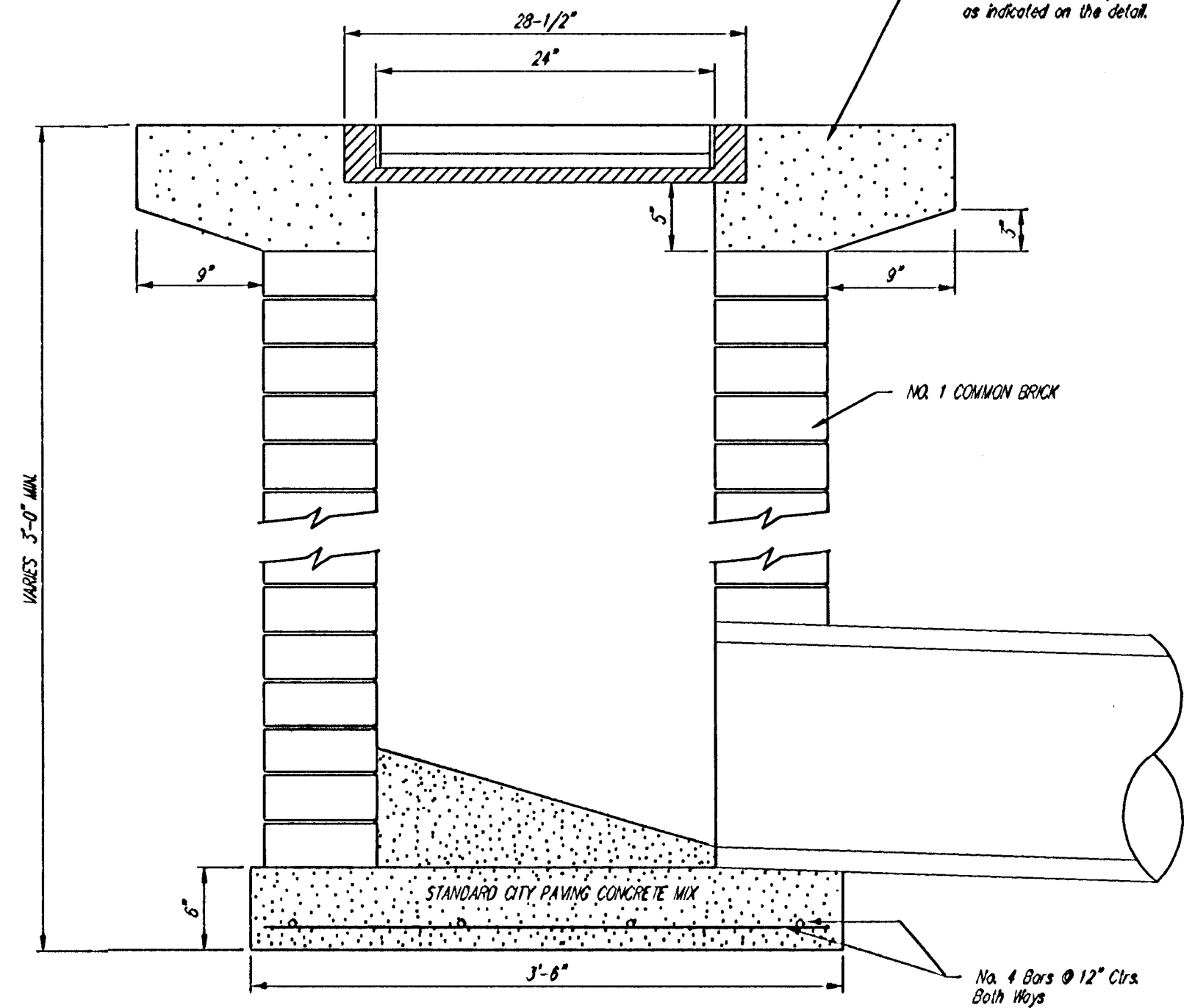
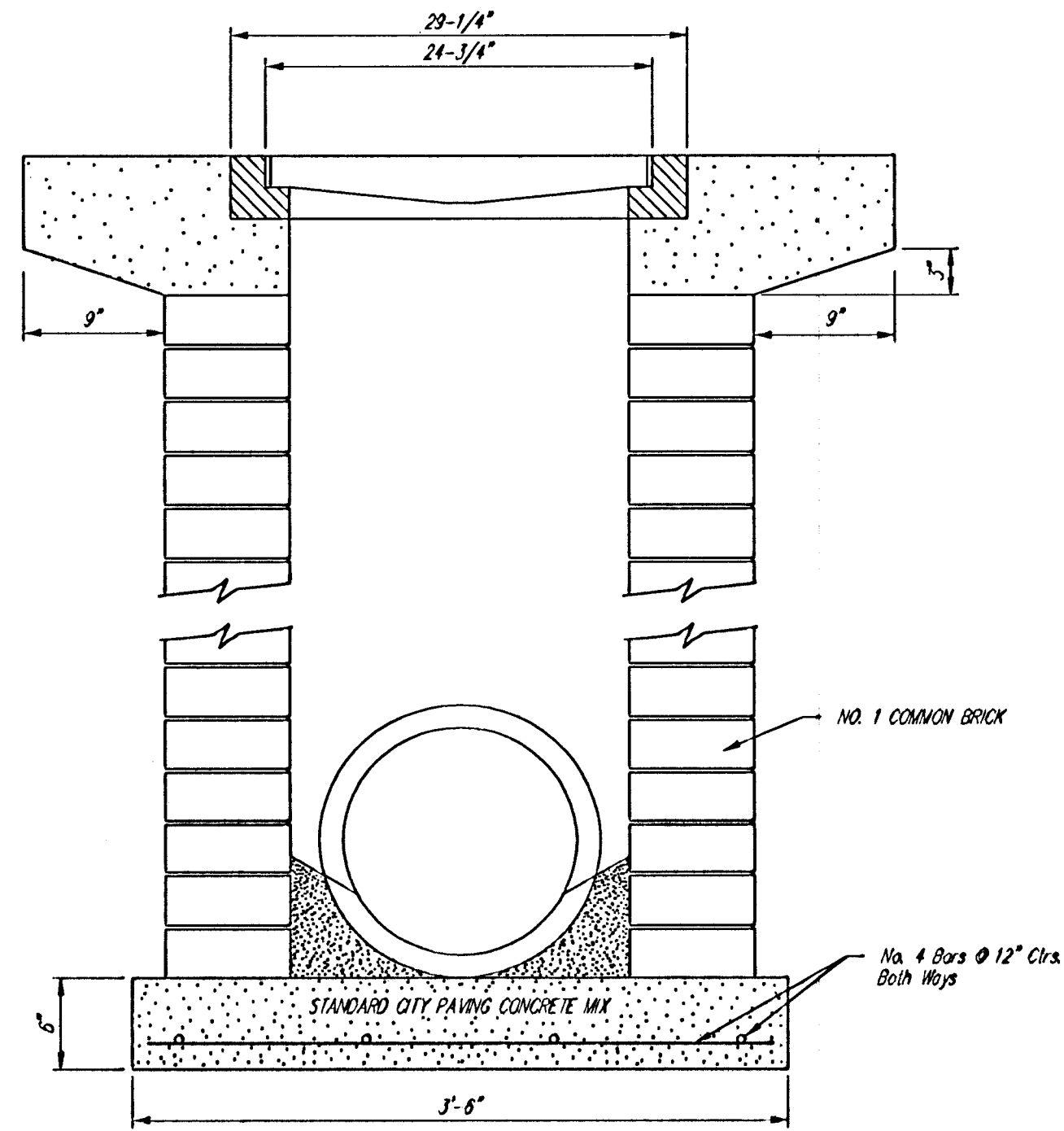
24" x 24" Frame and Grate Detail

NOTE: Grates shall be imprinted on the top surface with "CITY OF WICHITA" using letters at least 1" in height. Other marking methods may be approved by the engineer.

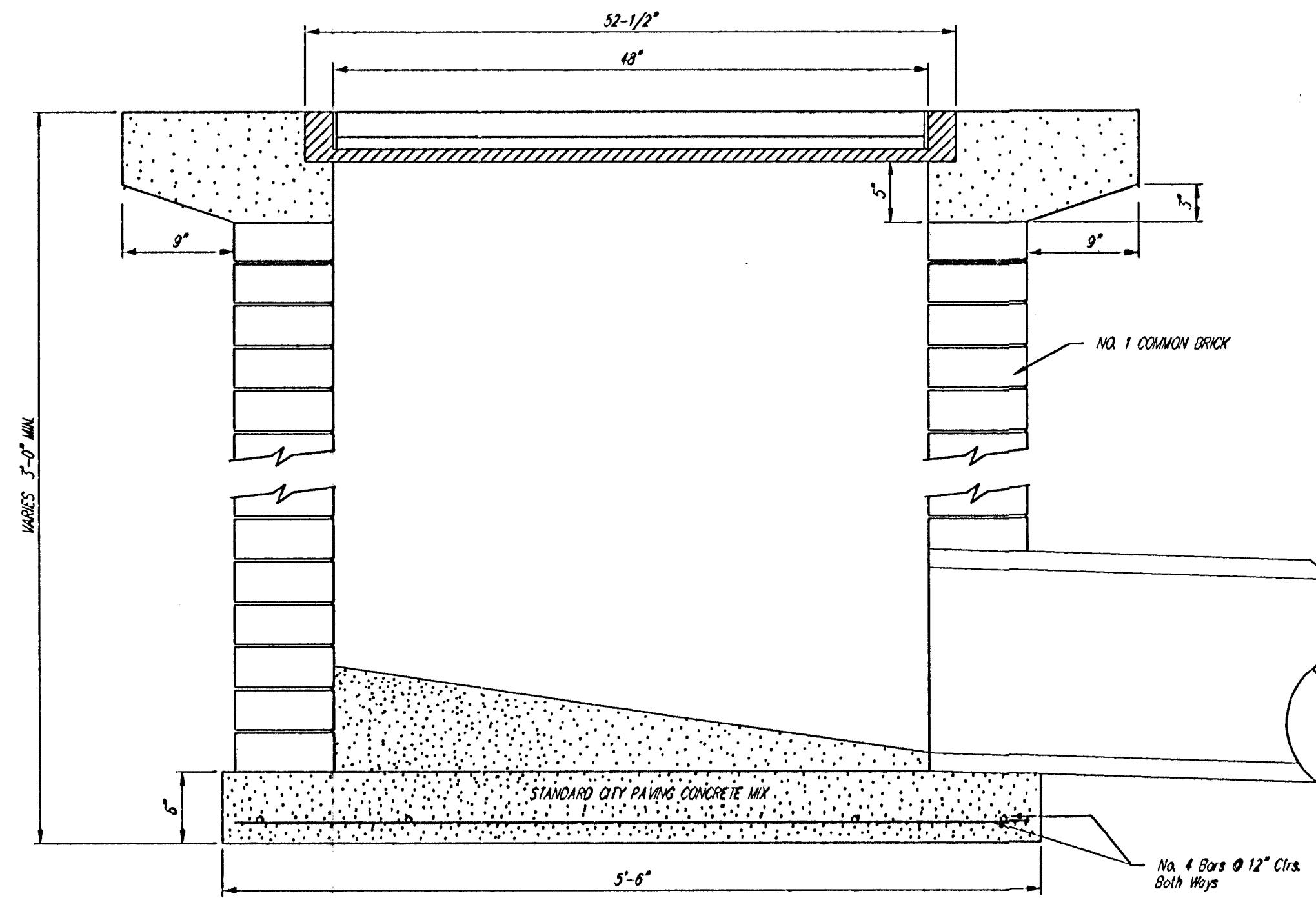


DEETER #2434 FRAME  
Requires Two Grates

Double 24" x 24" Frame Detail



Note: Concrete apron shall be constructed around the inlet when inlet is located in an unpaved area. Where the inlet is adjacent to pavement, the pavement thickness shall be tapered to the inlet in 9 inches as indicated on the detail.



PROJECT NUMBER 472-83902	SHEET NAME DropInlt	ENGINEERING DIRECTORY F:\Hydraulic phs2\details
DESIGN STAFF	DRAWN STAFF	APPROVED JFB
DATE Nov. 2003	SCALE None	BAUGHMAN NO 99-09-E451

CAPITAL IMPROVEMENT PROJECT  
STANDARD DETAILS for  
CONCRETE DOUBLE DROP INLET  
HYDRAULIC AVENUE PAVING - 37th STREET SOUTH TO 47th STREET SOUTH

**BAUGHMAN COMPANY, P.A.**  
ENGINEERING, SURVEYING, & PLANNING  
318-262-7271 • 315 ELLIS • WICHITA, KANSAS 67211