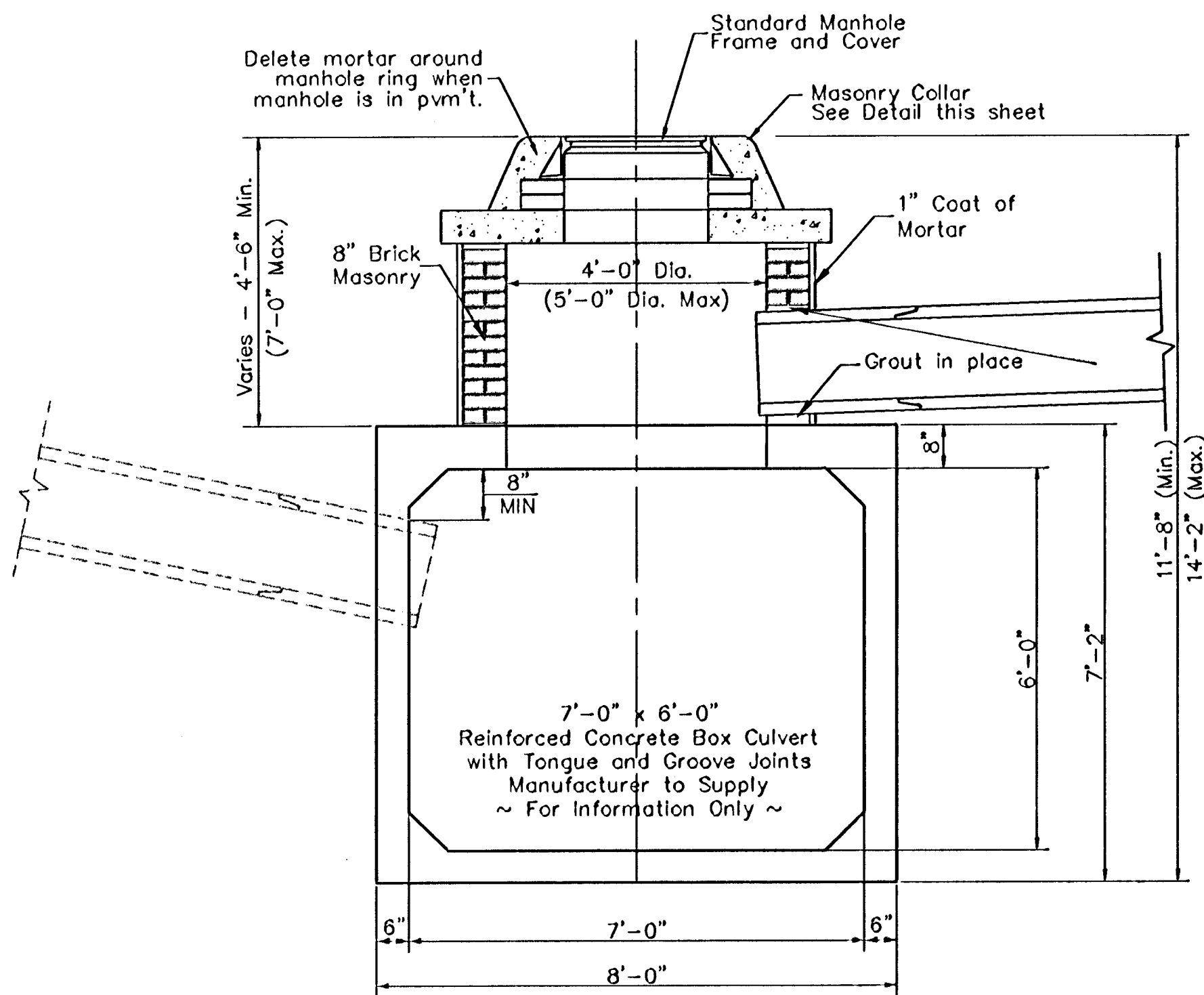
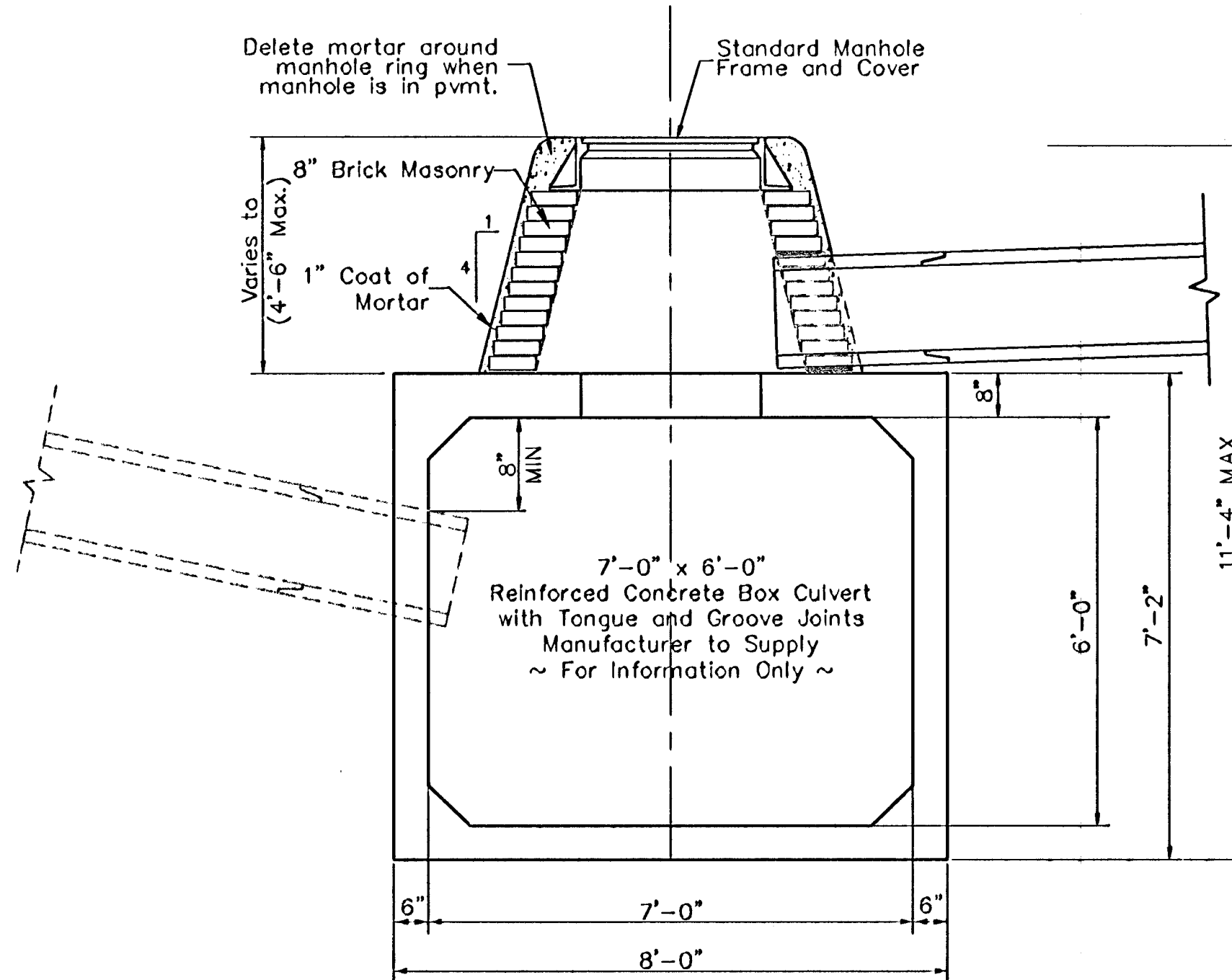


FINA REGION NO.	STATE	PROJECT NO.	FISCAL YEAR	SHEET NO.	TOTAL SHEETS
7	KANSAS	87 N-0303-01	2003	59	143

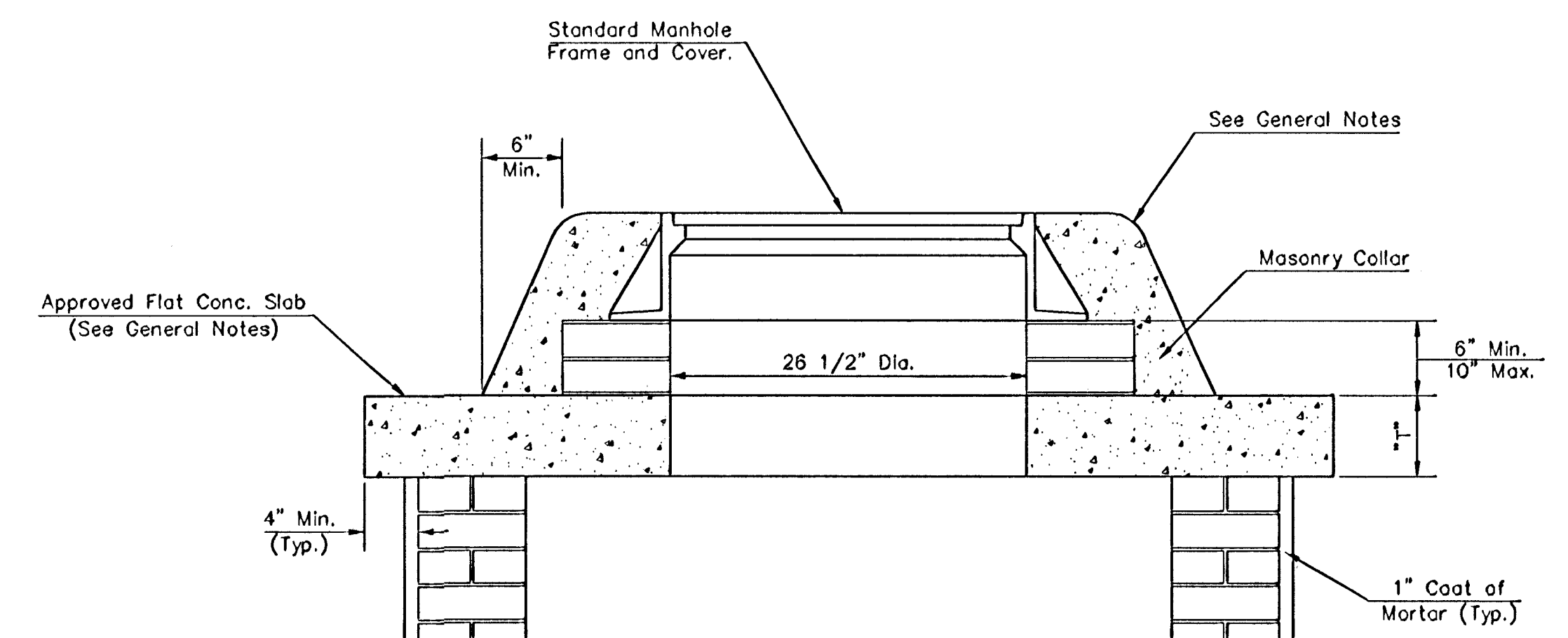
**7'0" x 6'0" RCBC with MANHOLE STACK**  
(4'6" MIN to 7'0" MAXIMUM HEIGHT BRICK STACK)



**7'0" x 6'0" RCBC with MANHOLE STACK**  
(4'6" MAXIMUM HEIGHT BRICK STACK)

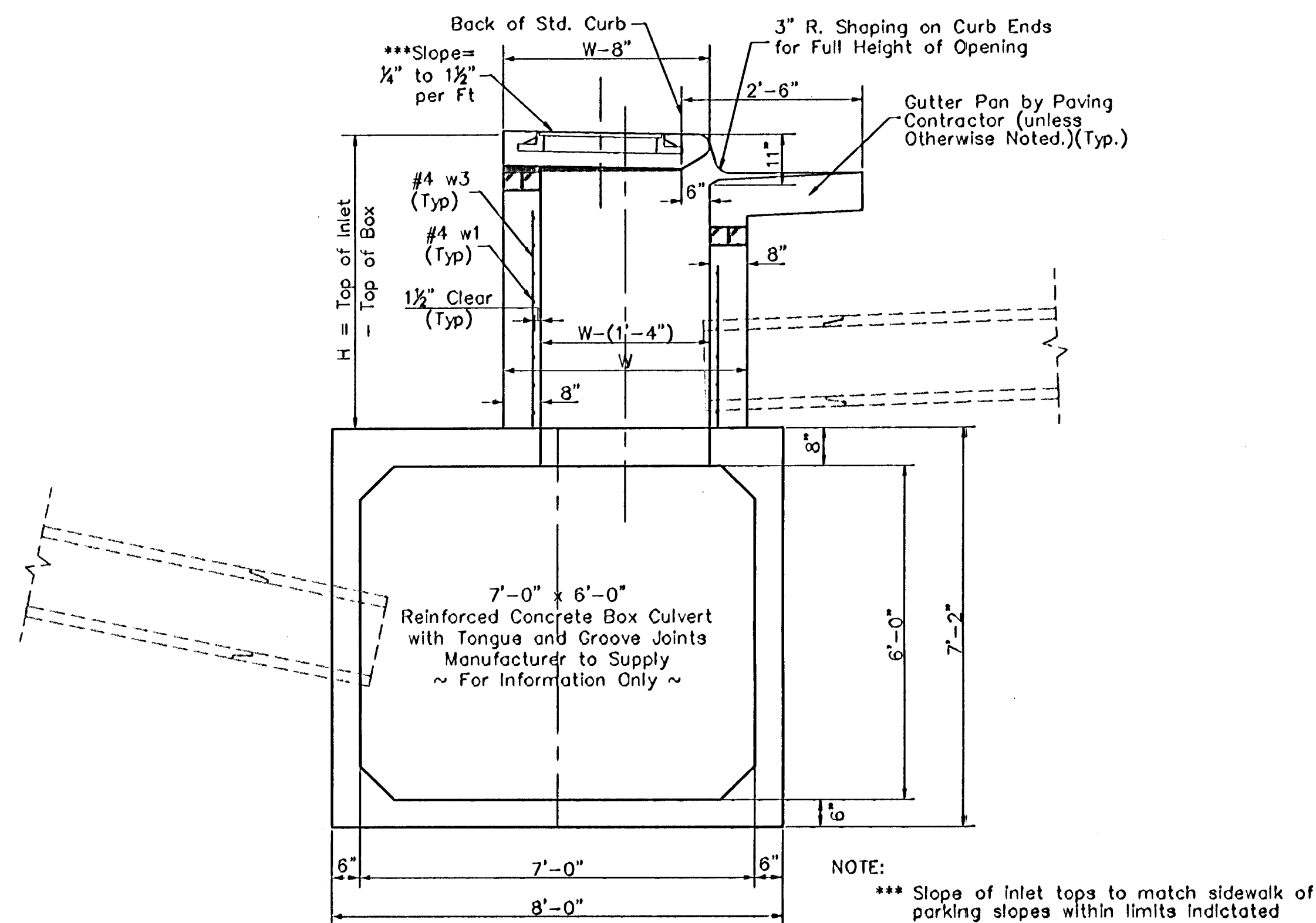


**MASONRY COLLAR DETAIL**

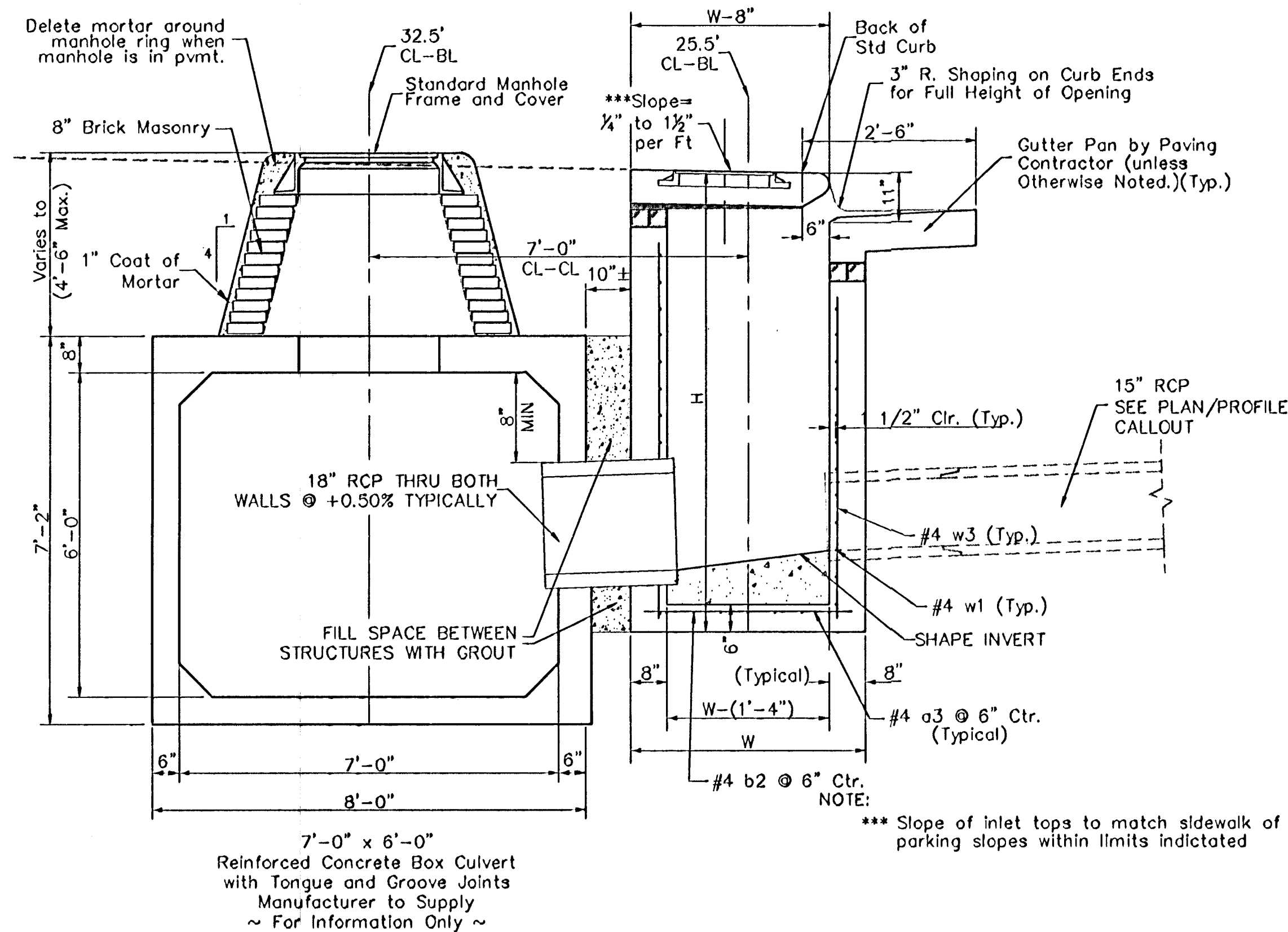


**FOR INFORMATION ONLY**

**TYPE 1 INLET w/ DROP THROUGH BOTTOM OVER RCBC (7'-0" x 6'-0" SHOWN)**



**7'0" x 6'0" RCBC with MANHOLE STACK**  
(With CLOSE CONNECTION TYPE 1 INLET)



PROJECT NUMBER 472-83902	SHEET NAME SPCLDIL	ENGINEERING DIRECTORY F:ENGHYD2SWS
DESIGN KK	DRAWN STAFF	APPROVED JFB
DATE March 04	SCALE NONE	BAUGHMAN NO 472-83324

CAPITAL IMPROVEMENT PROJECT  
**HYDRAULIC PH2 STORM WATER SEWER  
SPECIAL RCBC DETAILS**

**BAUGHMAN COMPANY, P.A.**  
ENGINEERING, SURVEYING, & PLANNING  
316-282-7271 • 315 ELLIS • WICHITA, KANSAS 67211