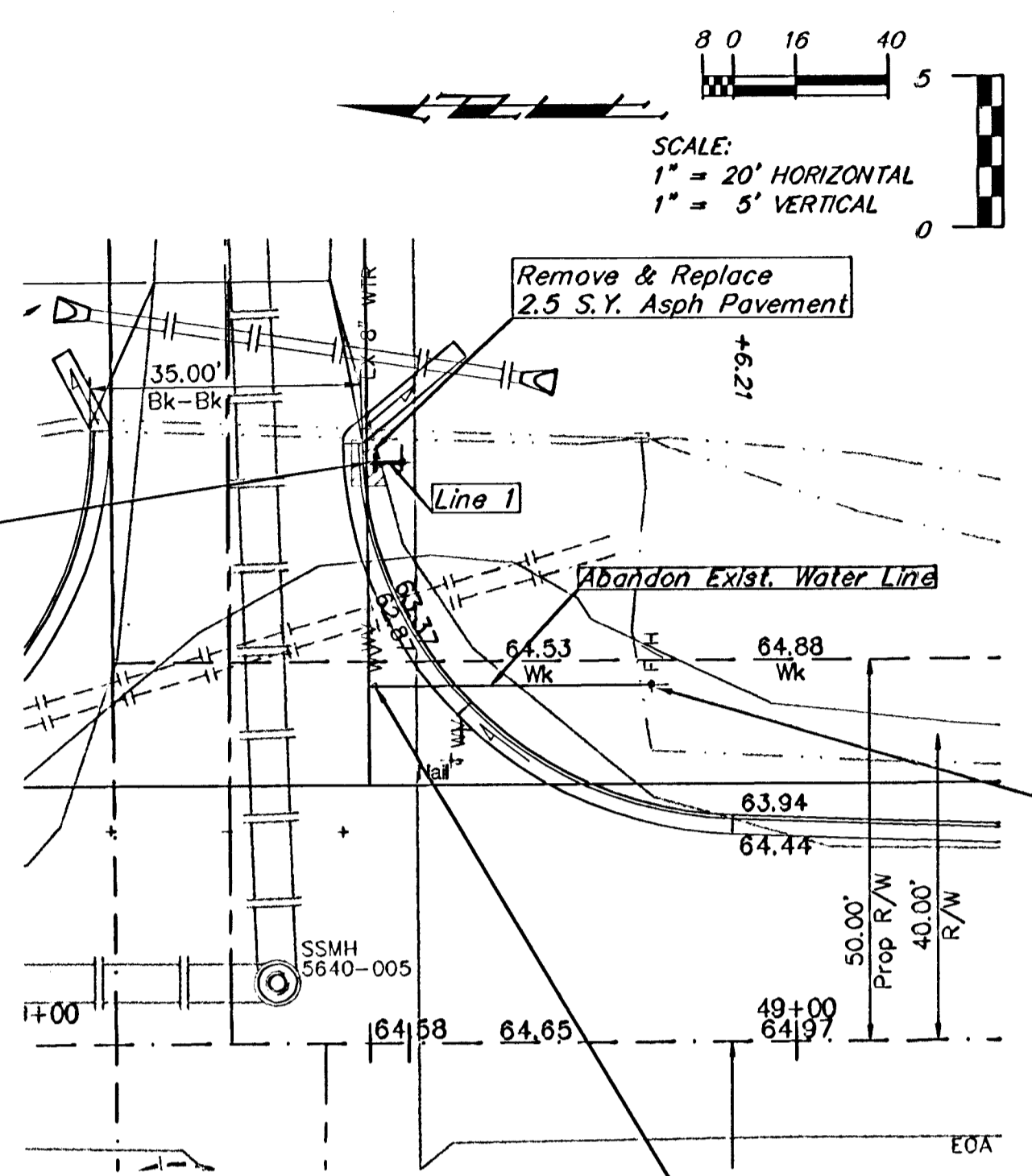
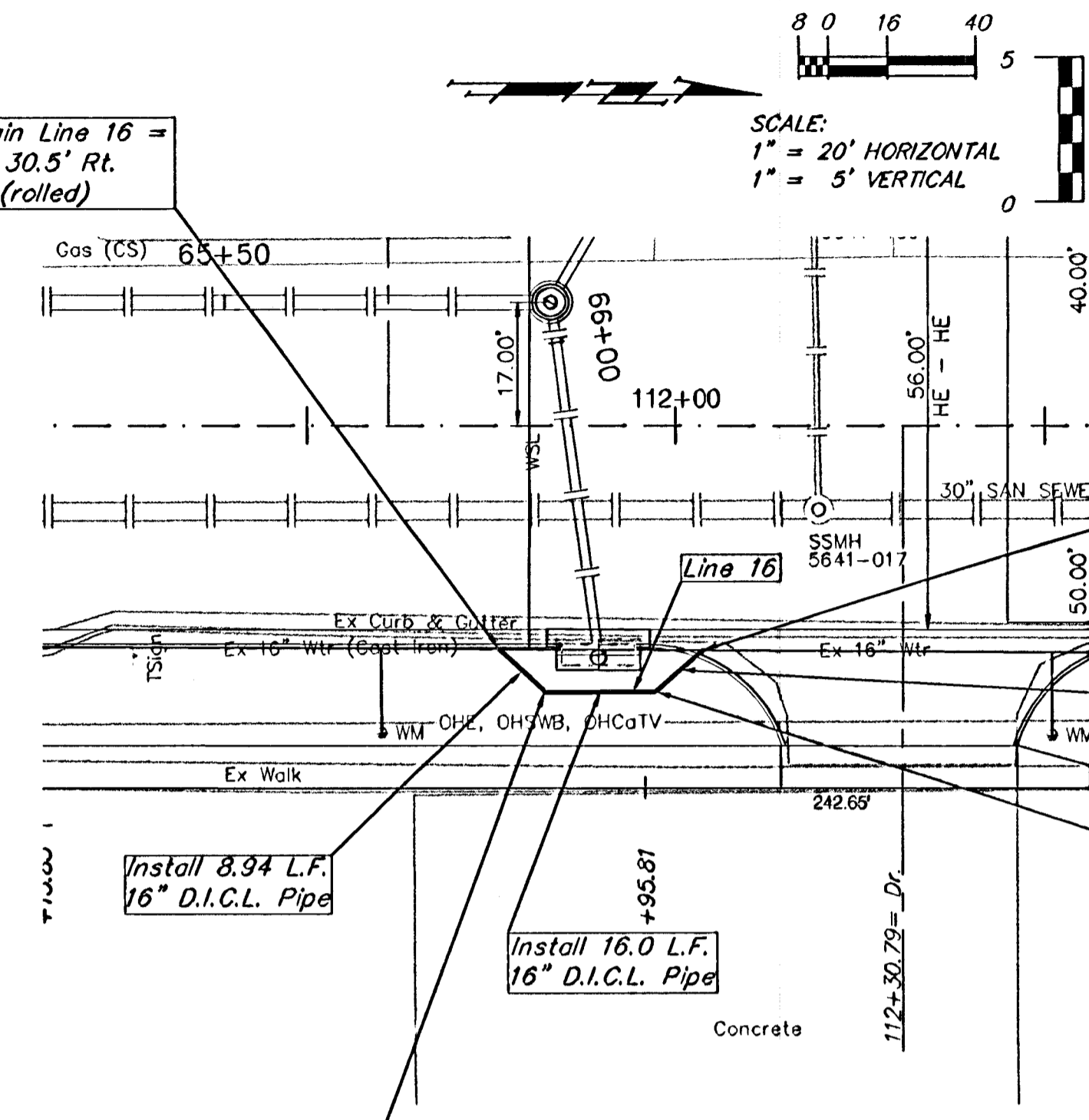


W.L. Sta. 0+00, Line 1 =
 B.L. Sta. 49+55, 76.0' Rt.
 Top Ex. 8" AC Water Main
 1 - 8"x 6" Tapping Sleeve
 1 - 6" Tapping valve w/valve box
 To be furnished & installed by the City of Wichita.
 1 - Reinstall Ex. Fire Hydrant (L=4.5')
 Bury Line Elev. = 74.97
 Valve Box Elev. = 74.91



Line 1

W.L. Sta. 0+00, Begin Line 16 =
 B.L. Sta. 111+75.5, 30.5' Rt.
 1 - 45' CIMJ Bend (rolled)

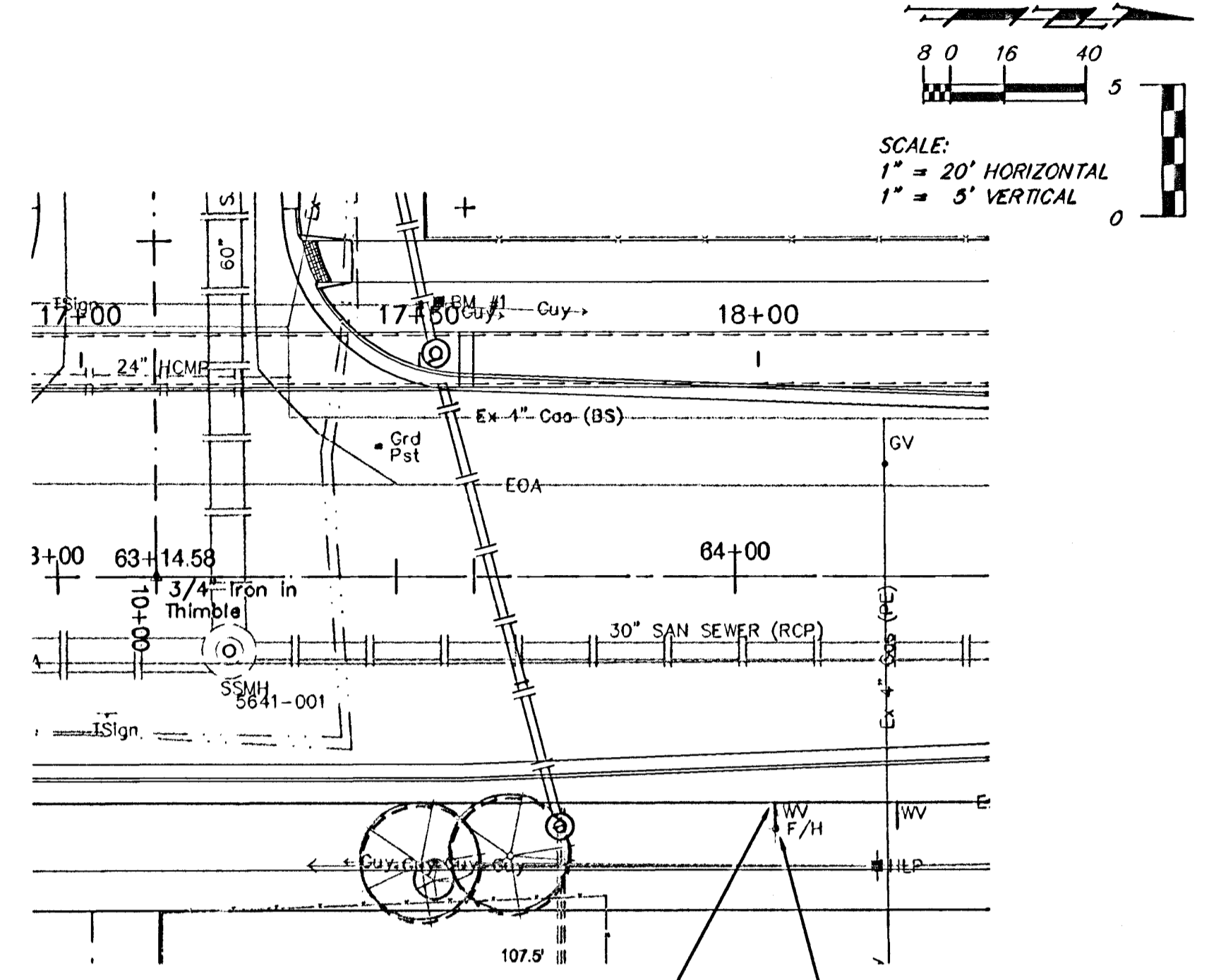


Line 16

W.L. Sta. 0+33.89, Line 16 =
 B.L. Sta. 112+04.14, 30.5' Rt.
 1 - 45' CIMJ Bend (rolled)

W.L. Sta. 0+24.94, Line 16 =
 B.L. Sta. 111+97.82, 36.5' Rt.
 1 - 45' CIMJ Bend (rolled)
 Block as necessary

W.L. Sta. 0+08.94, Line 16 =
 B.L. Sta. 111+81.82, 36.5' Rt.
 1 - 45' CIMJ Bend (rolled)
 Block as necessary



FH 1

Note:
 Trees/Shrubs to be removed are marked thus:

Note:
 Pavement, Sidewalks, and Etc. To Be Removed Are Indicated By:

80	W.L. Sta. 0+00, Line 1 = B.L. Sta. 49+55, 76.0' Rt. Top Ex. 8" AC Water Main 1 - 8"x 6" Tapping Sleeve 1 - 6" Tapping valve w/valve box To be furnished & installed by the City of Wichita. 1 - Reinstall Ex. Fire Hydrant (L=4.5') Bury Line Elev. = 74.97 Valve Box Elev. = 74.91	80	90	W.L. Sta. 0+00, Begin Line 16 = B.L. Sta. 111+75.5, 30.5' Rt. 1 - 45' CIMJ Bend (rolled)	90	W.L. Sta. 0+24.94, Line 16 = B.L. Sta. 111+97.82, 36.5' Rt. 1 - 45' CIMJ Bend (rolled) Block as necessary	90
75	Prop. Grade @ E. of Pipe	75	85	Prop. Grade @ E. of Pipe	85	Remove Exist. Pipe	85
70	Exist. Grade @ E. of Pipe	70	80	Prop. E = 79.73	80	Exist. 16" CI Water Line TP = 78.76	80
65	Line 1	65	75	Prop. E = 79.73	75	Line 16	75
60	Exist. 8" AC Water Line TP = 67.80	60	70	Prop. E = 79.73	70	Line 16	70