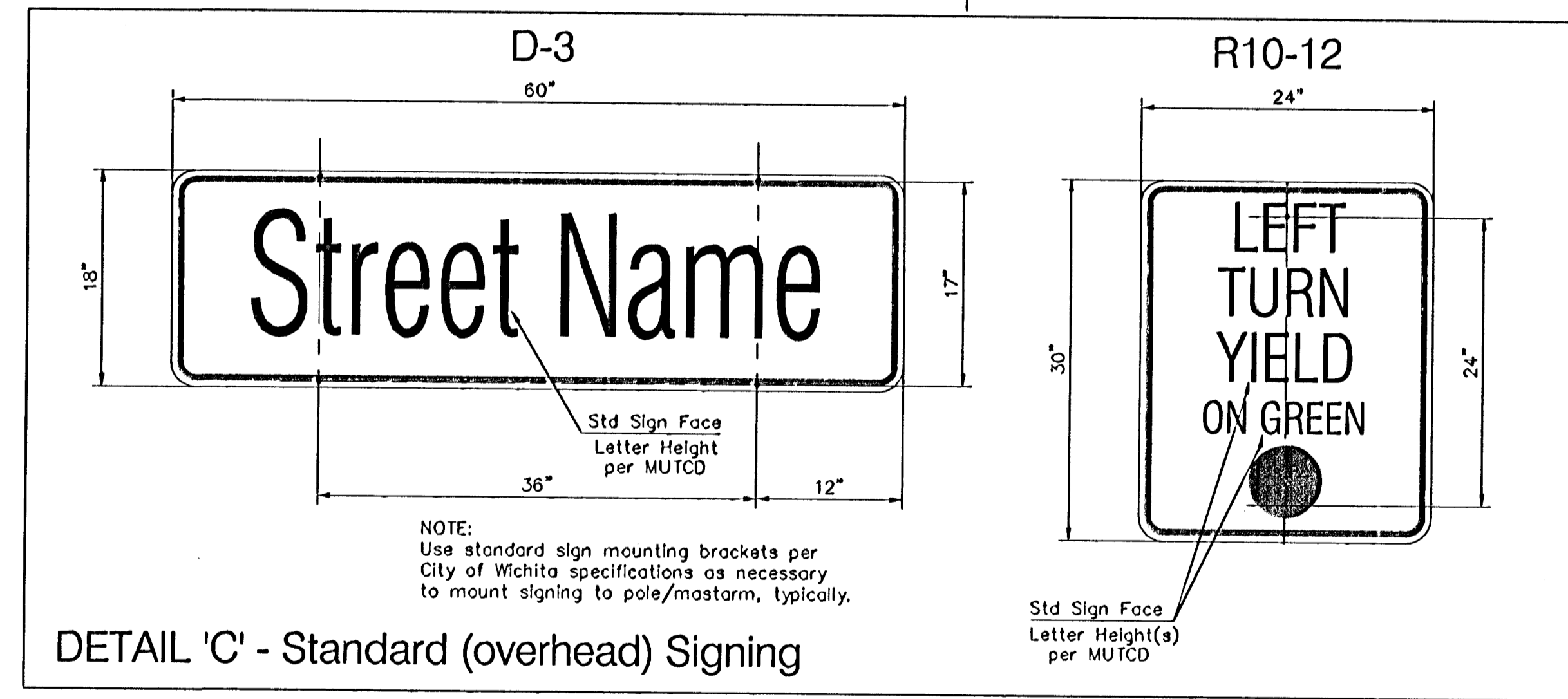
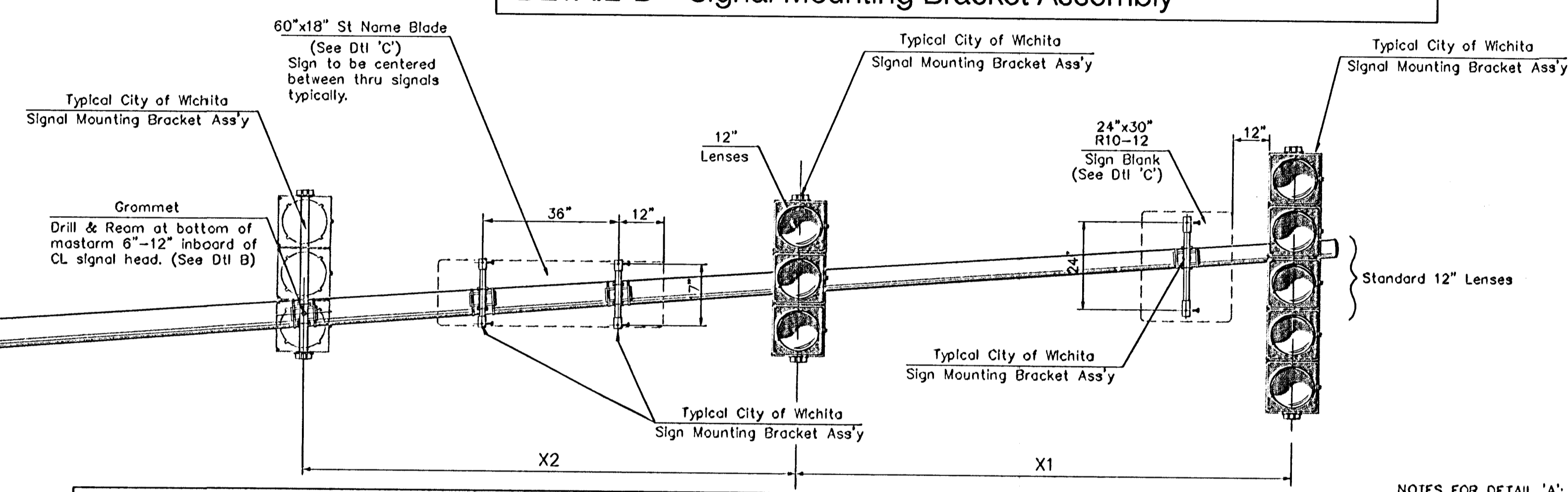
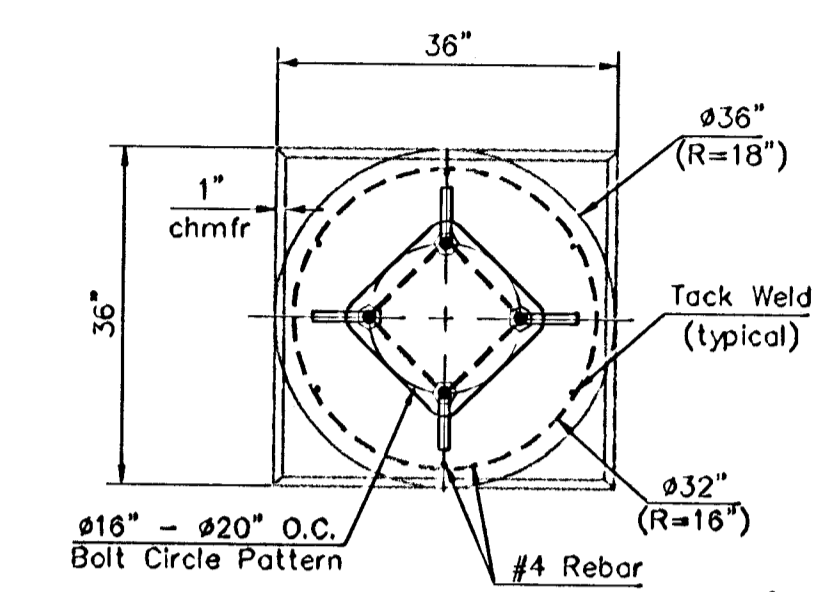
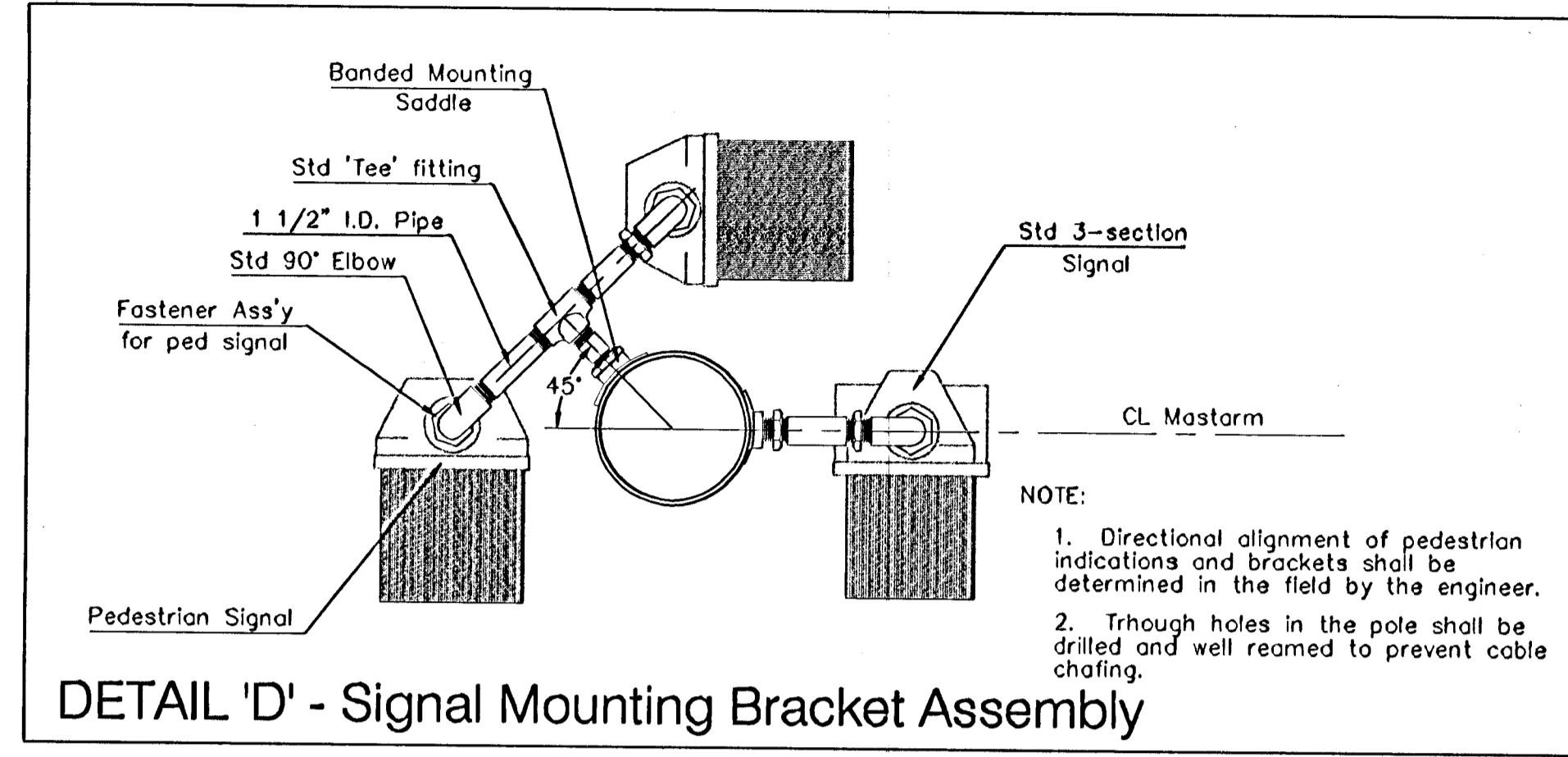
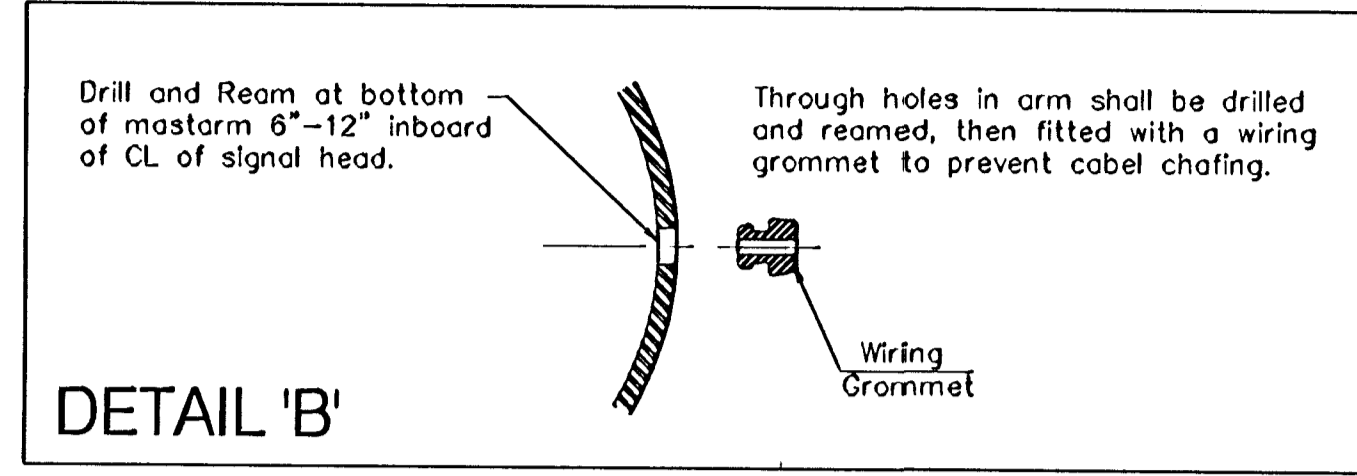
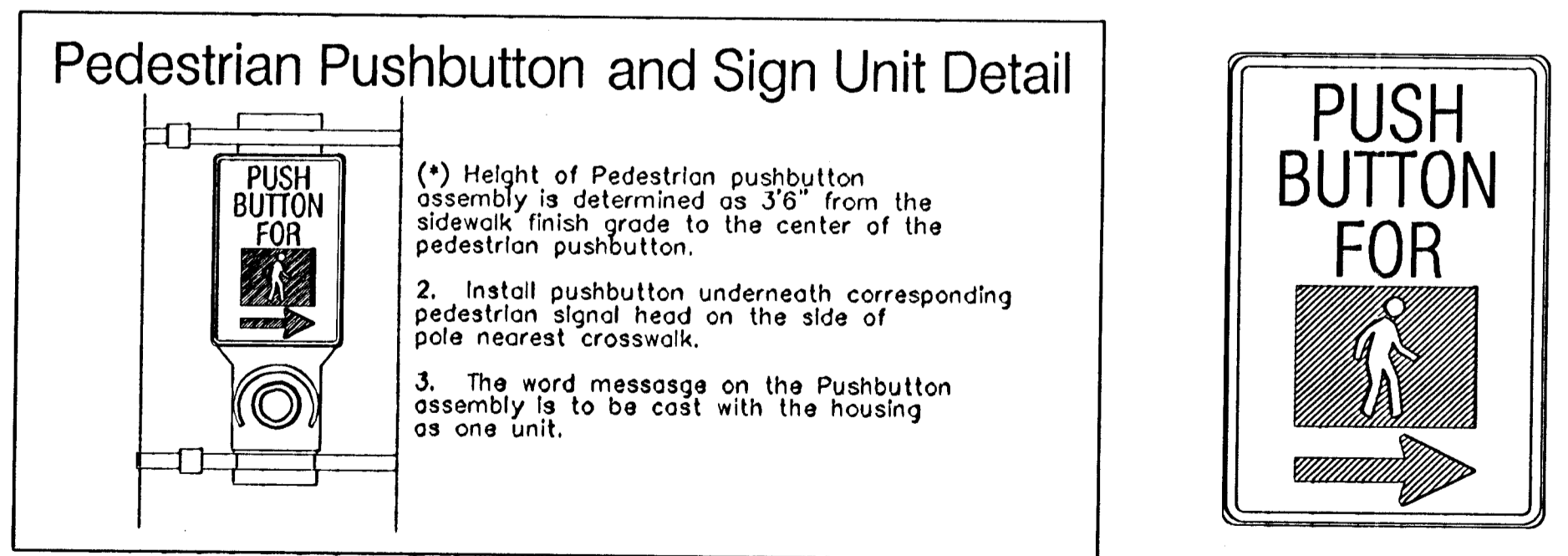


FINRA REGION NO.	STATE	PROJECT NO.	FISCAL YEAR	SHEET NO.	TOTAL SHEETS
7	KANSAS	87 N-0303-01	2003	88	143



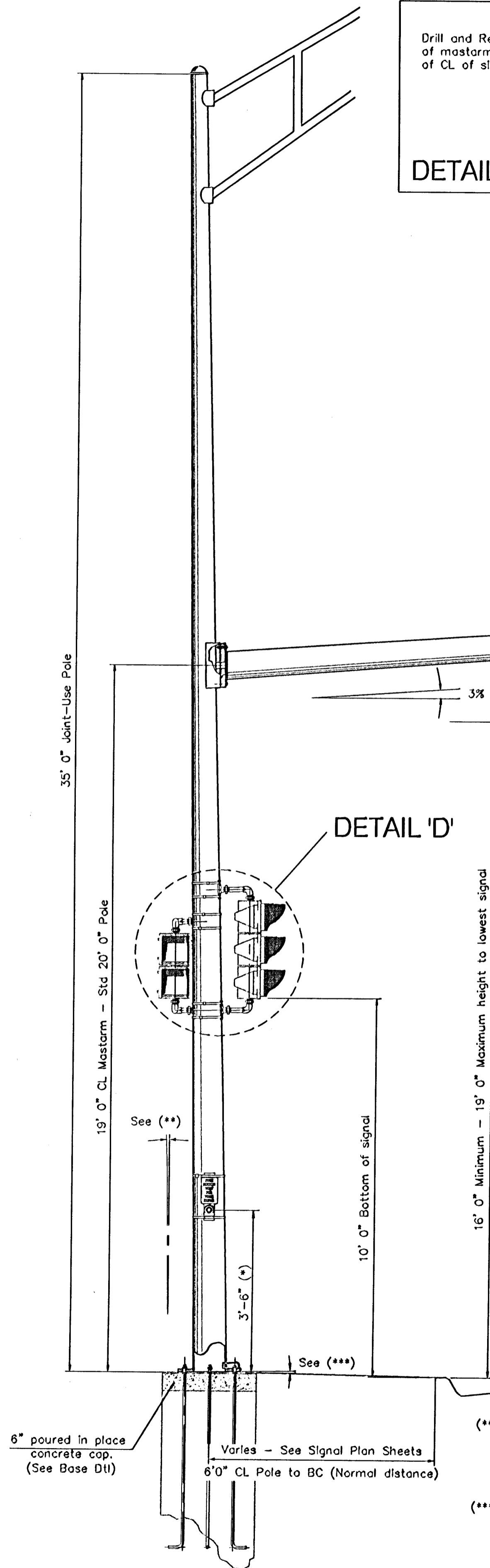
- NOTES FOR DETAIL 'A':
- The anchor bolts for the signal pole shall be tack welded together in a 16" or 20" diameter bolt pattern (on center as is shown) to maintain the required bolt circle pattern and to aid in vertical positioning while the reinforced concrete base is being poured.
 - Use anti-seize compound on all threads.
 - The 12' 0" x 5/8" ground rod is to be positioned in place PRIOR TO pouring the reinforced concrete base.
 - Class 'A' concrete shall be used to construct the reinforced concrete base.
 - Construct a 6" thick x 36" square concrete cap after pole has been erected and plumbed. Chamfer the top edge @ 1". Subject to approval by the engineer PRIOR TO construction of cap.
 - All conduits shall have an approved plastic or metal bushing installed above the base @ 3" ± to prevent cable chafing.
 - Use #6 Bare Copper Ground Conductor from clamp on ground rod to ground bolt in signal pole access hole.
 - A single conductor stranded #8 Green Wire shall carry the equipment ground from the ground lug of all signal poles to the controller cabinet and the power disconnect box. When necessary, the equipment ground can be spliced in the service box with a split bolt connector. (Subject to approval by the engineer)



Contractor shall install R10-4b for each ped. push-button.

R10-4b
9" x 12"

DETAIL 'A' - Reinforced Concrete Pole Base



- (**) The back rake for pole is as follows:
 1" back rake (1/4 bubble) for mastarms 40' and under
 1 1/2" back rake (1/3 bubble) for mastarms over 40'
- (***) The rake for pole base is as follows:
 2% back rake (1/4 bubble) for mastarms 40' and under
 2.6% back rake (1/3 bubble) for mastarms over 40'

PROJECT NUMBER 472-83902	SHEET NAME POLEDTL	ENGINEERING DIRECTORY F:\Hydraulic_phs2\details
DESIGN STAFF	DRAWN STAFF	APPROVED JFB
DATE March 04	SCALE None	BAUGHMAN NO 99-09-E451

CITY OF WICHITA
SIGNAL POLE DETAILS
 HYDRAULIC AVENUE PAVING - 57th STREET SOUTH TO 47th STREET SOUTH

BAUGHMAN COMPANY, P.A.
 ENGINEERING, SURVEYING, & PLANNING
 318-282-7271 • 315 ELLIS • WICHITA, KANSAS 67211