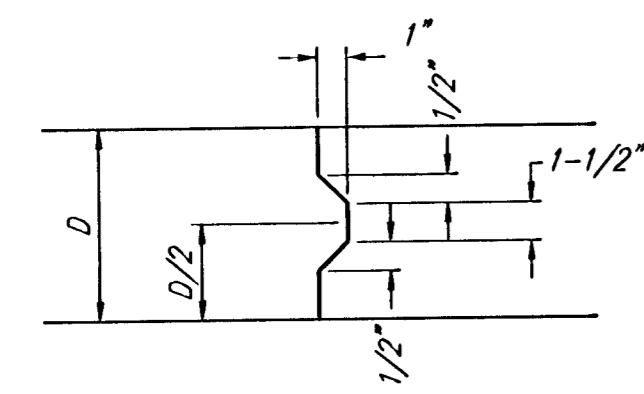
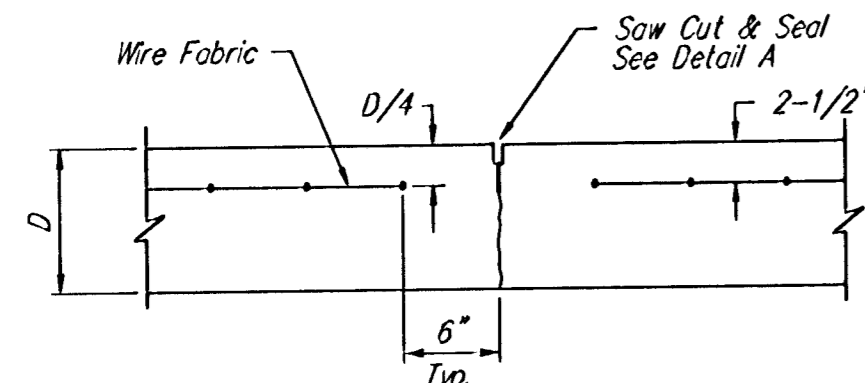


EXPANSION JOINT

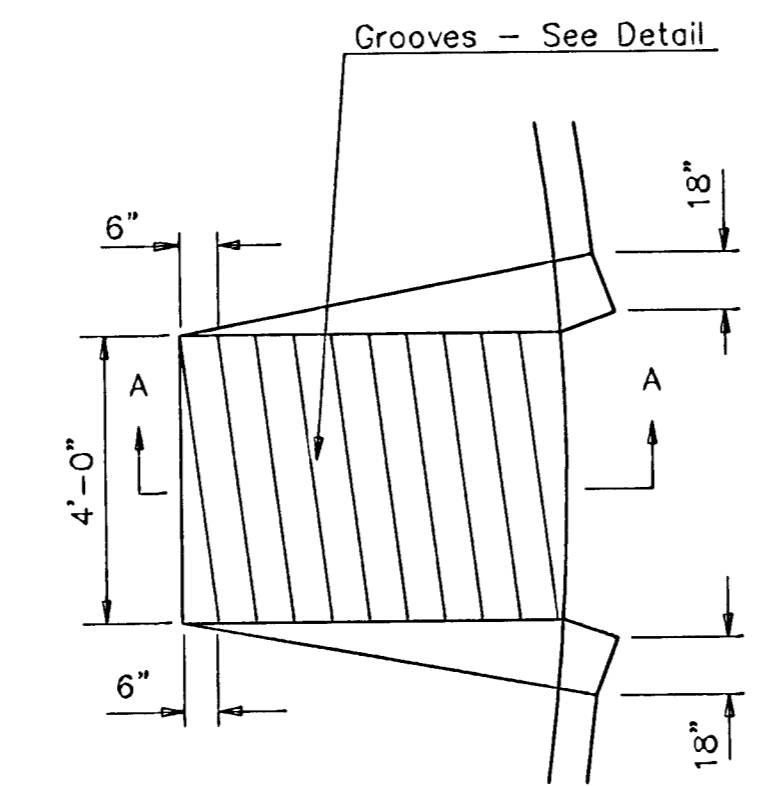
NOTE: Extra Thickness to be Subsidiary to Price of Square Yards Pavement



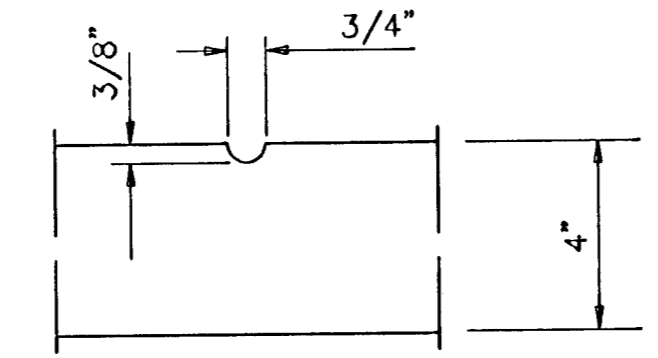
KEYWAY DETAIL



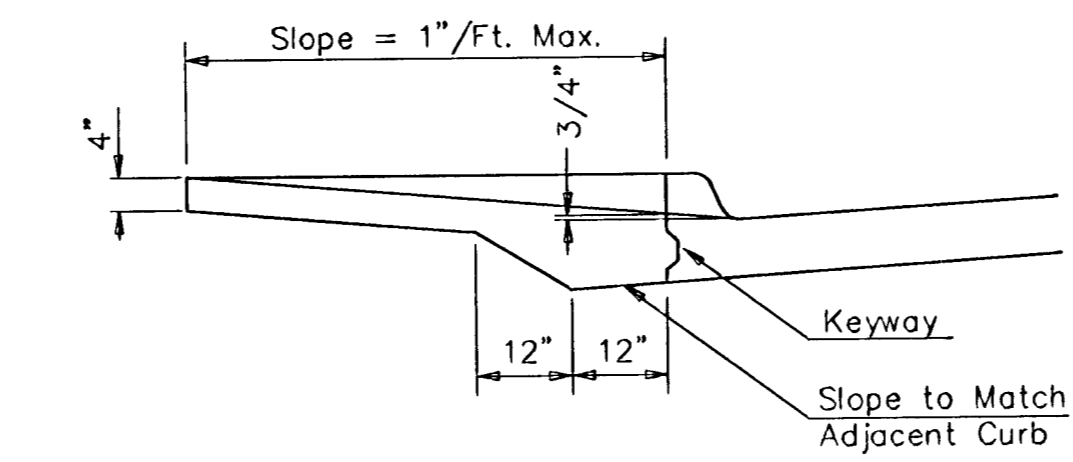
WHEELCHAIR RAMP DETAIL



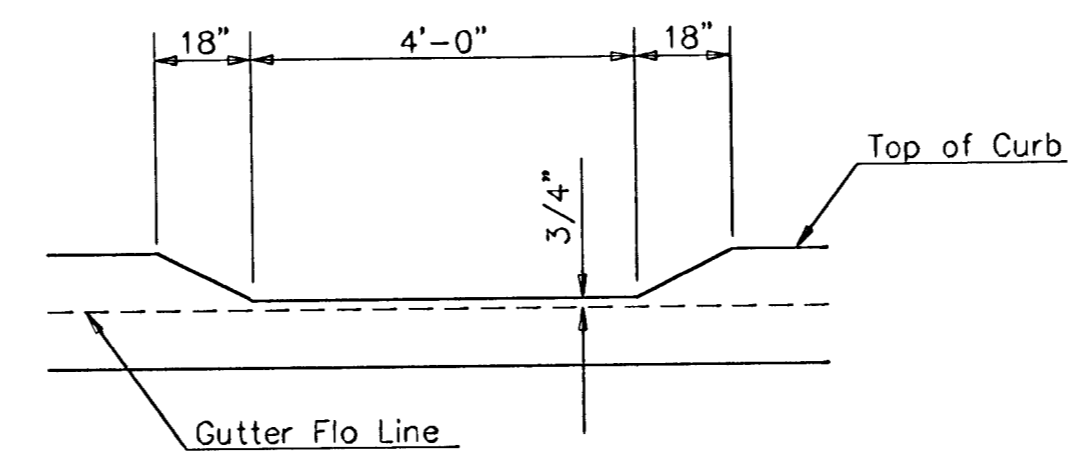
WHEELCHAIR RAMP PLAN VIEW



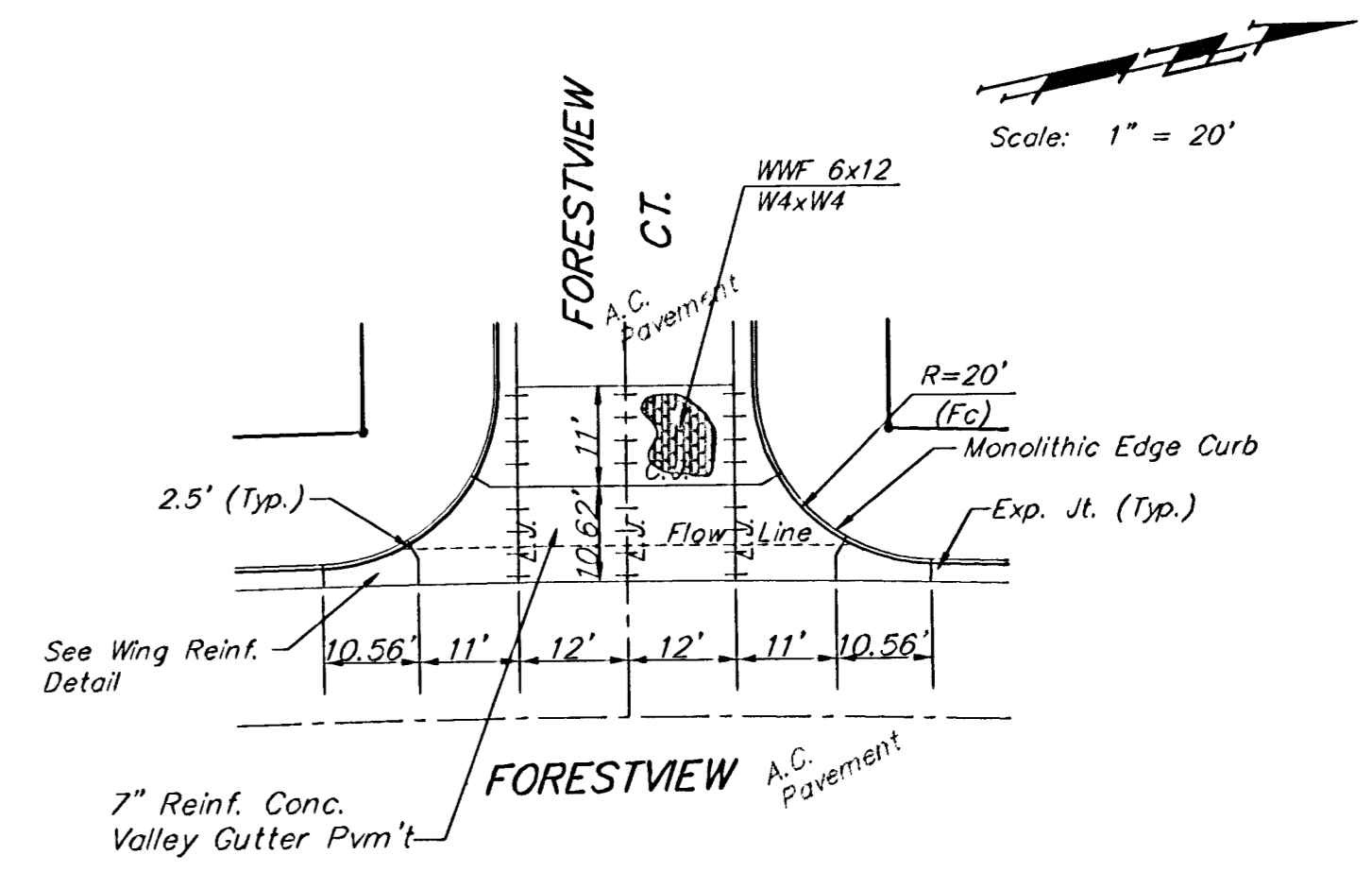
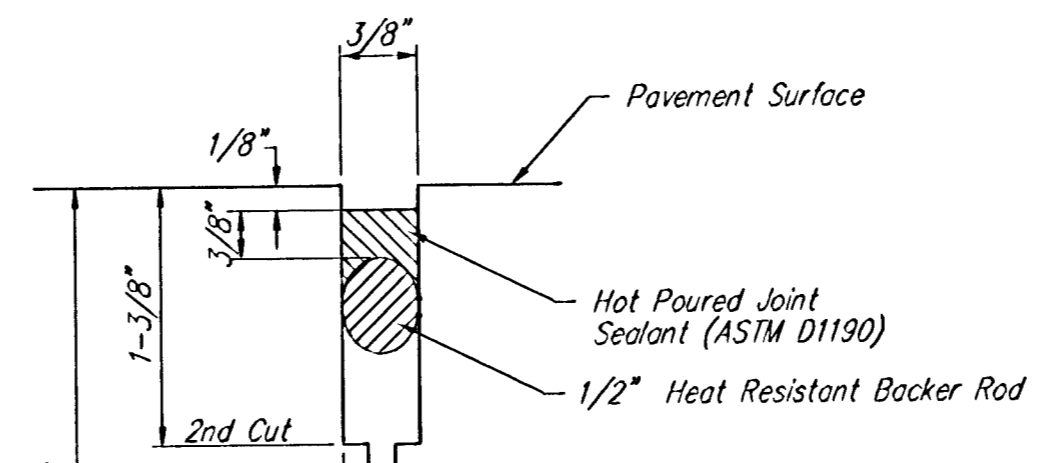
GROOVE DETAIL



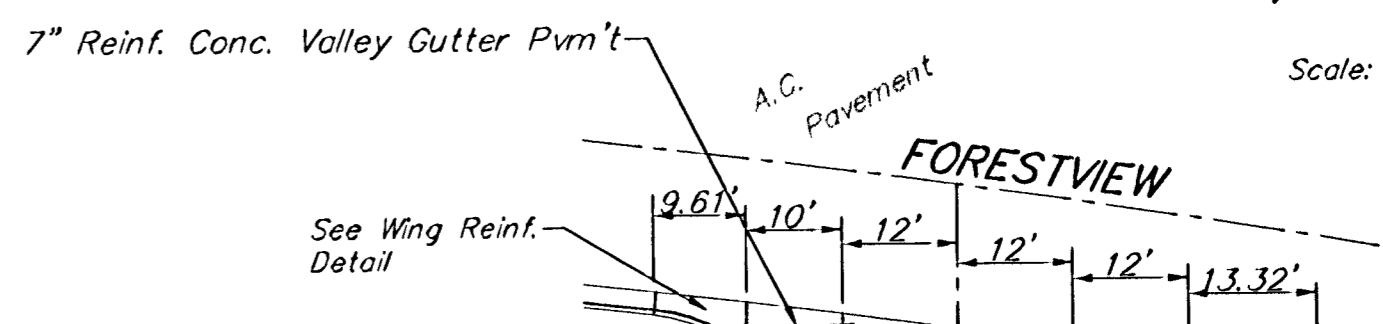
SECTION A-A



DEPRESSED CURB DETAIL



Scale: 1" = 20'



Scale: 1" = 20'