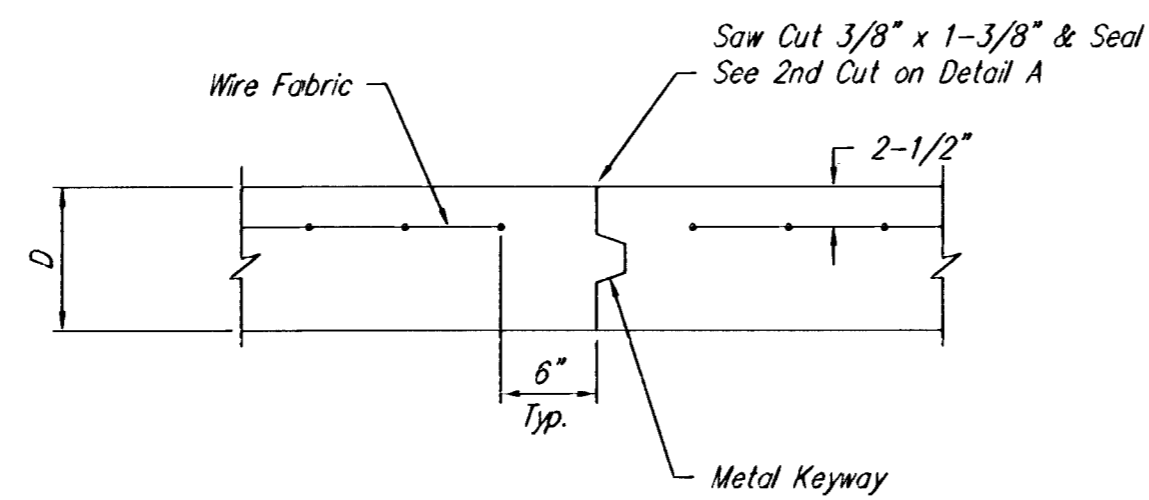
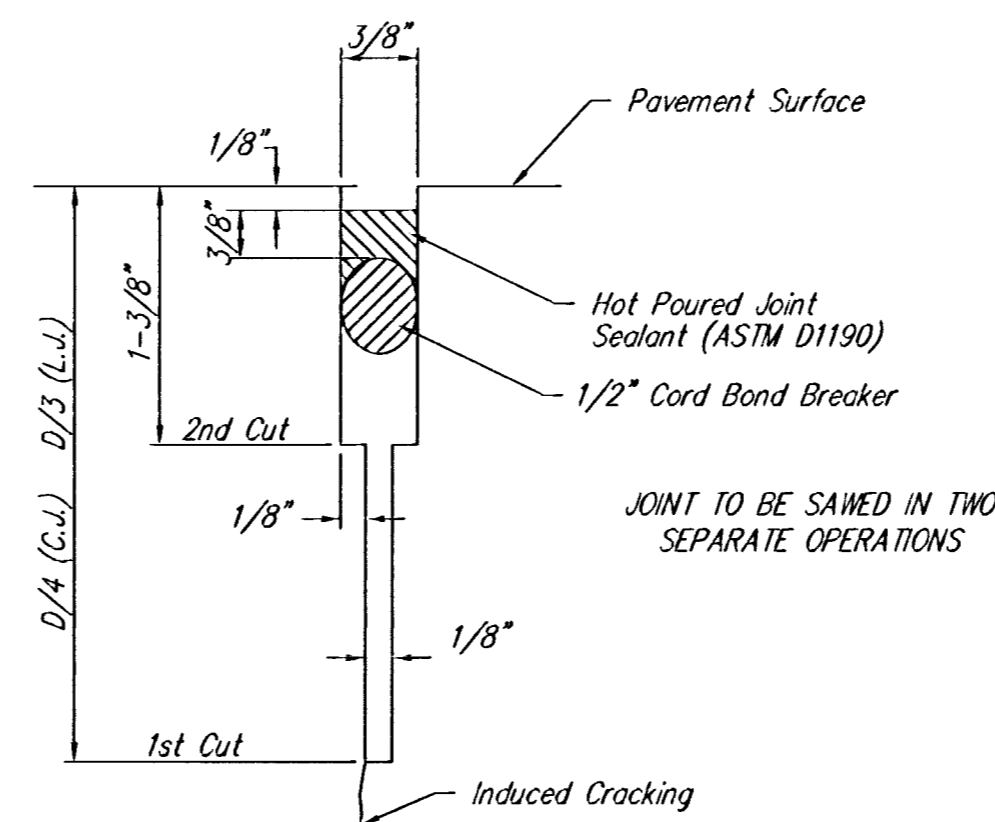


EXPANSION JOINT

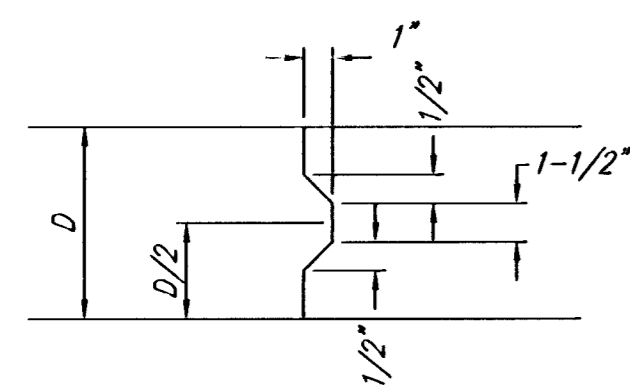
NOTE: Extra Thickness to be Subsidiary to Price of Square Yards Pavement



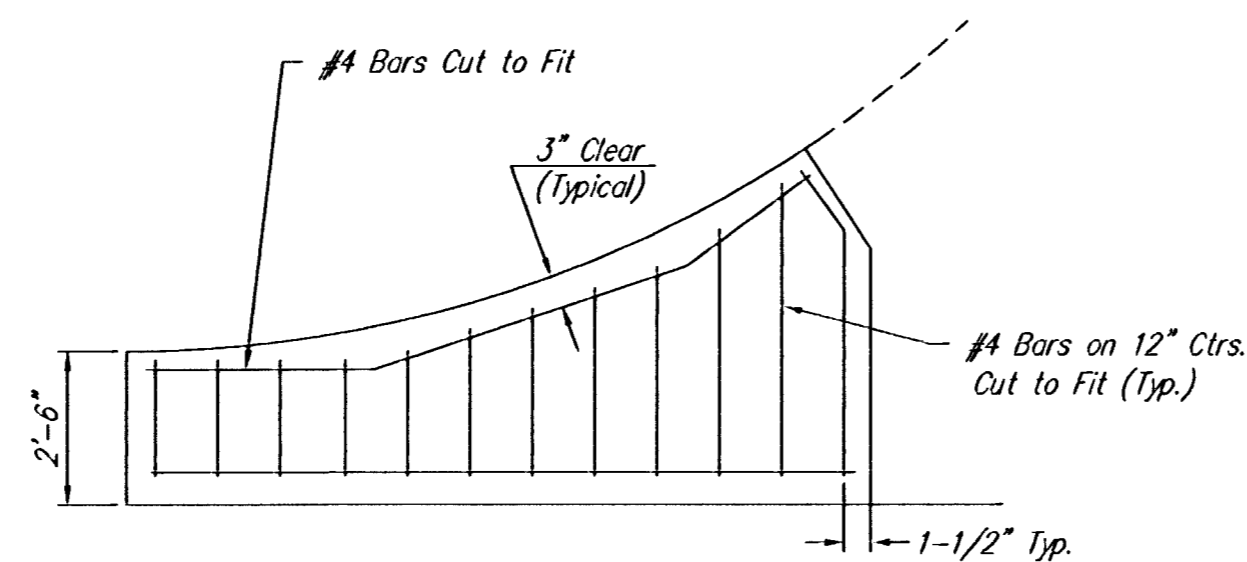
OPTIONAL CONTRACTION JOINT



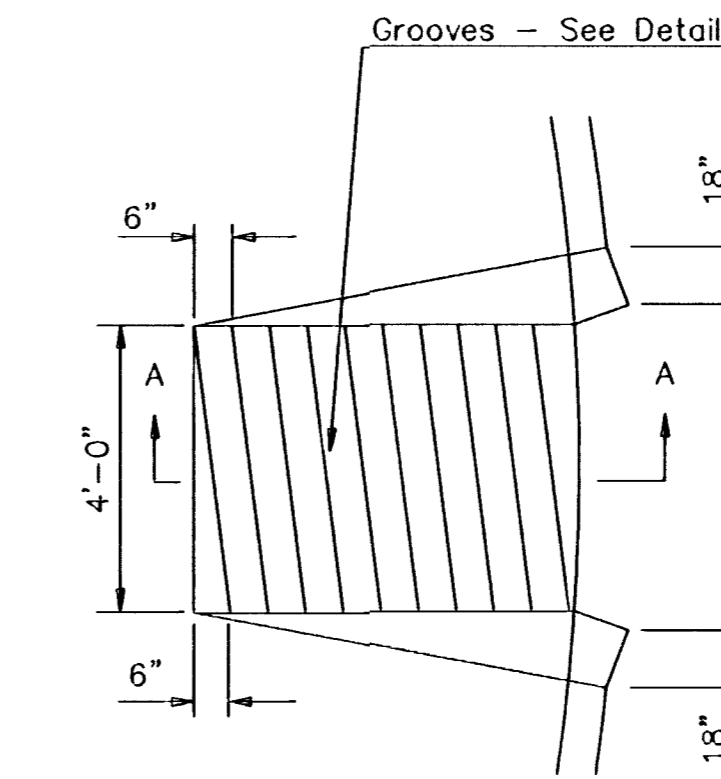
SAW JOINT DETAIL



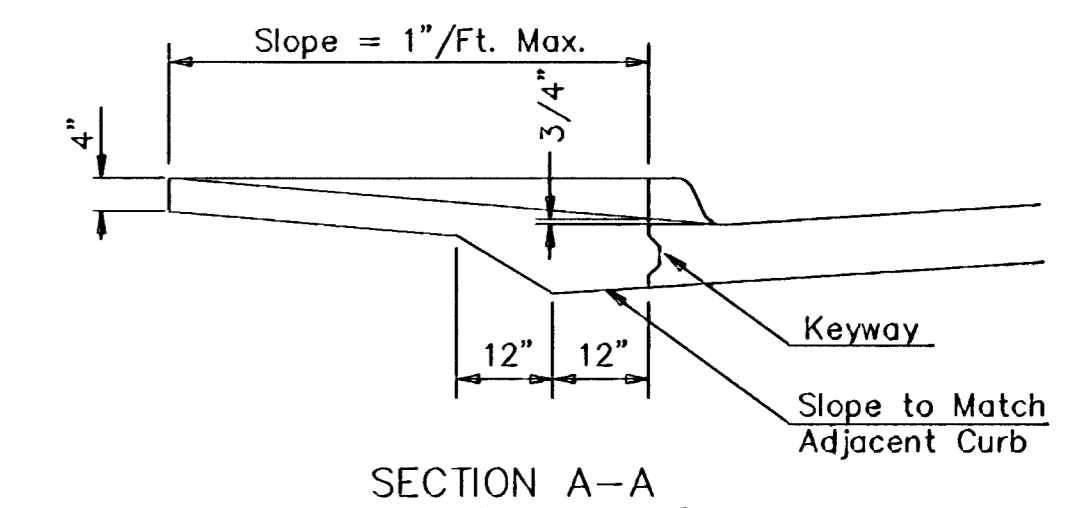
KEYWAY DETAIL



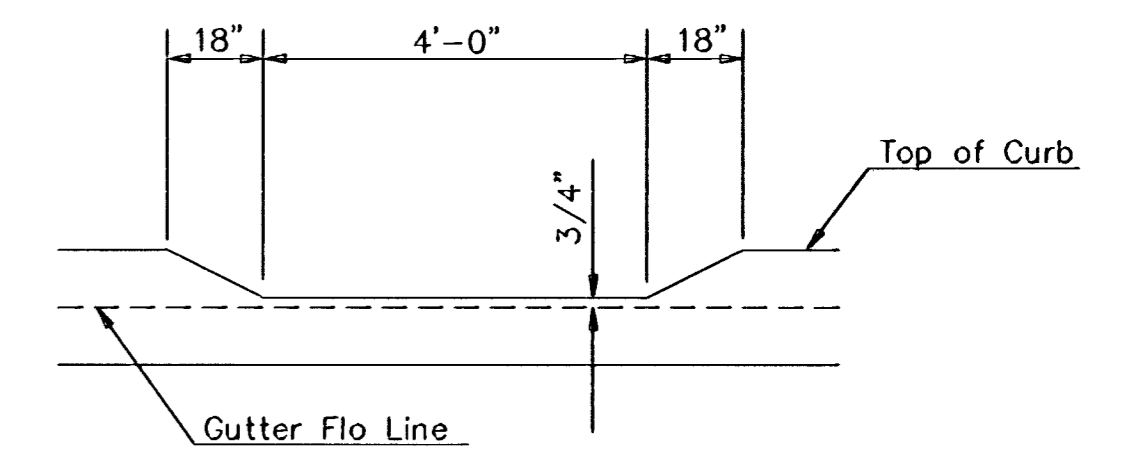
WING REINFORCING DETAIL



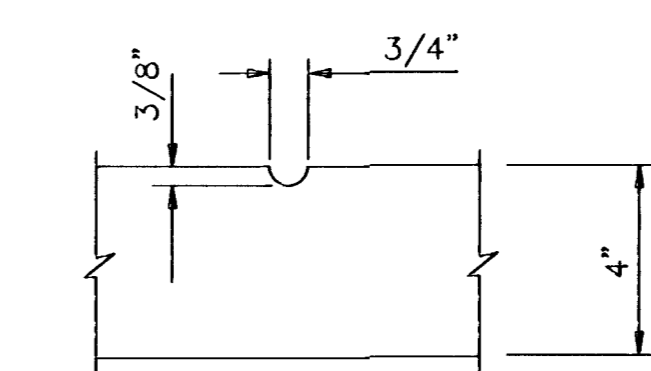
WHEELCHAIR RAMP PLAN VIEW



SECTION A-A

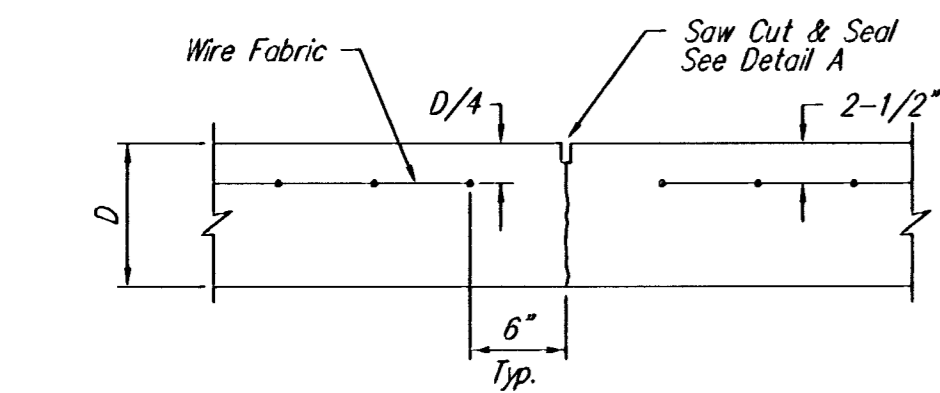


DEPRESSED CURB DETAIL

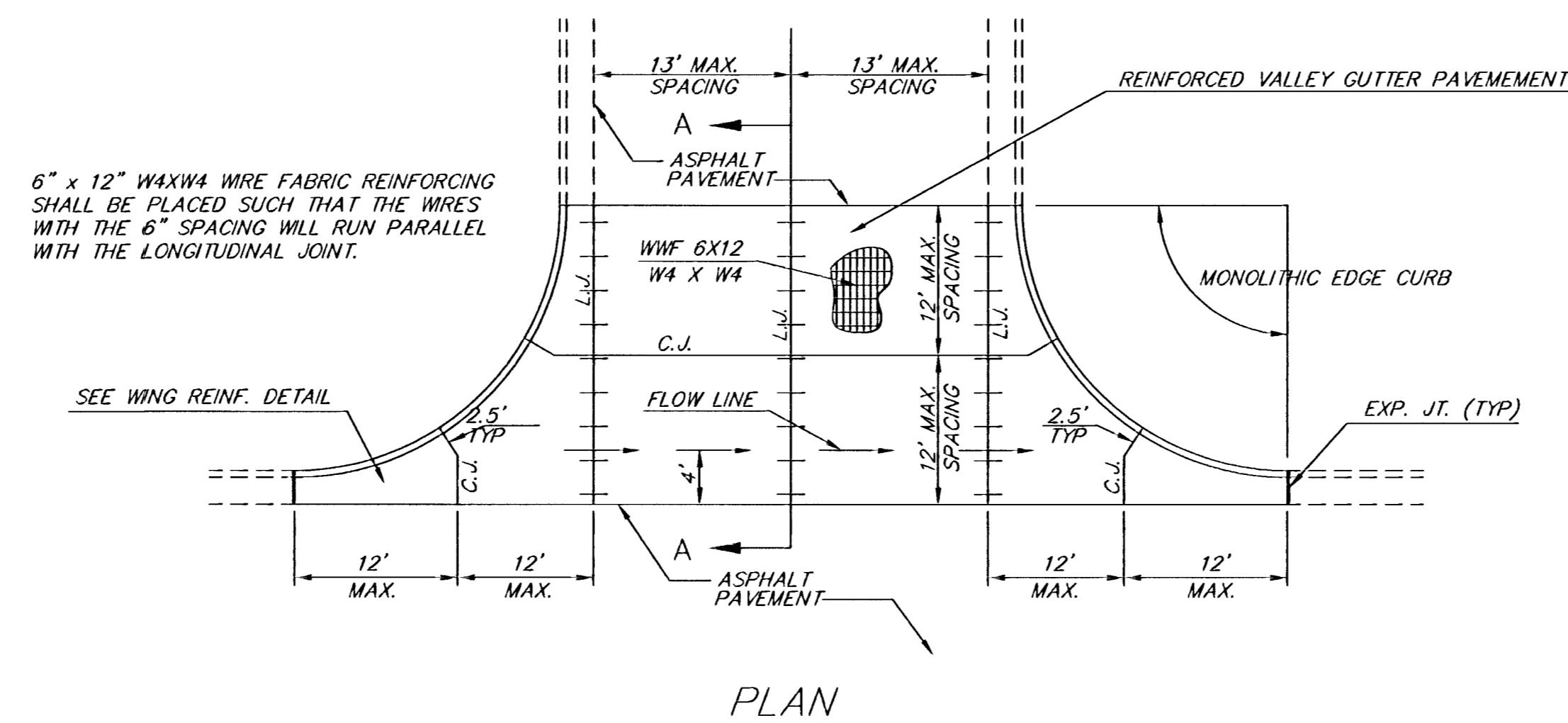


GROOVE DETAIL

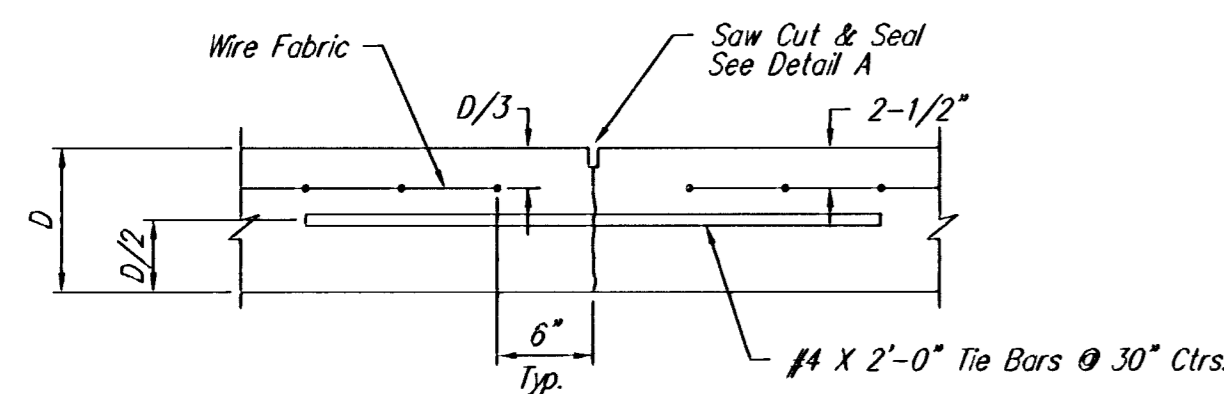
WHEELCHAIR RAMP DETAIL



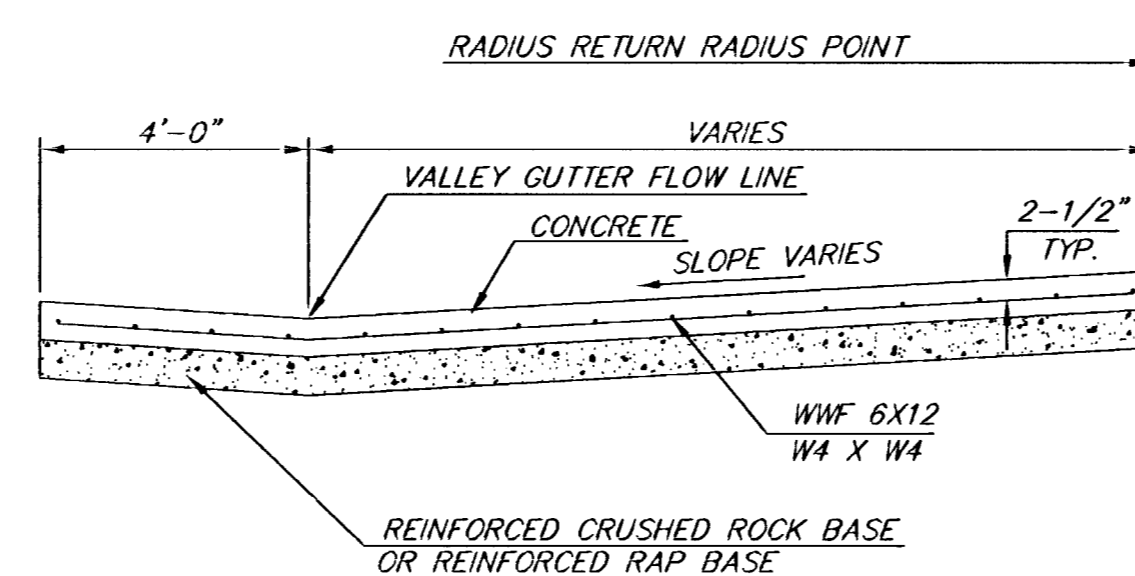
CONTRACTION JOINT DETAIL (C.J.)



PLAN

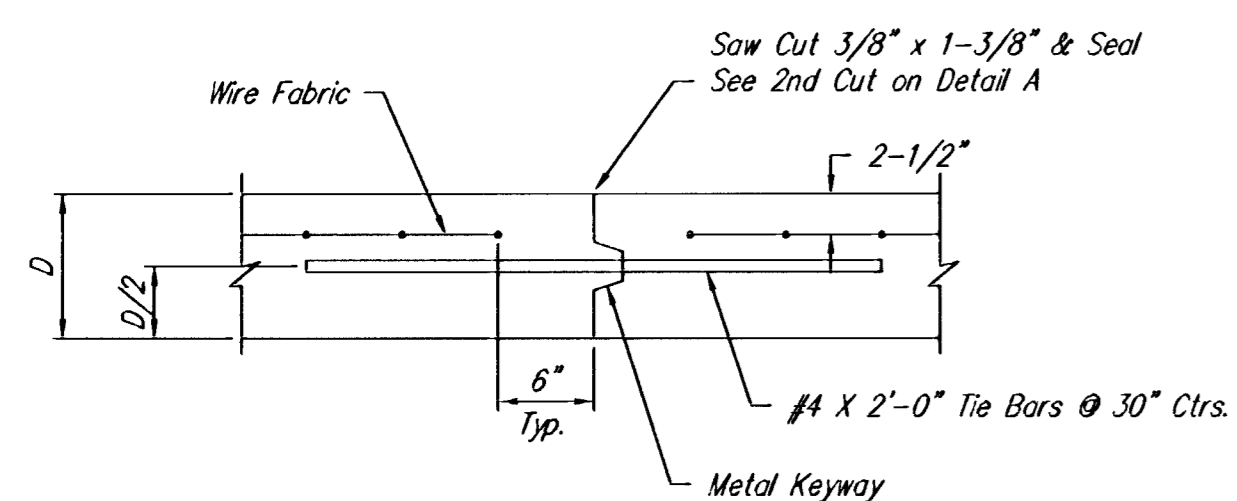


LONGITUDINAL JOINT DETAIL (L.J.)



SECTION A-A

REINFORCED VALLEY GUTTER DETAIL



OPTIONAL LONGITUDINAL JOINT DETAIL (L.J.)

<p>THE CITY OF WICHITA</p> <p>CITY ENGINEER'S OFFICE 455 NORTH MAIN STREET WICHITA, KANSAS 67202 (316) 268-4501 (316) 268-4114 FAX</p>	<p>VALLEY GUTTER DETAILS</p> <p>WHEELCHAIR RAMP DETAILS</p>	
	<p>N. D. Cable P.E. - CITY ENGINEER</p>	
	<p>FILE NAME VALYGUT</p>	<p>PROJECT # 472-83705</p>
	<p>DATE MAR 96</p>	<p>SHEET 3 OF 11</p>