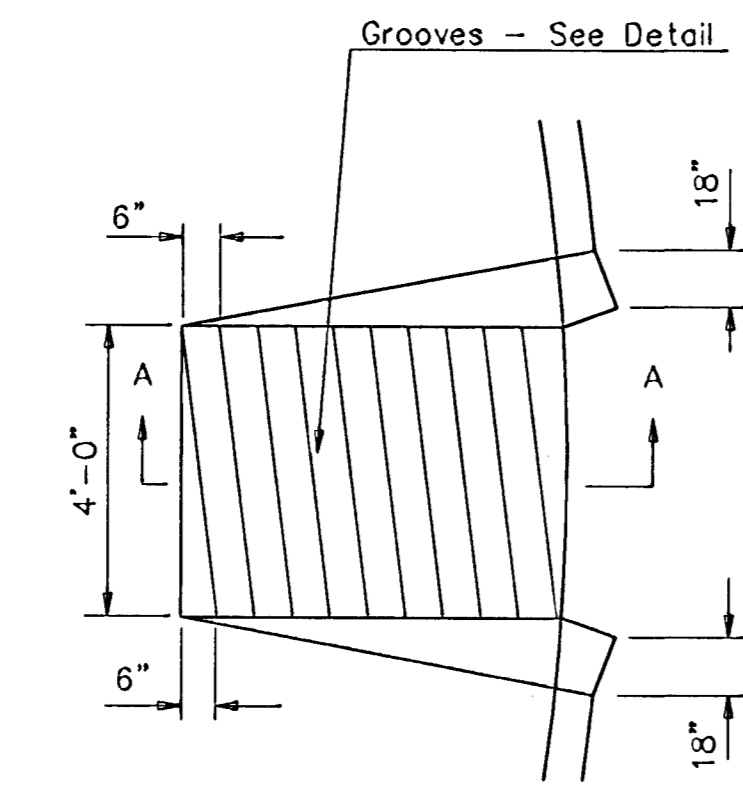
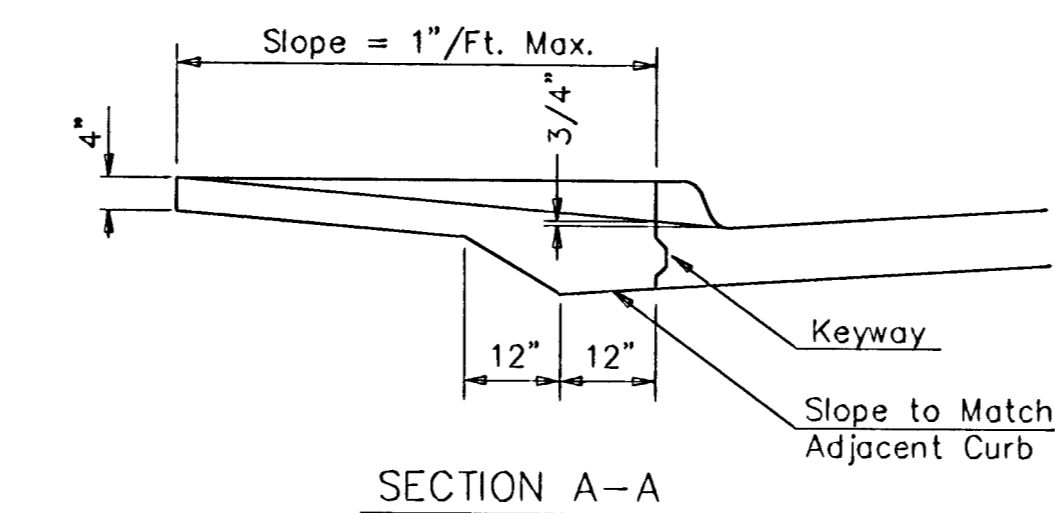


EXPANSION JOINT

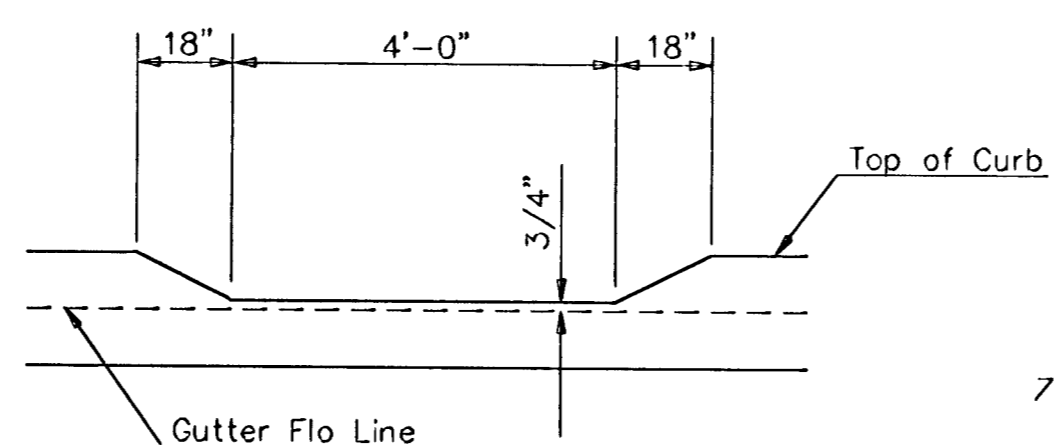
NOTE: Extra Thickness to be Subsidiary to Price of Square Yards Pavement



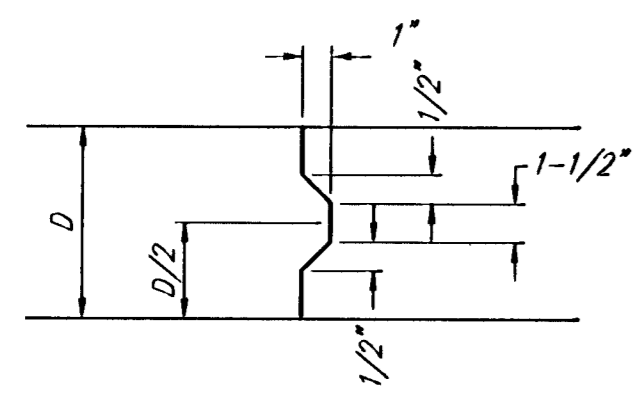
WHEELCHAIR RAMP PLAN VIEW



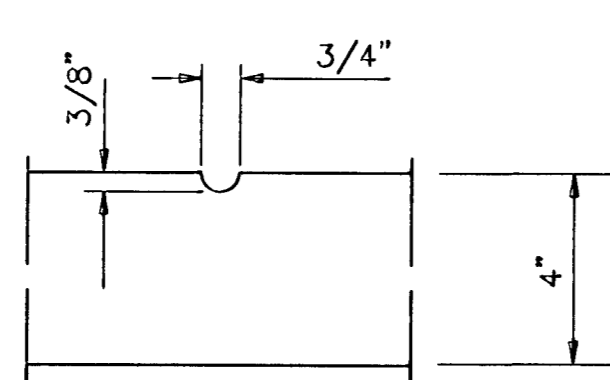
SECTION A-A



DEPRESSED CURB DETAIL

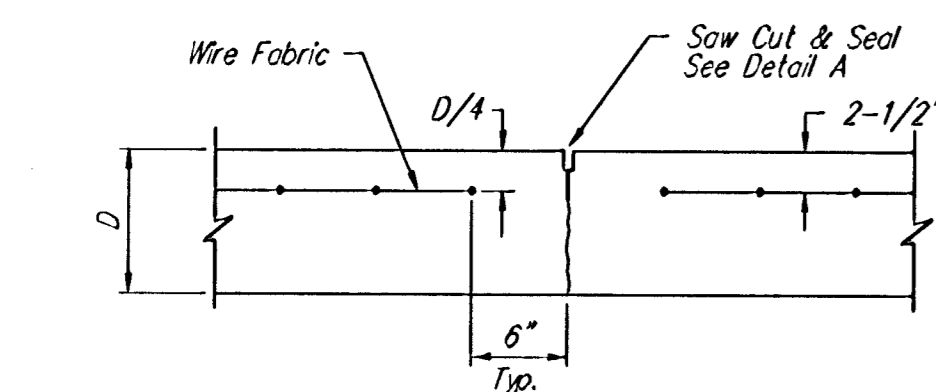
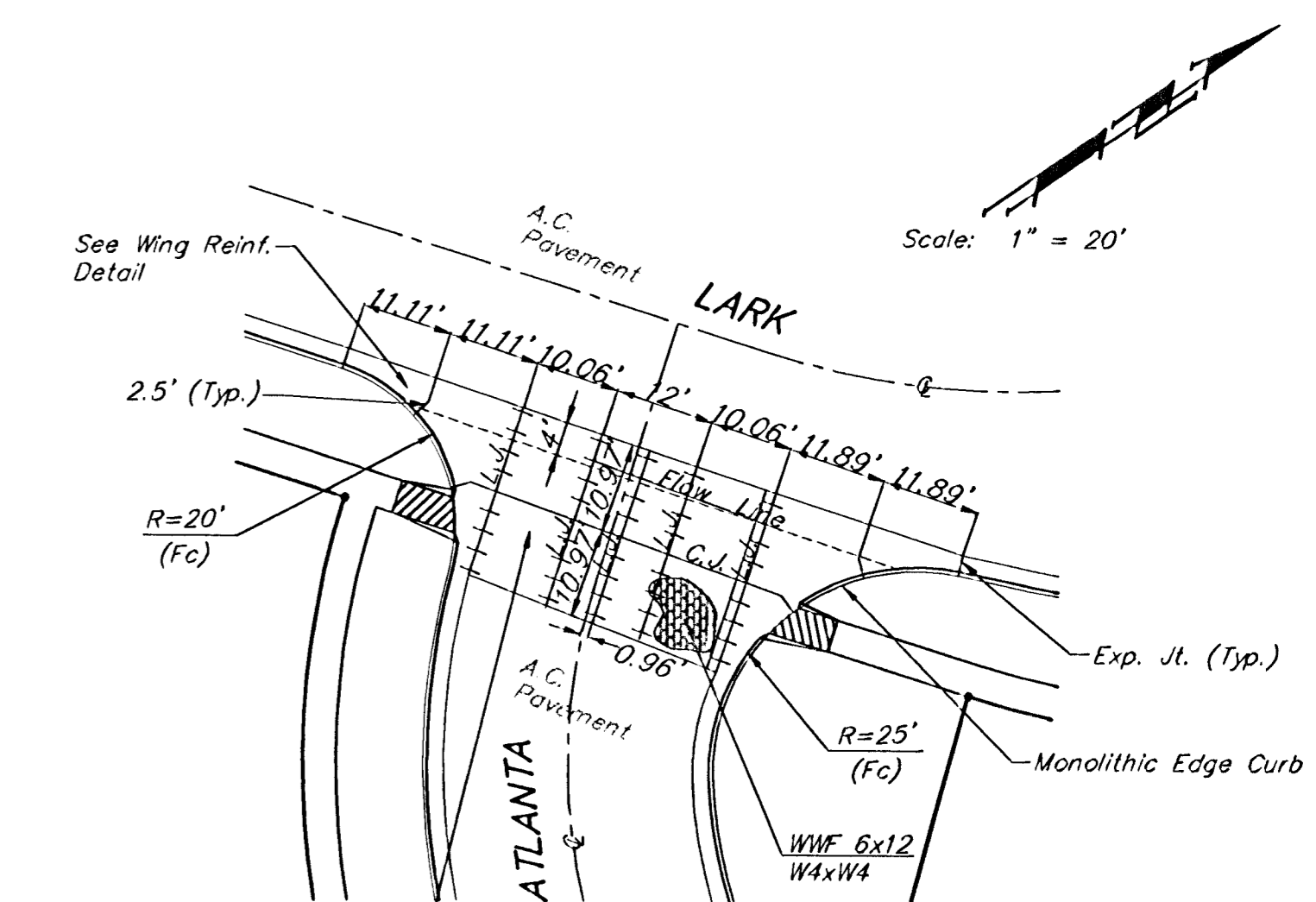
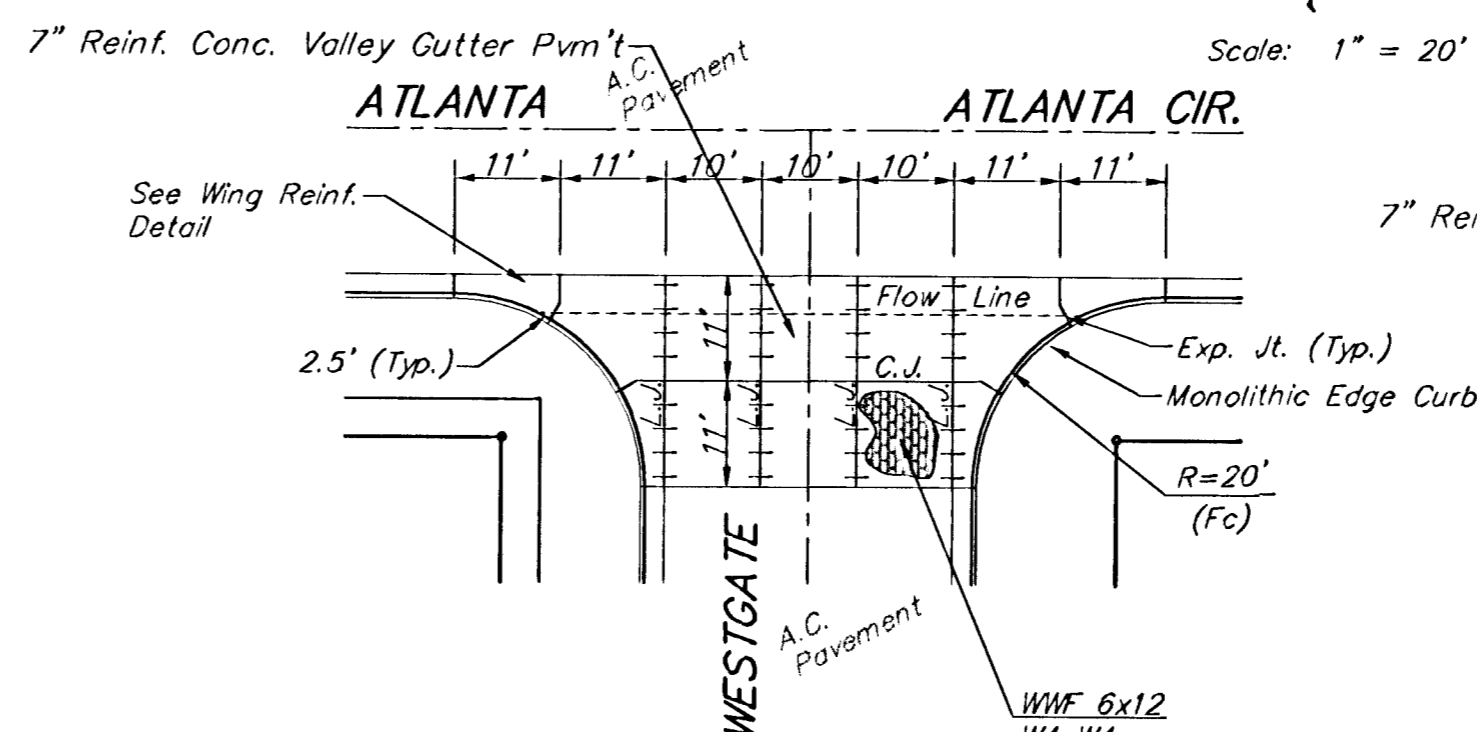


KEYWAY DETAIL

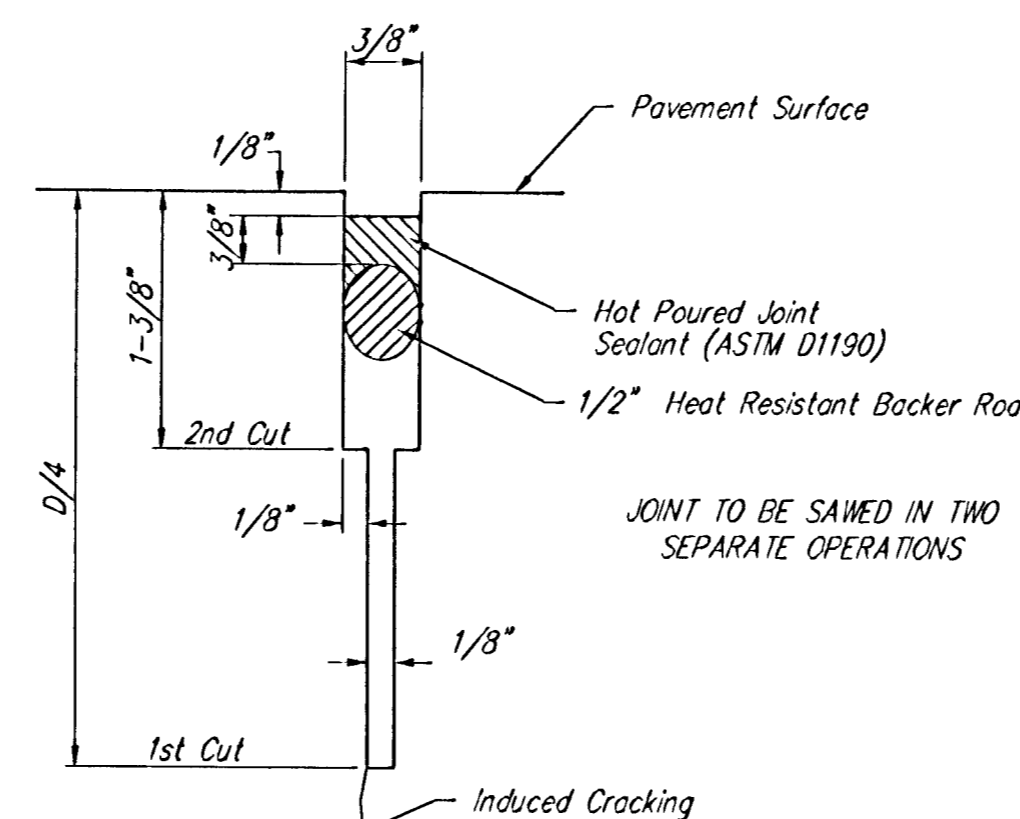


GROOVE DETAIL

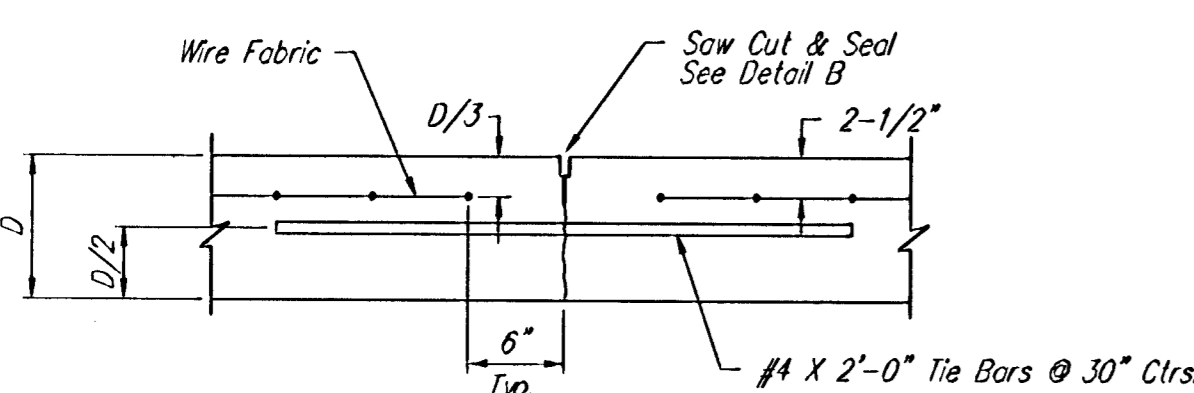
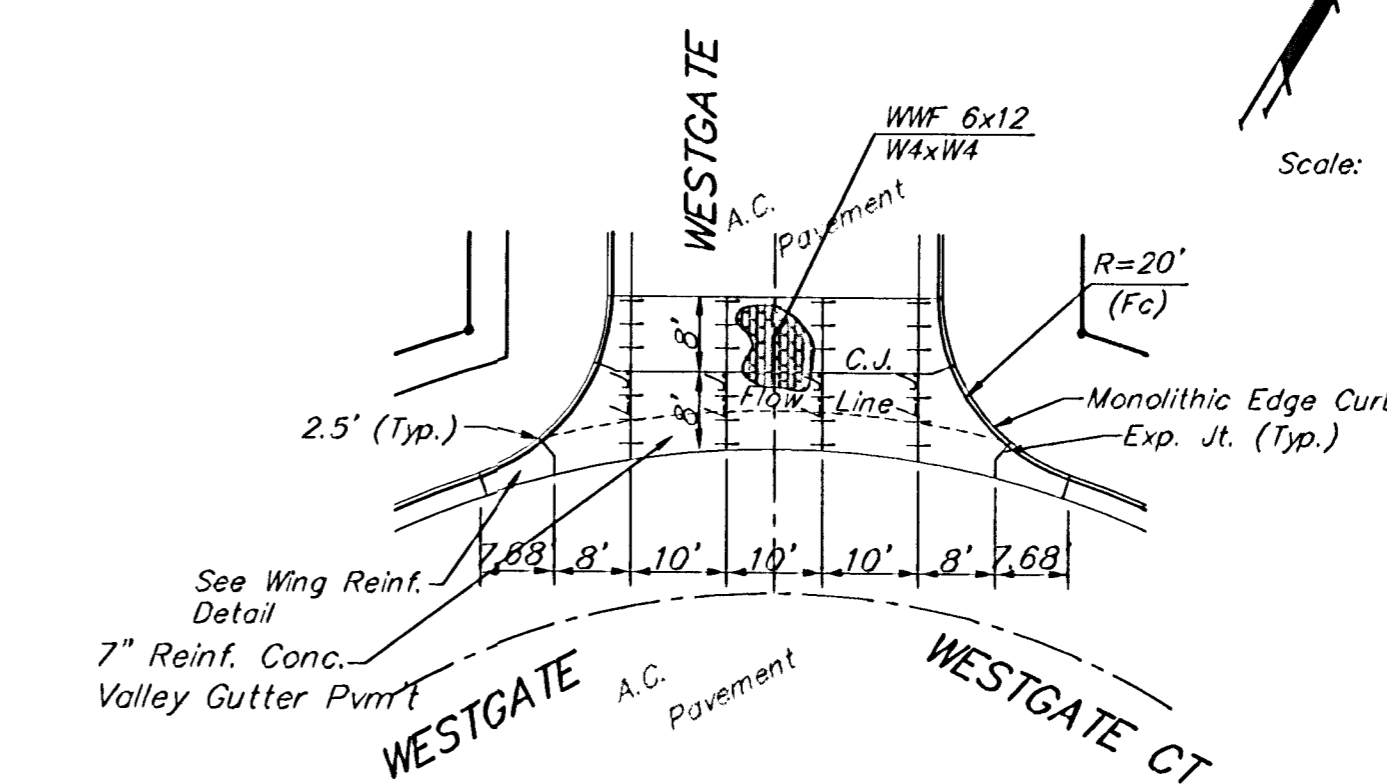
WHEELCHAIR RAMP DETAIL



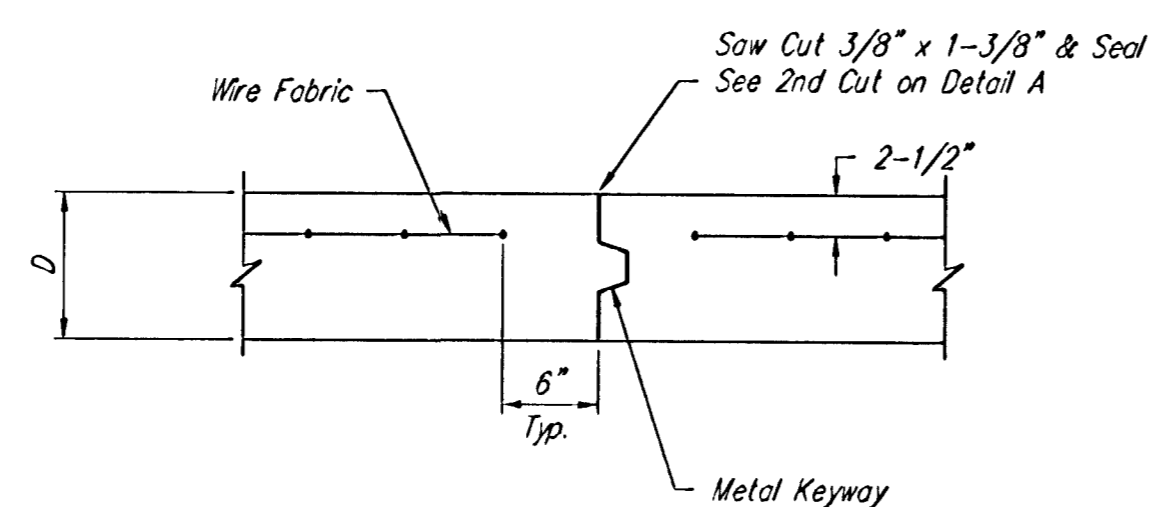
CONTRACTION JOINT DETAIL (C.J.)



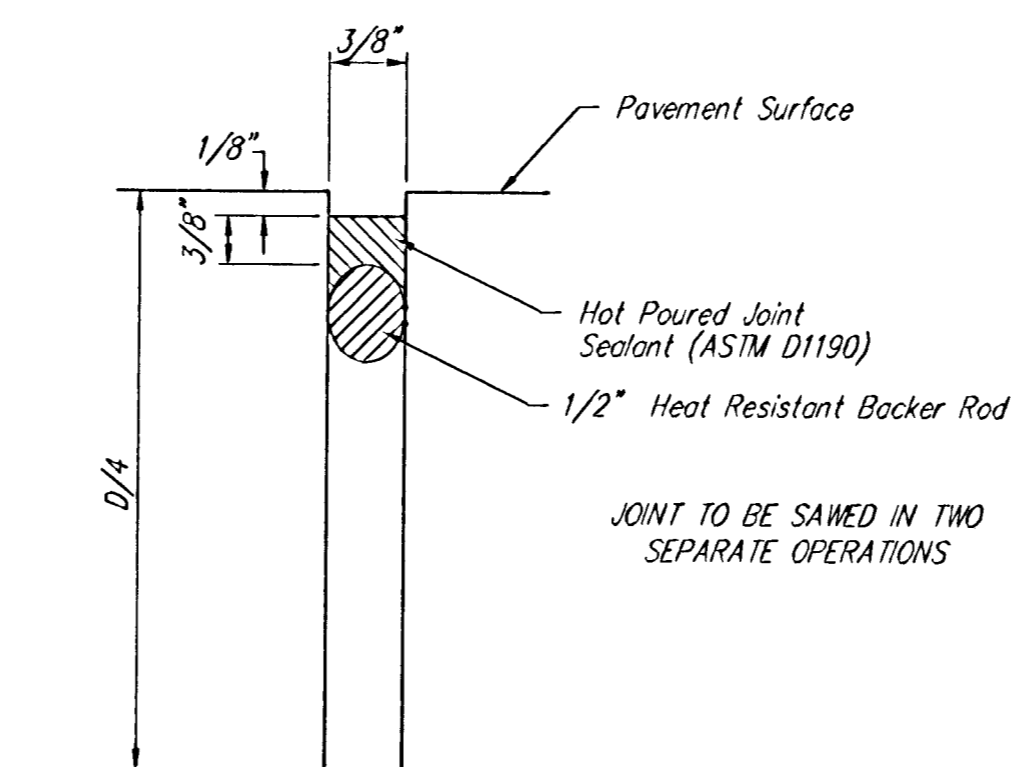
SAW JOINT DETAIL "A"



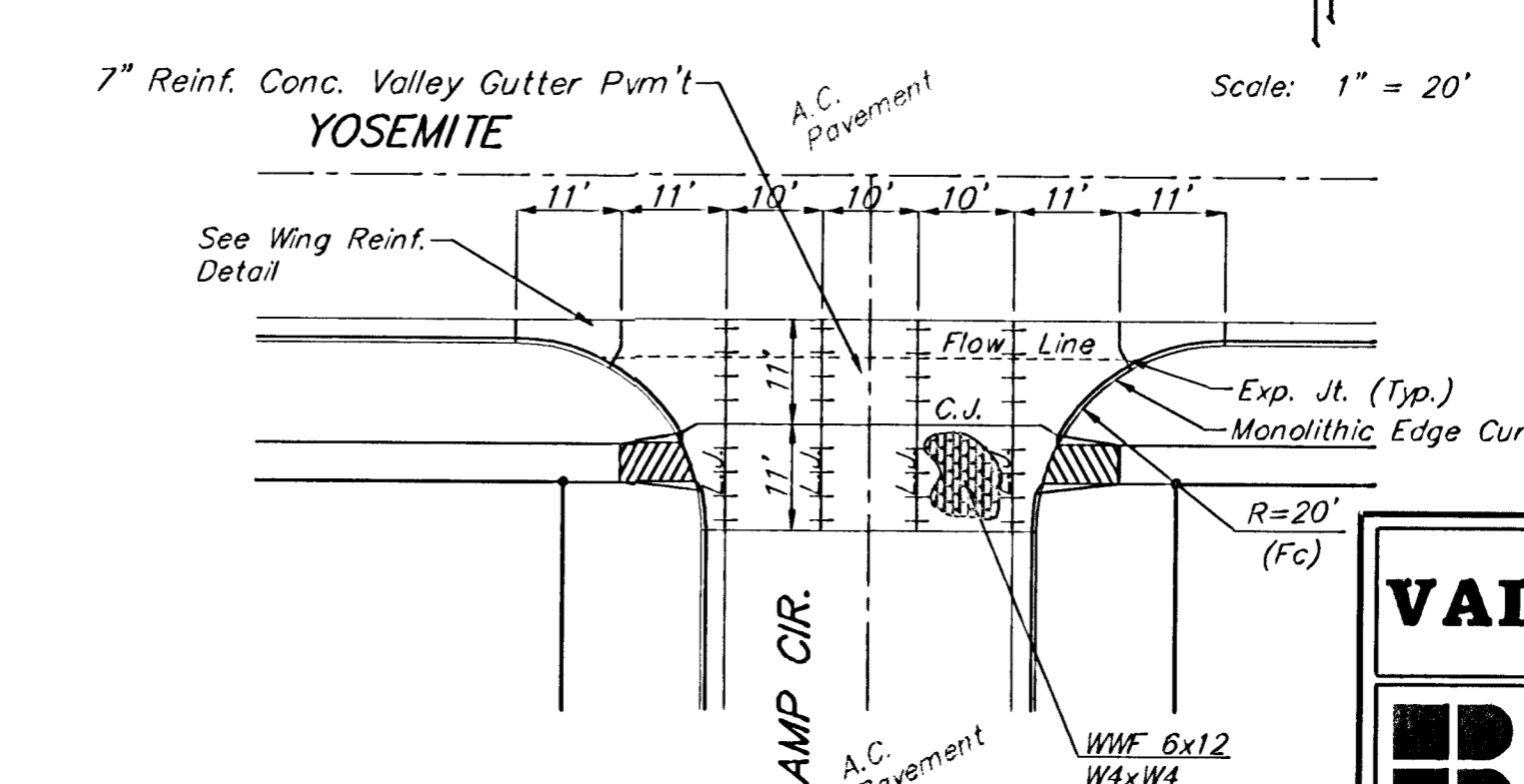
LONGITUDINAL JOINT DETAIL (L.J.)



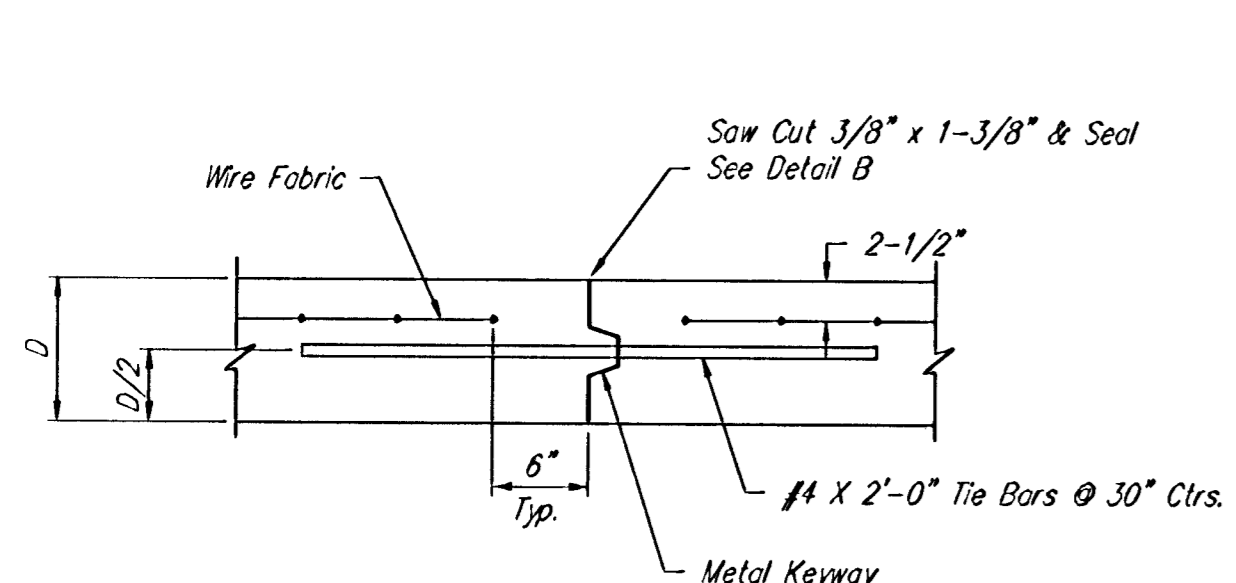
OPTIONAL CONTRACTION JOINT (CONSTRUCTION JOINT)



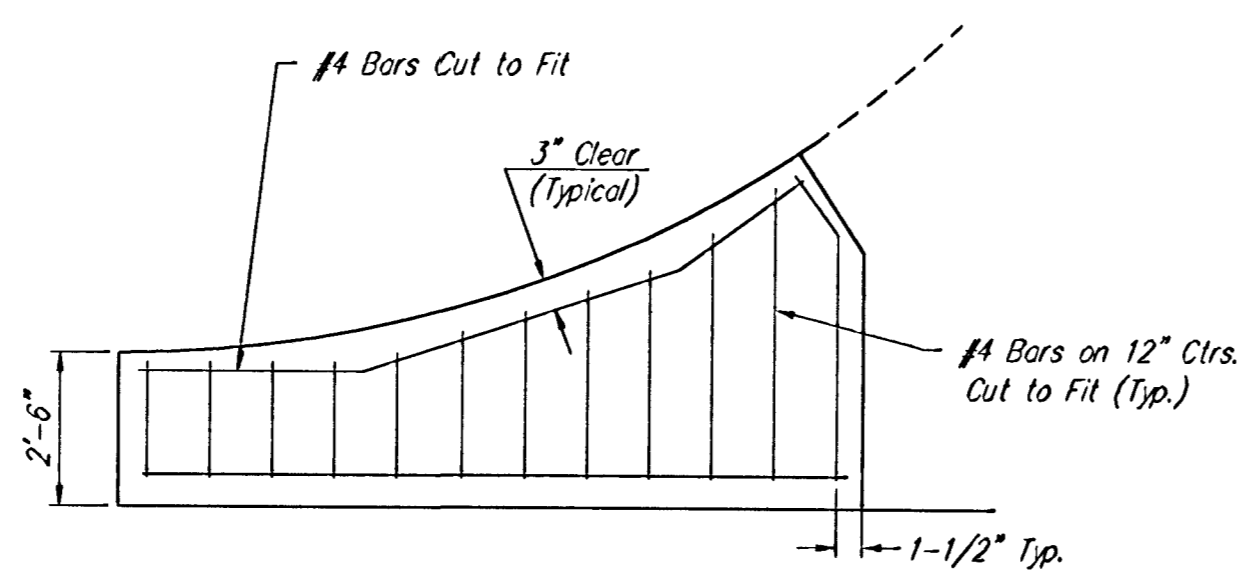
SAW JOINT DETAIL "B"



NOTE: 6" X 12" WAXWA Wire Fabric Reinforcing Shall Be Placed So That The Wires With The 6" Spacing Will Run Parallel With The Longitudinal Joints.



OPTIONAL LONGITUDINAL JOINT DETAIL (L.J.) (CONSTRUCTION JOINT)



WING REINFORCING DETAIL

VALLEY GUTTER DETAILS

BAUGHMAN COMPANY P.A.
ENGINEERING, SURVEYING, & PLANNING
318-262-7271 • 315 ELLIS • WICHITA, KANSAS 67211

DESIGN STAFF	DRAWN STAFF	APPROVED	DATE 05/03	SCALE NONE	SHEET 4 OF 48
--------------	-------------	----------	------------	------------	---------------

PROJECT NUMBER 472-03801