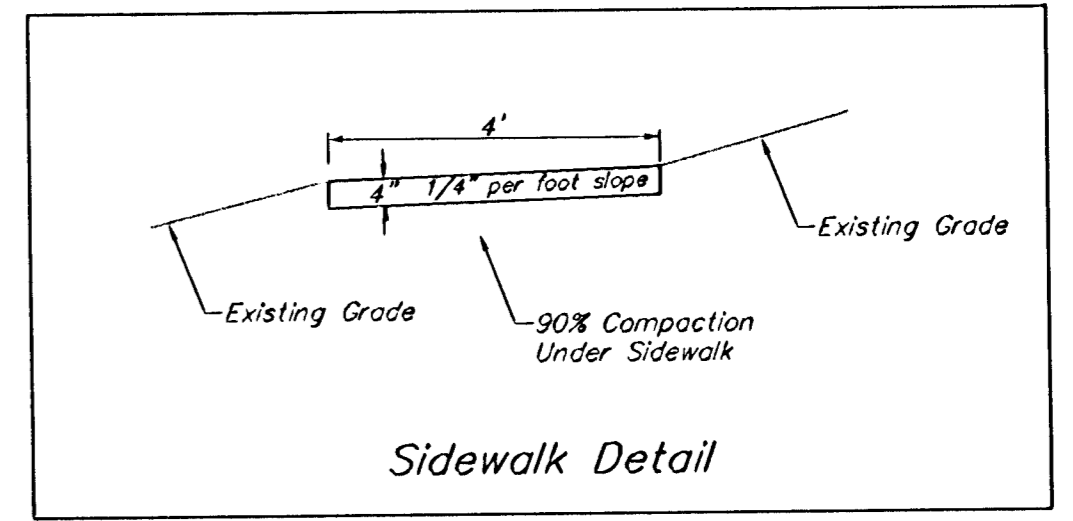
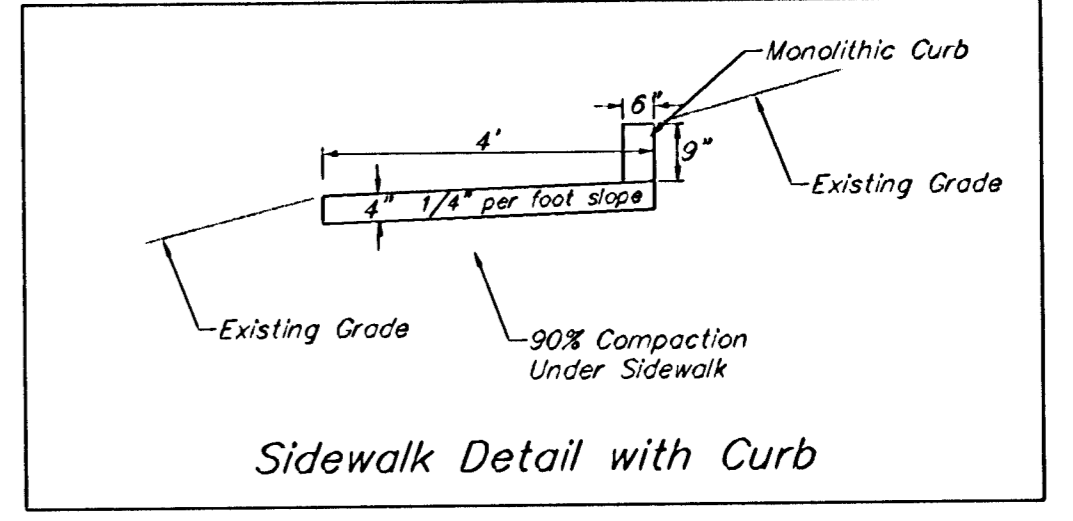


(140) Existing Grade
 140 Proposed Grade

Pond Data:
 Static WS Elev. = 131.0 City Datum
 Design WS Elev. = 137.3 City Datum
 Peak Discharge = 110 cfs

Construct 300 L.F. Monolithic Curb on Sidewalk. Cost Subsidiary to bid item, "Sidewalk." See Detail, This Sheet.

Construct 9,022 S.F. 4' sidewalk as indicated.



1. All costs including labor, materials, grading, etc. shall be included in bid item "Sidewalk." Sidewalk construction shall conform to City of Wichita Standard Specifications.
2. Contractor to Remove and Replace all Erosion Control as Necessary for Construction.

Remove trees ONLY as necessary for sidewalk construction and as approved by Engineer. Cost of removal to be incidental to lump sum bid item "Site Clearing & Restoration".

SOUTHERN RIDGE ADDITION
SIDEWALK PLAN
 WICHITA, KANSAS

BAUGHMAN COMPANY P.A.
 ENGINEERING, SURVEYING, & PLANNING
 315-262-7271 • 315 ELLIS • WICHITA, KANSAS 67211

PROJECT NUMBER		DATE		SCALE	
472-03881		05/03		Noted	
DESIGN	DRAWN	APPROVED	DATE	SCALE	SHEET
NGW	TMS		05/03	Noted	20 OF 48

02-17-E464