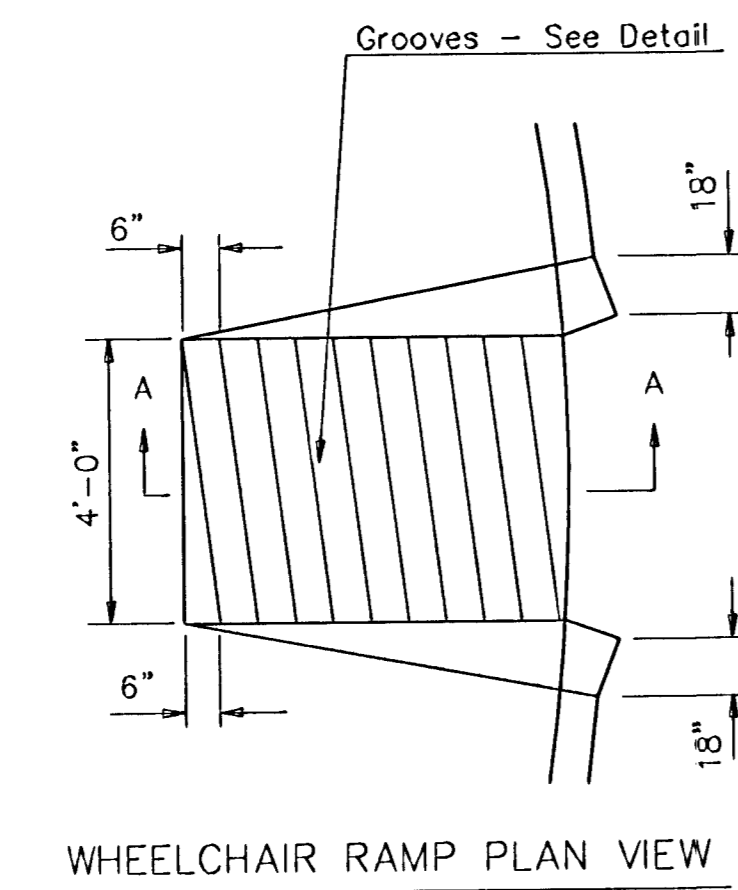
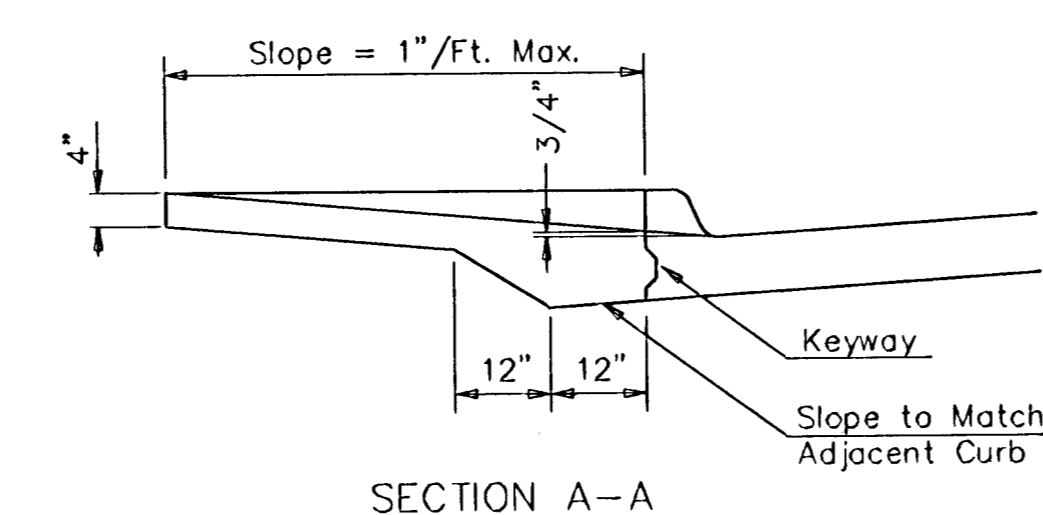


**EXPANSION JOINT**

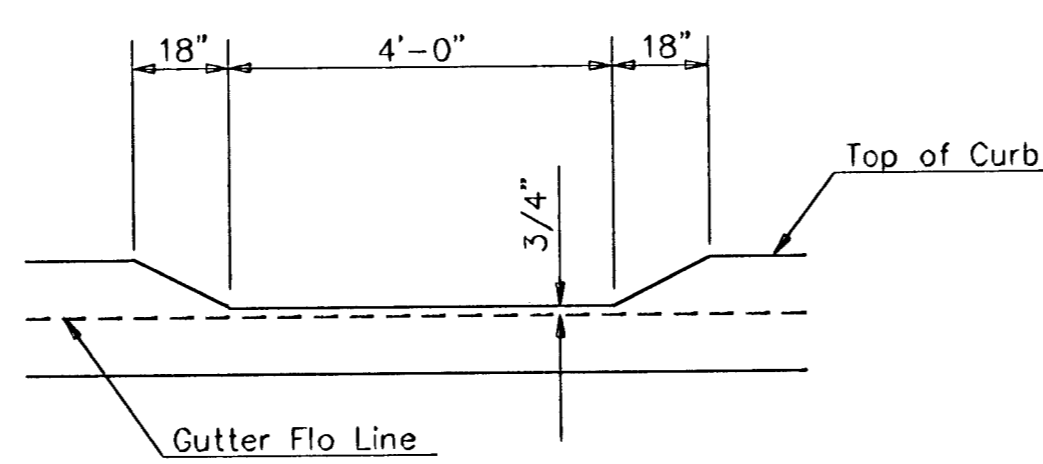
NOTE: Extra Thickness to be Subsidiary to Price of Square Yards Pavement



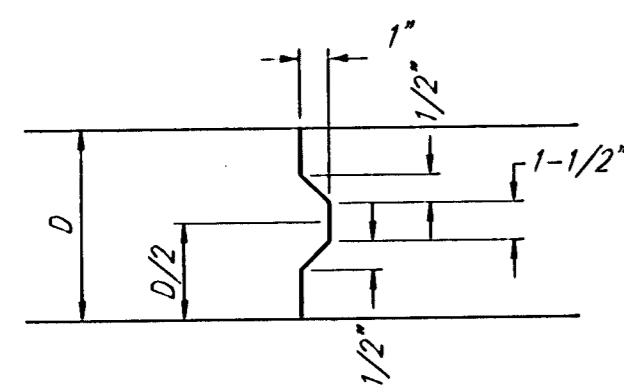
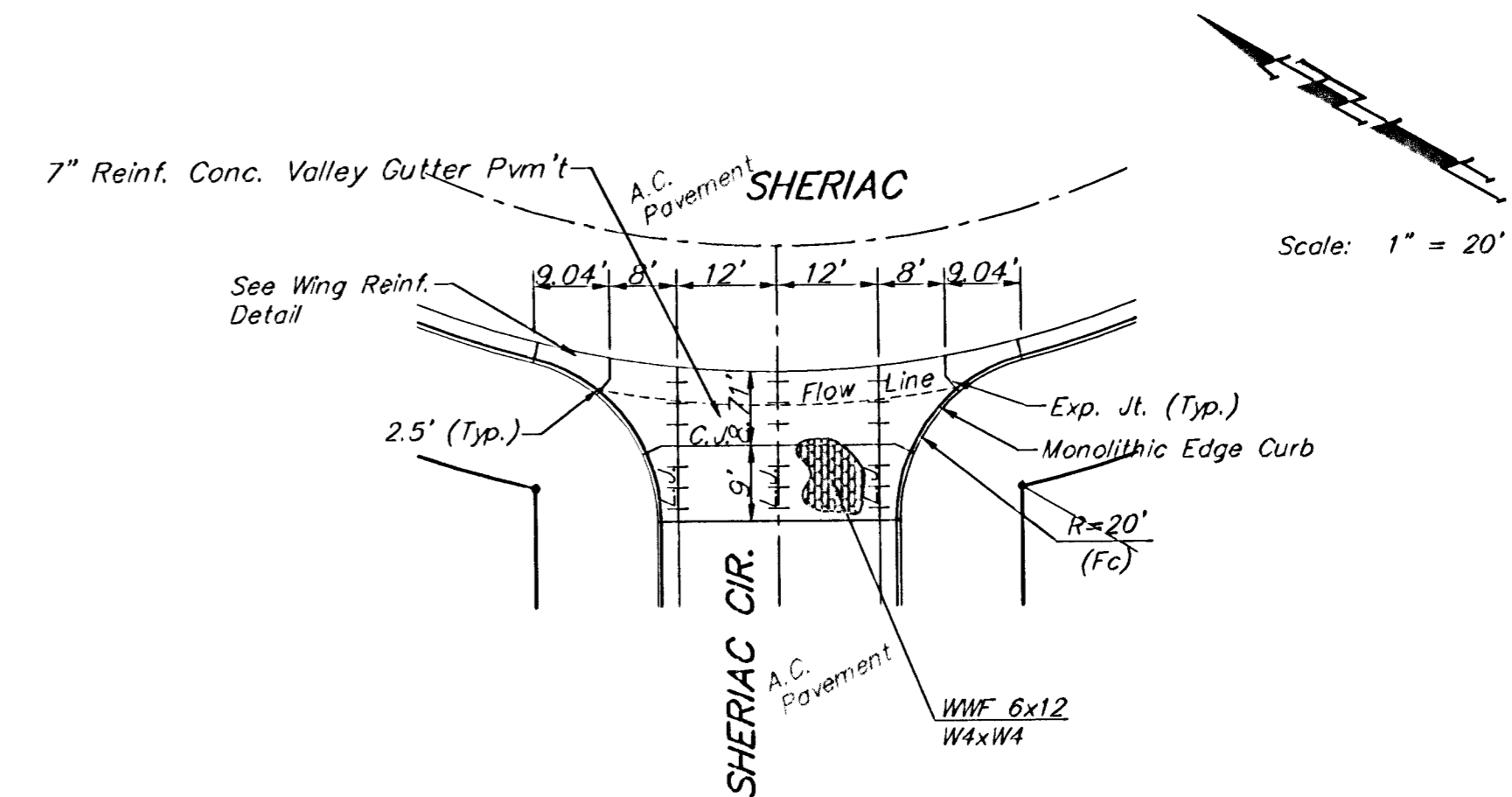
**WHEELCHAIR RAMP PLAN VIEW**



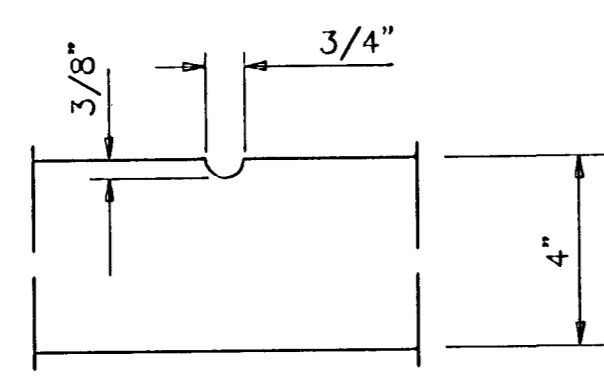
**SECTION A-A**



**DEPRESSED CURB DETAIL**

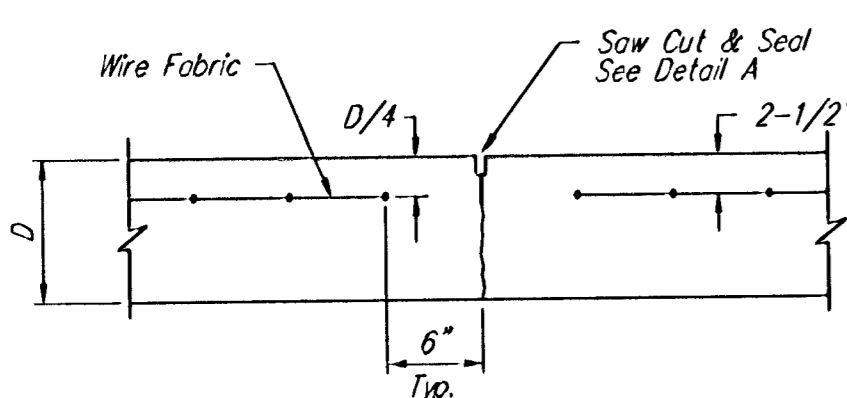


**KEYWAY DETAIL**

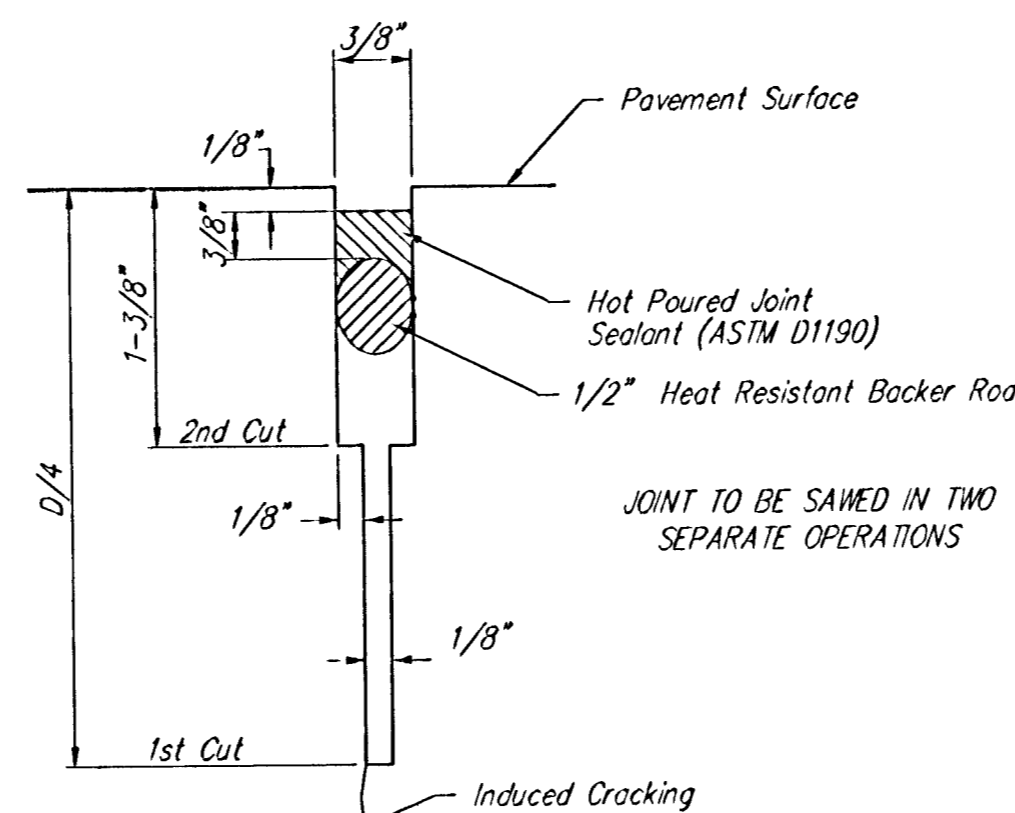


**GROOVE DETAIL**

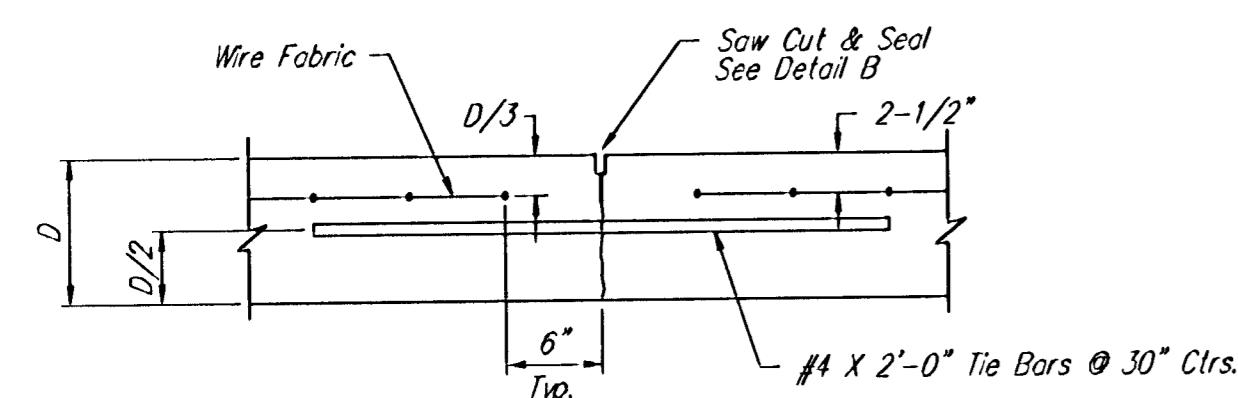
**WHEELCHAIR RAMP DETAIL**



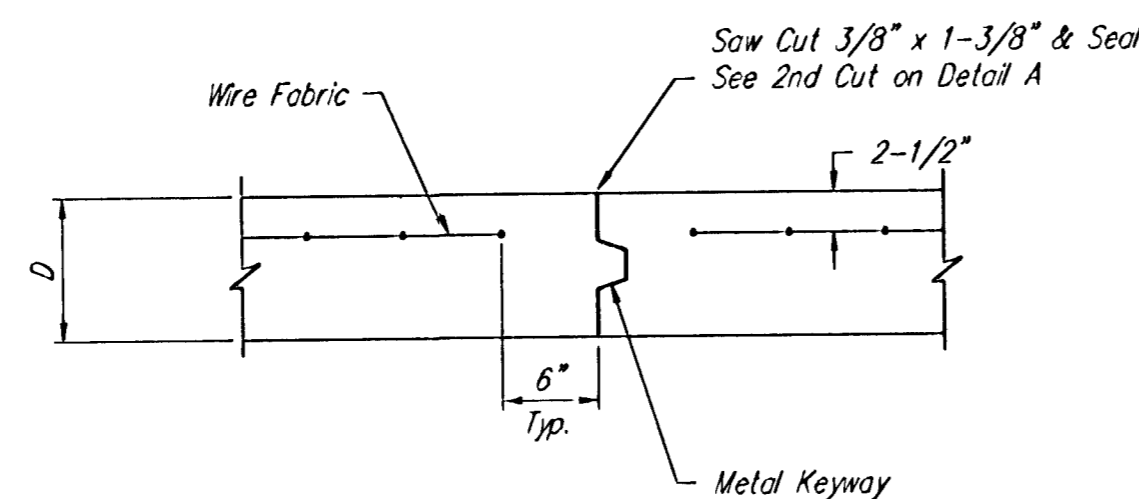
**CONTRACTION JOINT DETAIL (C.J.)**



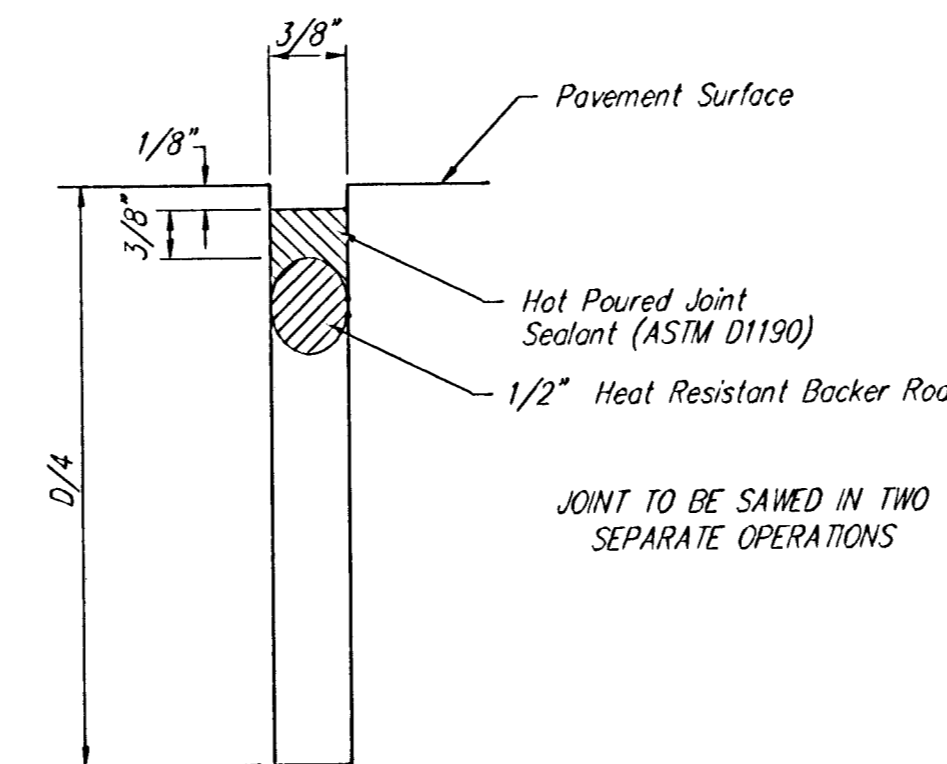
**SAW JOINT DETAIL "A"**



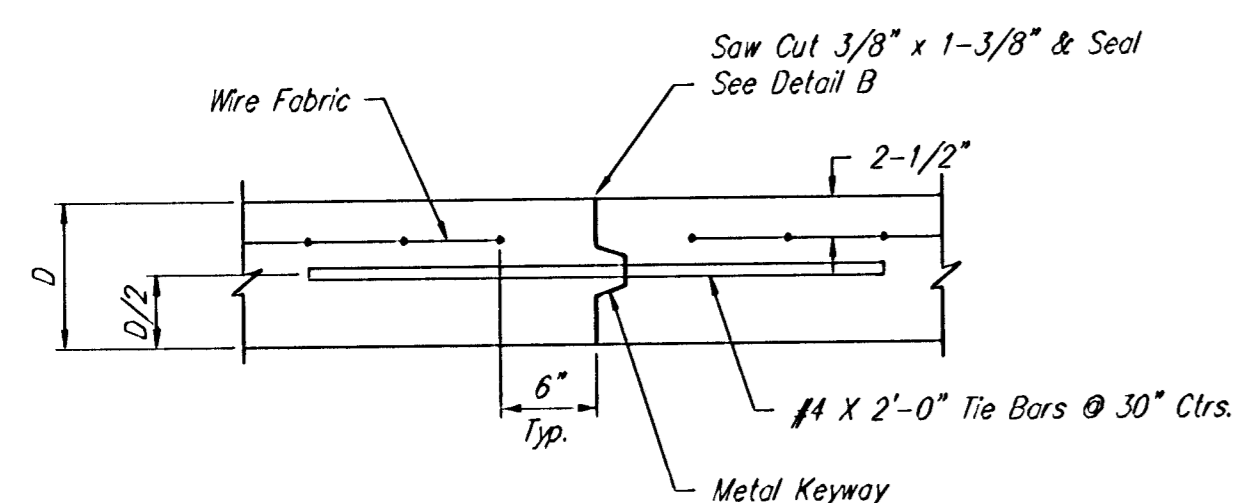
**LONGITUDINAL JOINT DETAIL (L.J.)**



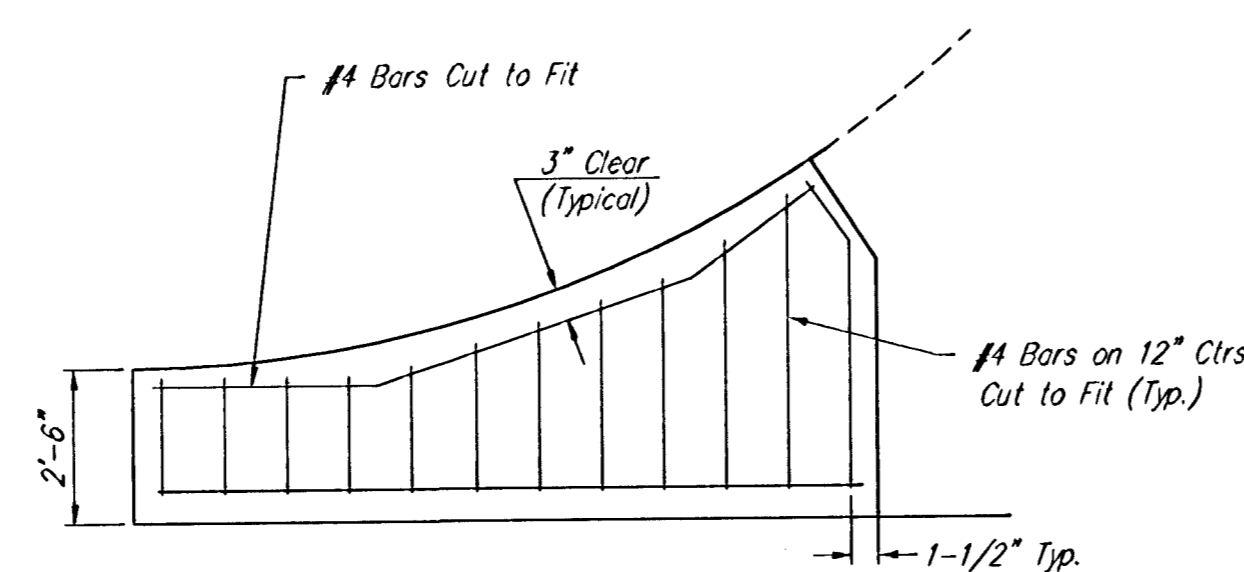
**OPTIONAL CONTRACTION JOINT (CONSTRUCTION JOINT)**



**SAW JOINT DETAIL "B"**



**OPTIONAL LONGITUDINAL JOINT DETAIL (L.J.) (CONSTRUCTION JOINT)**



**WING REINFORCING DETAIL**

NOTE: 6" X 12" W4XW4 Wire Fabric Reinforcing Shall Be Placed So That The Wires With The 6" Spacing Will Run Parallel With The Longitudinal Joints.

**VALLEY GUTTER DETAILS**

**BAUGHMAN COMPANY P.A.**  
ENGINEERING, SURVEYING, & PLANNING  
316-262-7271 • 315 ELLIS • WCHITA, KANSAS 67211

PROJECT NUMBER  
**472-83721**

DESIGN STAFF    DRAWN STAFF    APPROVED    DATE 05-28-03    SCALE NONE    SHEET 5 OF 37