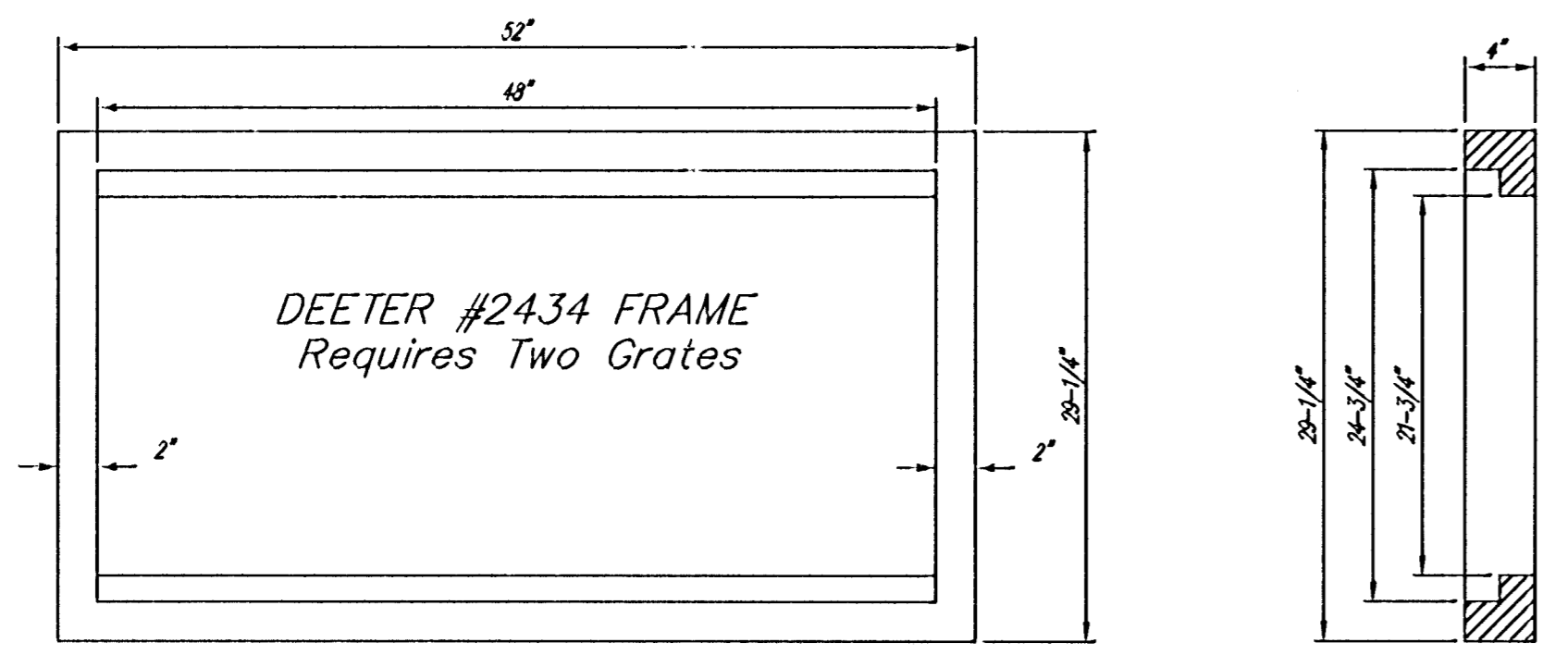


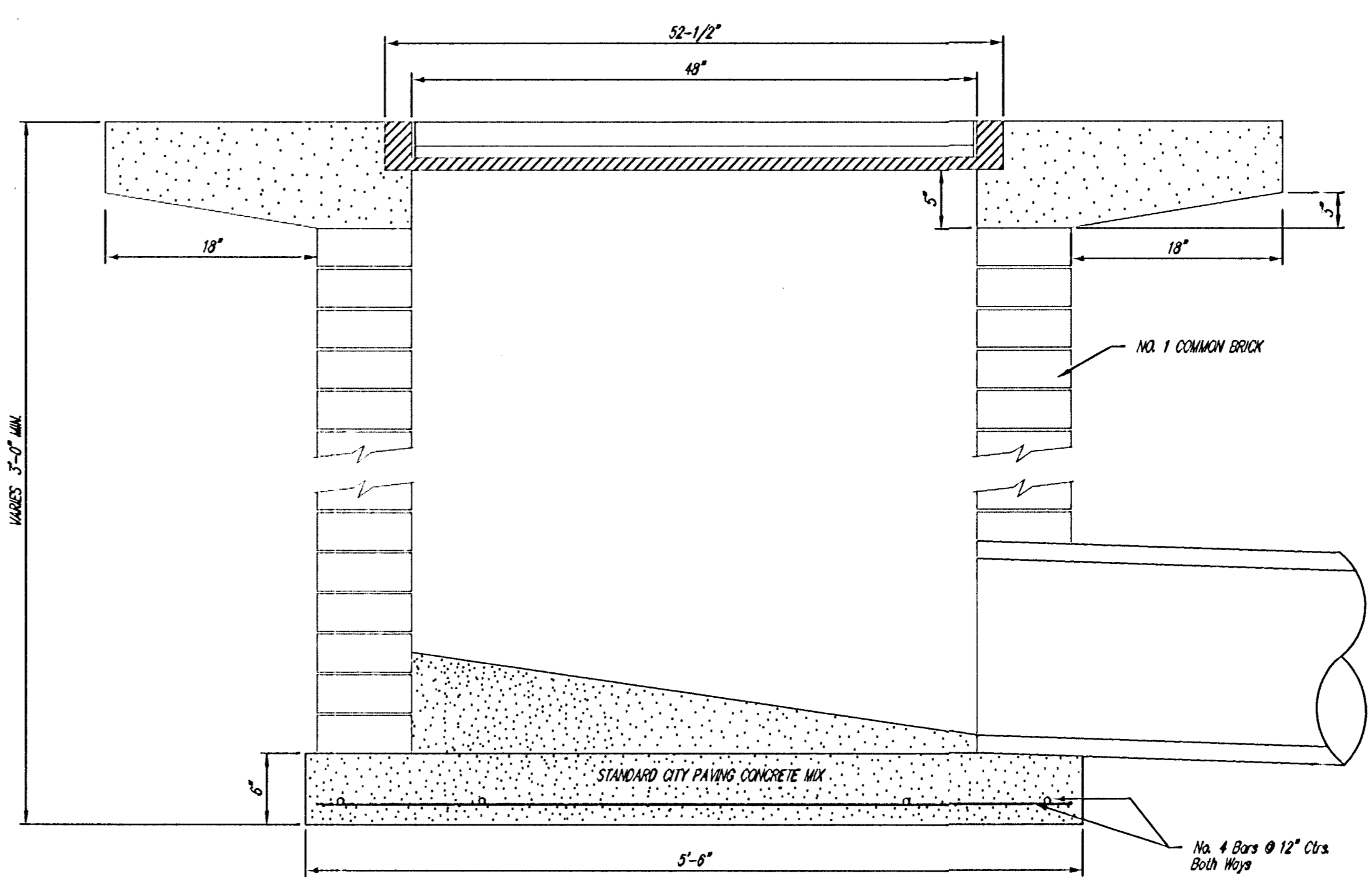
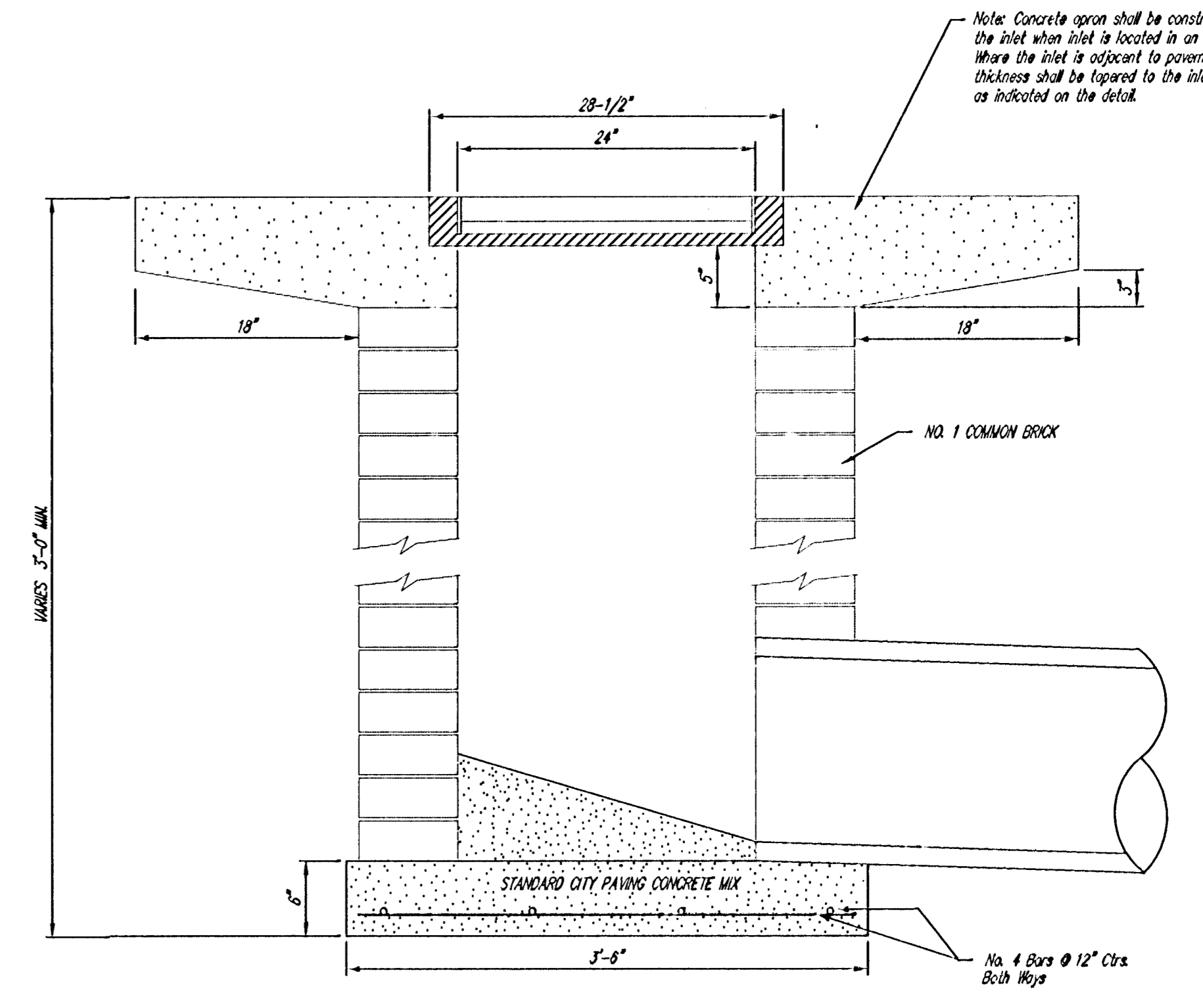
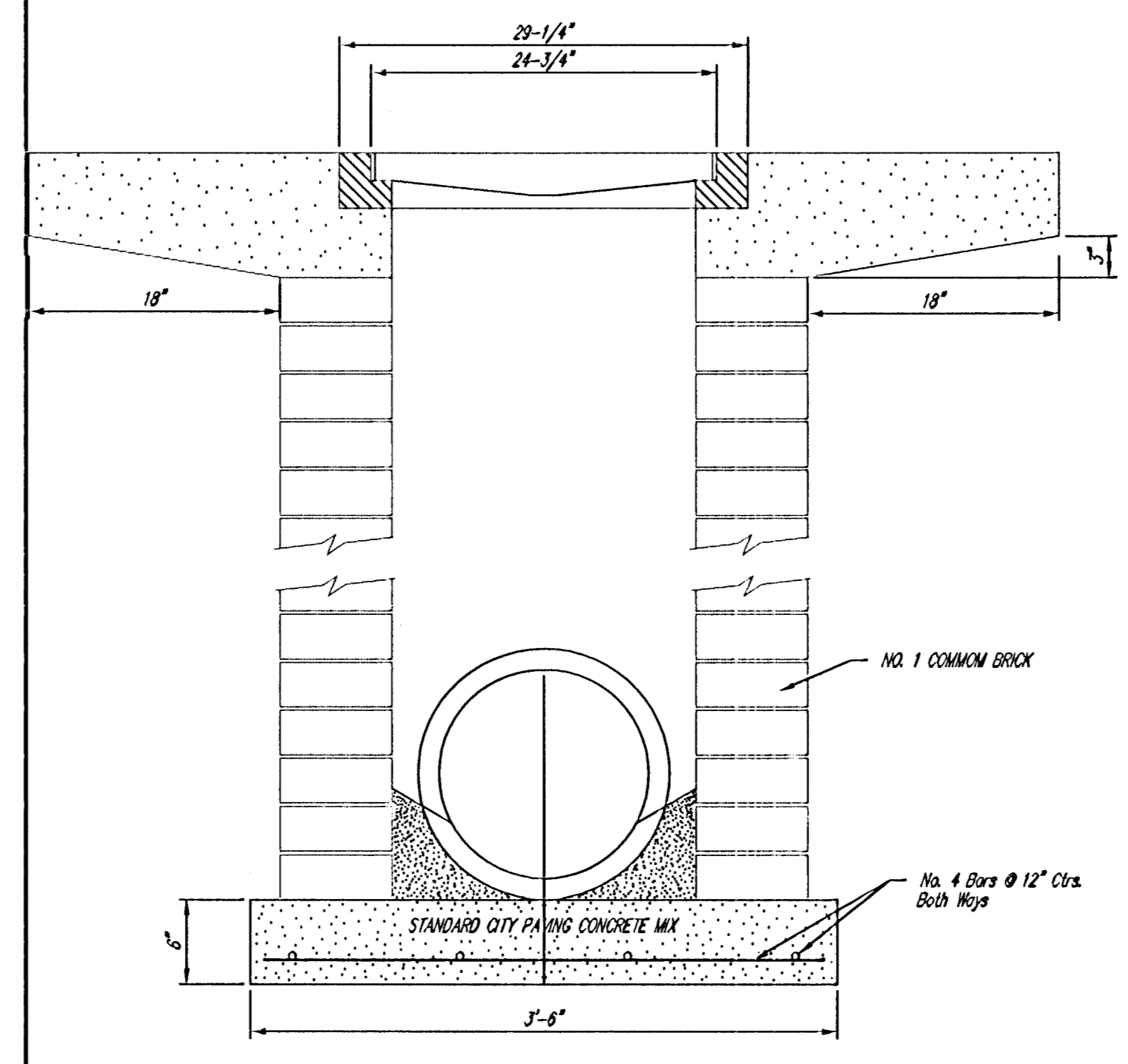
DEETER #2433 GRATE

24" x 24" Frame and Grate Detail

NOTE: Grates shall be imprinted on the top surface with "CITY OF WICHITA" using letters at least 1" in height. Other marking methods may be approved by the engineer.



Double 24" x 24" Frame Detail



	DROP INLET 2' X 2' / 2' X 4'	
	JMI AMERICAN P.E. - CITY ENGINEER	
	PROJECT NUMBER 1627	SHEET NUMBER 007881
	DATE 7/13/06	SHEET 4 OF 4