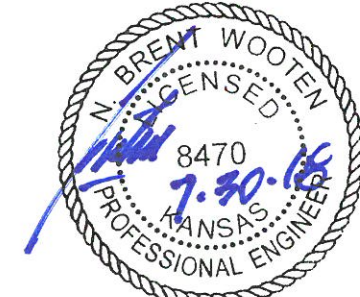
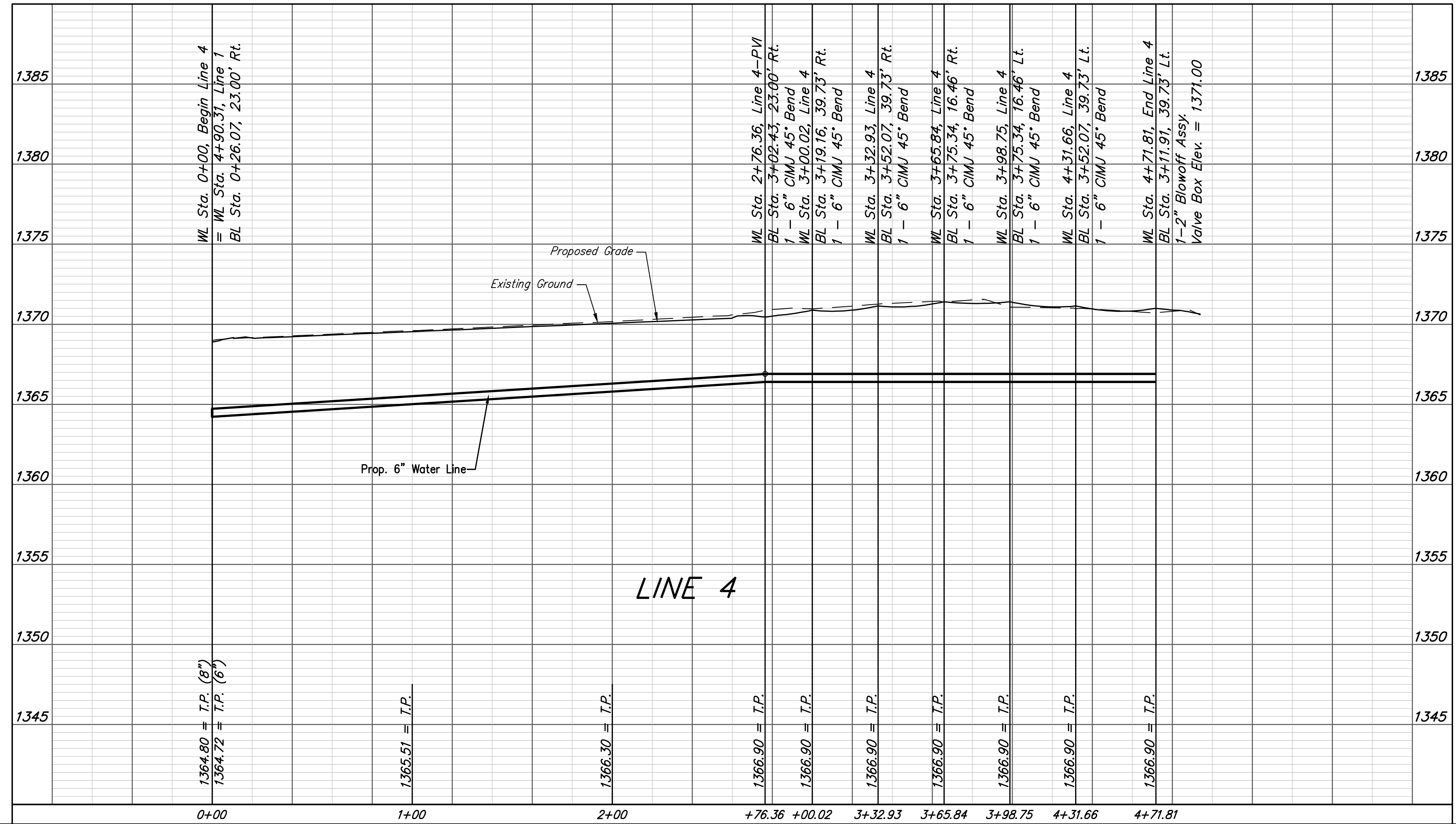
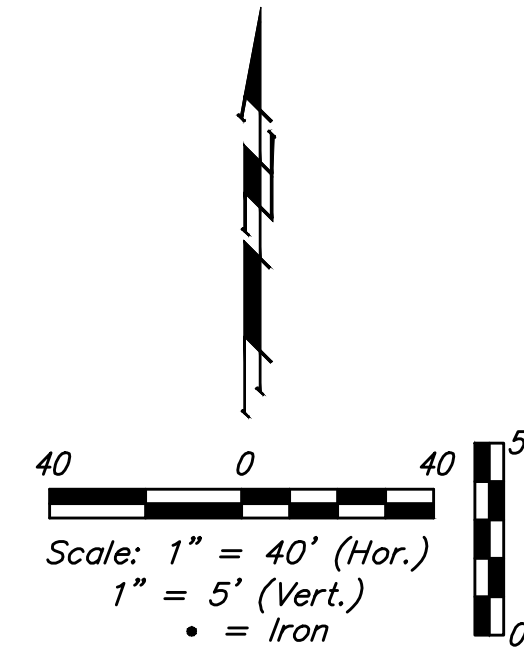
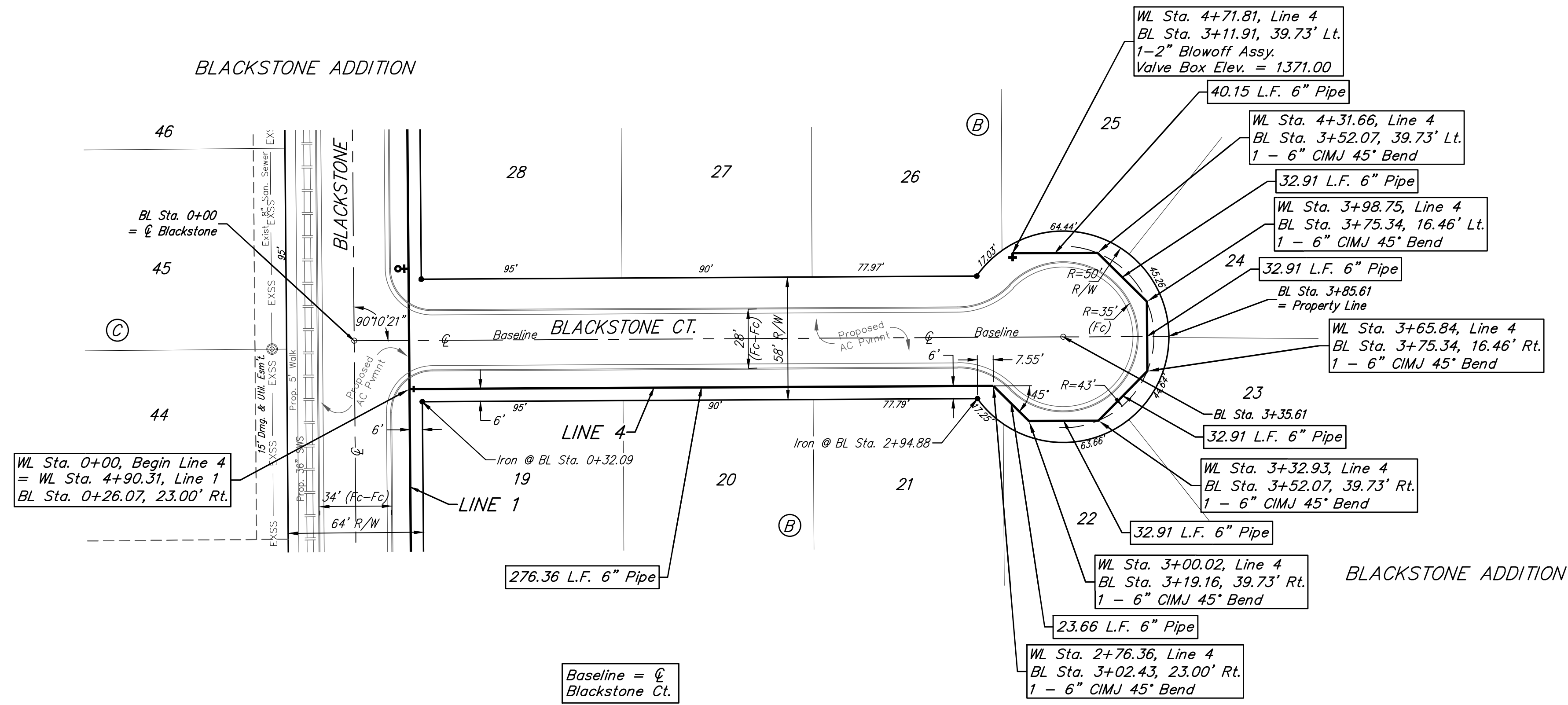


BENCHMARKS:
 BM #1: Railroad spike in HLP
 2' West of center Sec. 11,
 T-27-S, R-2-W
 (S. Face of HLP)
 Elev. = 1367.70 NGVD29

BM #2: "□" Cut in top of
 curb adjacent to the Southwest
 Corner, Lot 11, Block B,
 Blackstone Addition
 Elev. = 1369.85 NGVD29



		Blackstone Addition - Phase III		
		LINE 4		
Baughman Company, P.A. 315 Ellis St. Wichita, KS 67211 P 316-262-7271 F 316-262-0149 ENGINEERING SURVEYING PLANNING LANDSCAPE ARCHITECTURE		PROJECT NUMBER 448-90187	DESIGN NBW	DRAWN JAK
REVISIONS:		APPROVED [Signature]	DATE 7/26/18	SCALE Noted
				7 OF 16