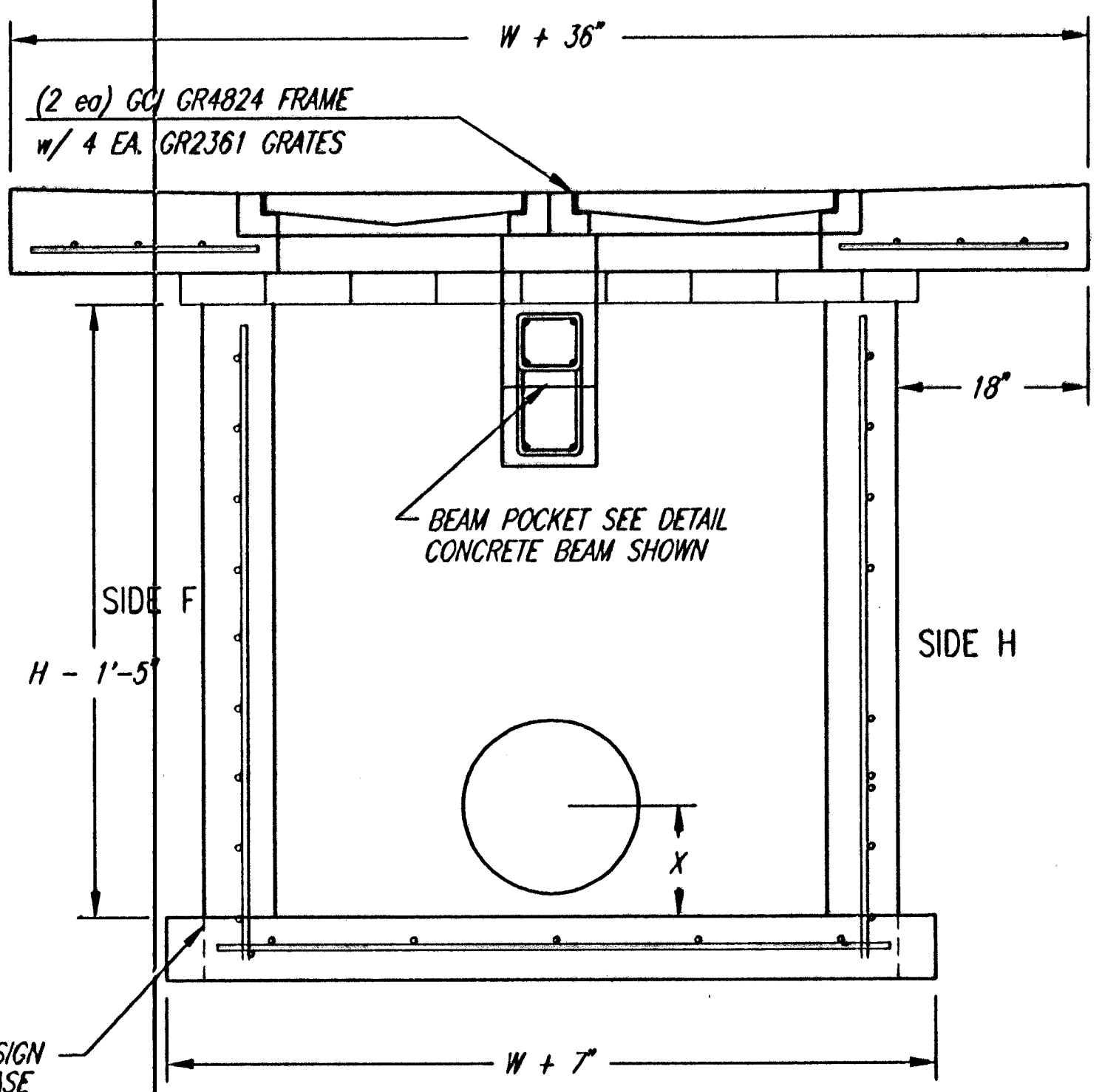
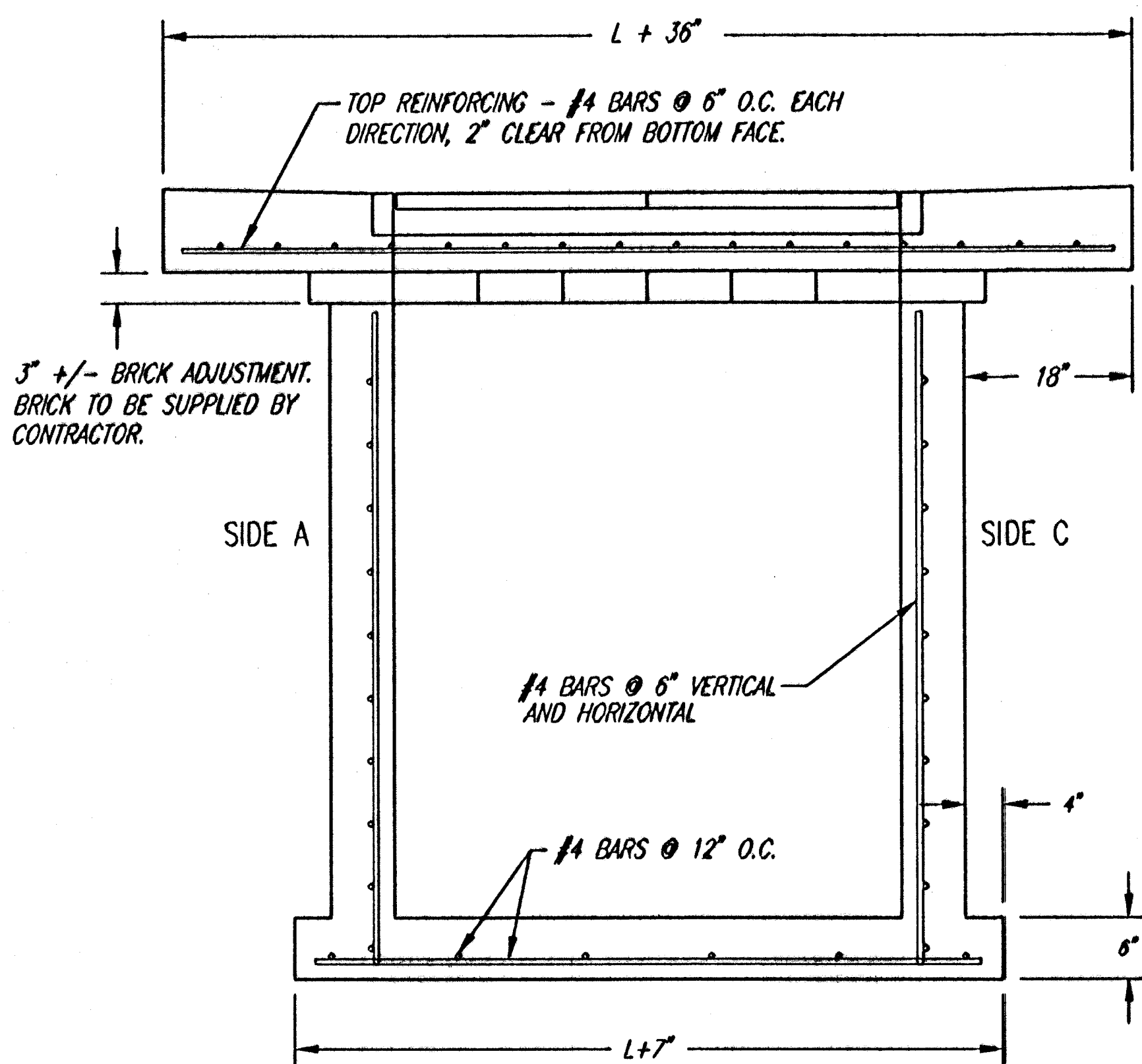


SECTION "C-C"

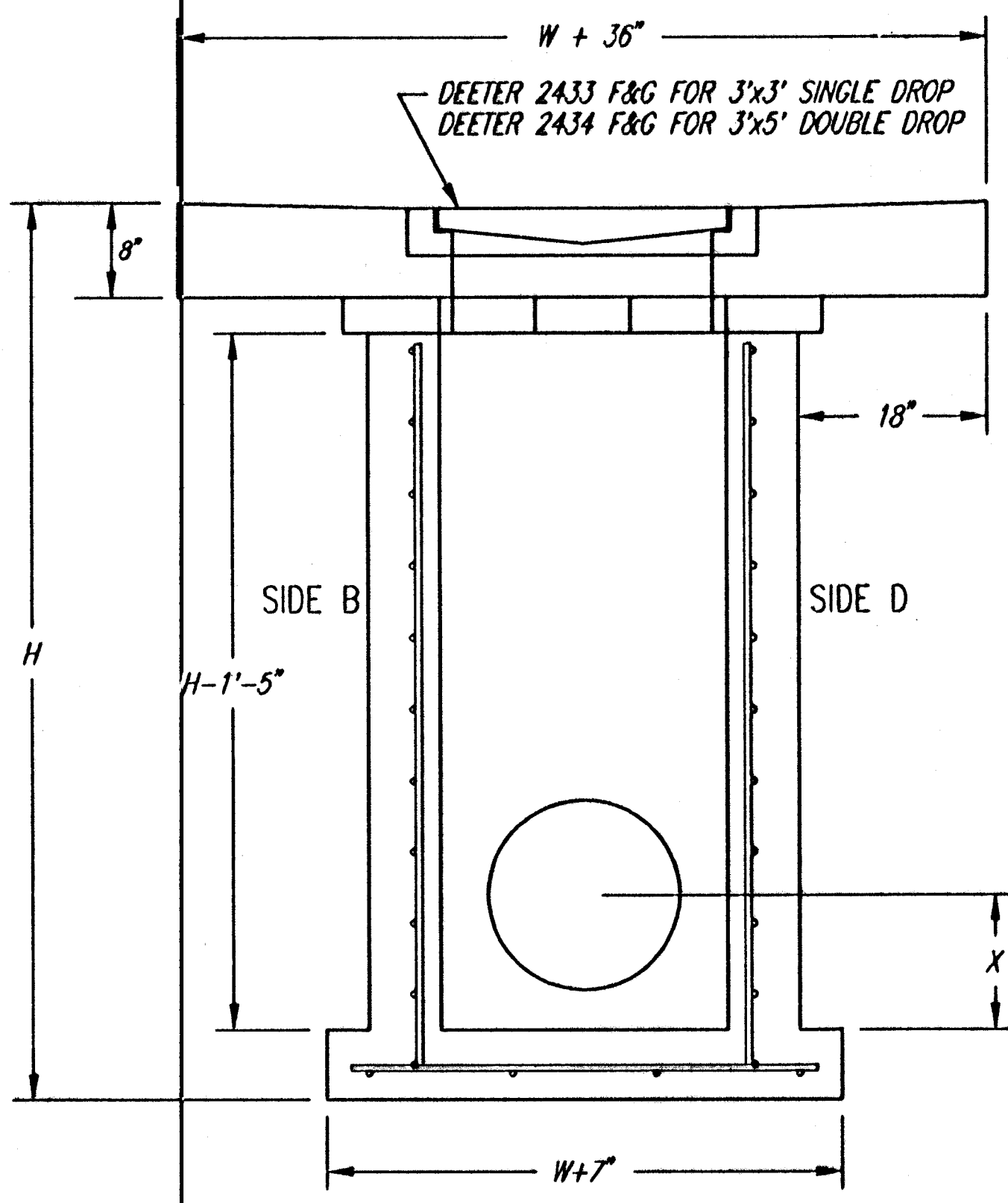


SECTION "D-D"

DBL. DOUBLE DROP INLET WITH BEAM
 CONCRETE/STEEL BEAM (W6x25# GALVANIZED STEEL)
 REQUIRED FOR THIS INLET

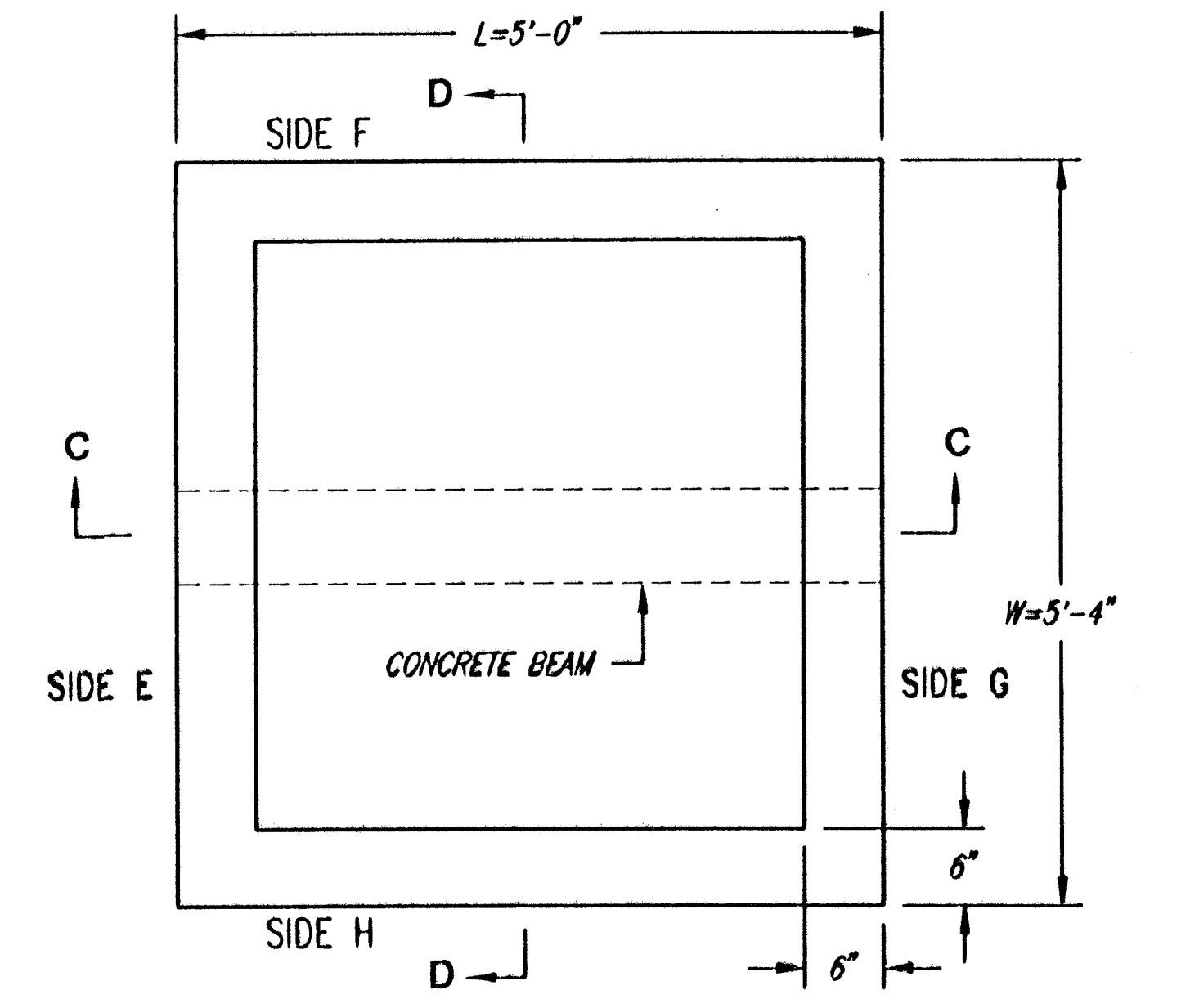


SECTION "A-A"

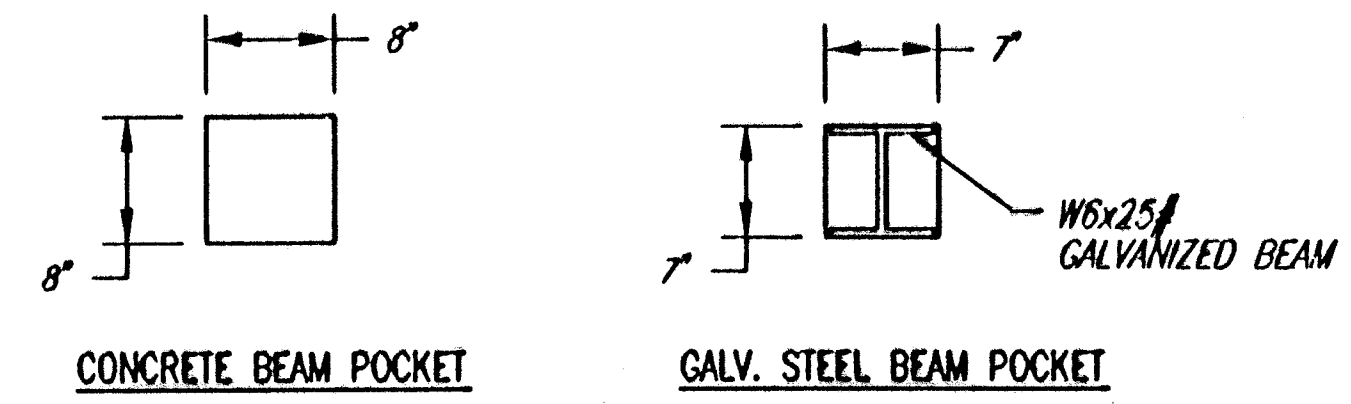


SECTION "B-B"

DOUBLE DROP & SINGLE DROP INLETS
 SINGLE DROP = 3' x 3' OUTSIDE
 DOUBLE DROP = 3' x 5' OUTSIDE

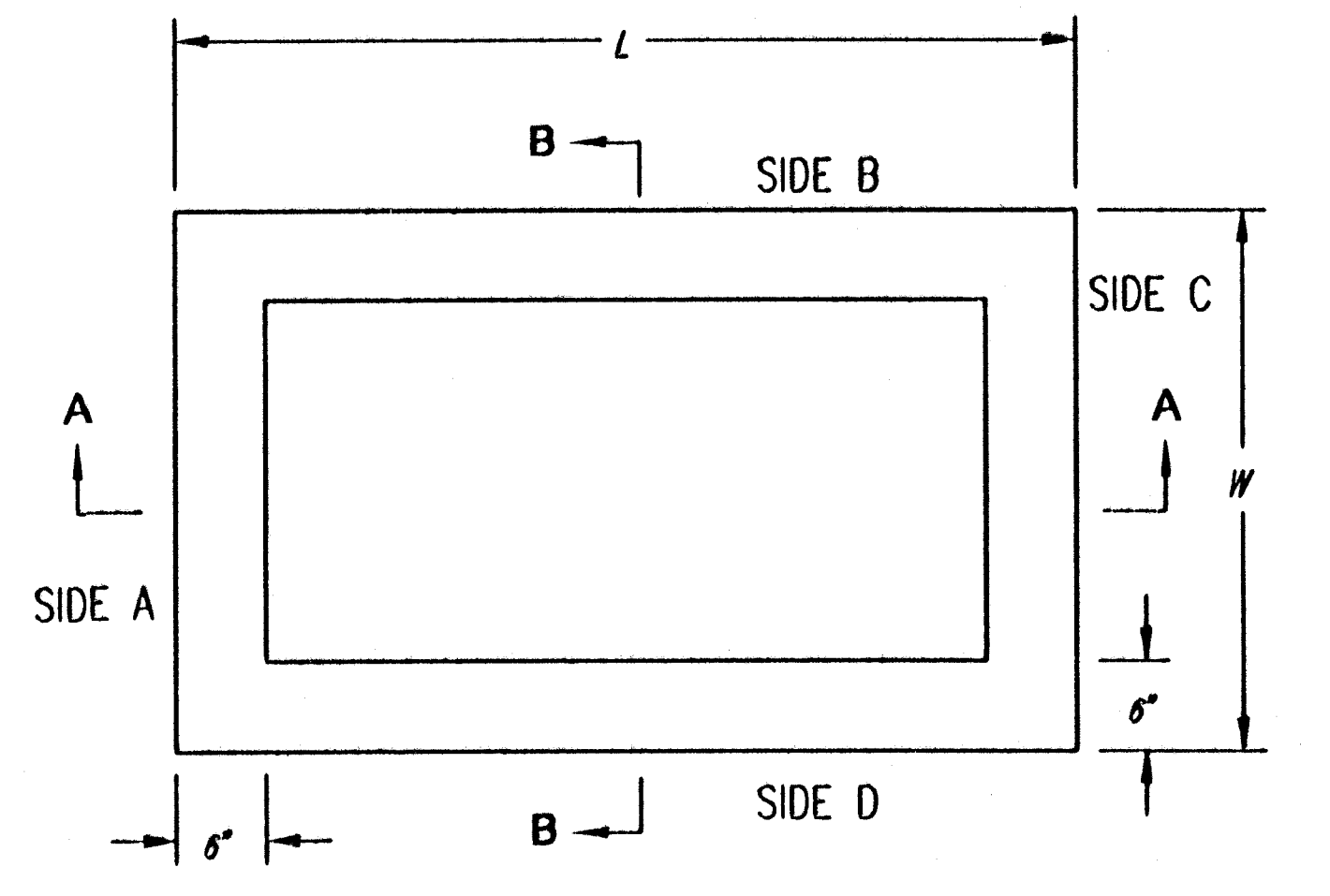


TOP VIEW



CONCRETE BEAM POCKET

GALV. STEEL BEAM POCKET



TOP VIEW

Saved: 06-15-2006 12:50:02 PM by AEE
 Plt. Scale: 1" = 0'-0" 10'-0" 10'-0" 10'-0"
 C:\Users\AEE\Documents\1672 PPS\1672 PPS - Details.dwg

Drawing Adapted from Wichita Concrete Pipe Company.
 Coordinate Locations are at Center of Area Inlets.



No.	Revision	By	Date
CITY OF WICHITA, KANSAS FRIENDS UNIVERSITY PARKING LOT AREA INLET DETAILS JAMES L. ARMOUR, P.E. - CITY ENGINEER CITY OF WICHITA PRIVATE PROJECT NO. 1672 PPS (607861) Professional Engineering Consultants, P.A. 303 S. TOPEKA • WICHITA, KANSAS 67202 316-262-2691 • FAX 316-262-3003			
Designed by	DWH	Job No.	35-06193-003
Drawn by	AEE	Date	May 2006
			Shl. 4 of 10