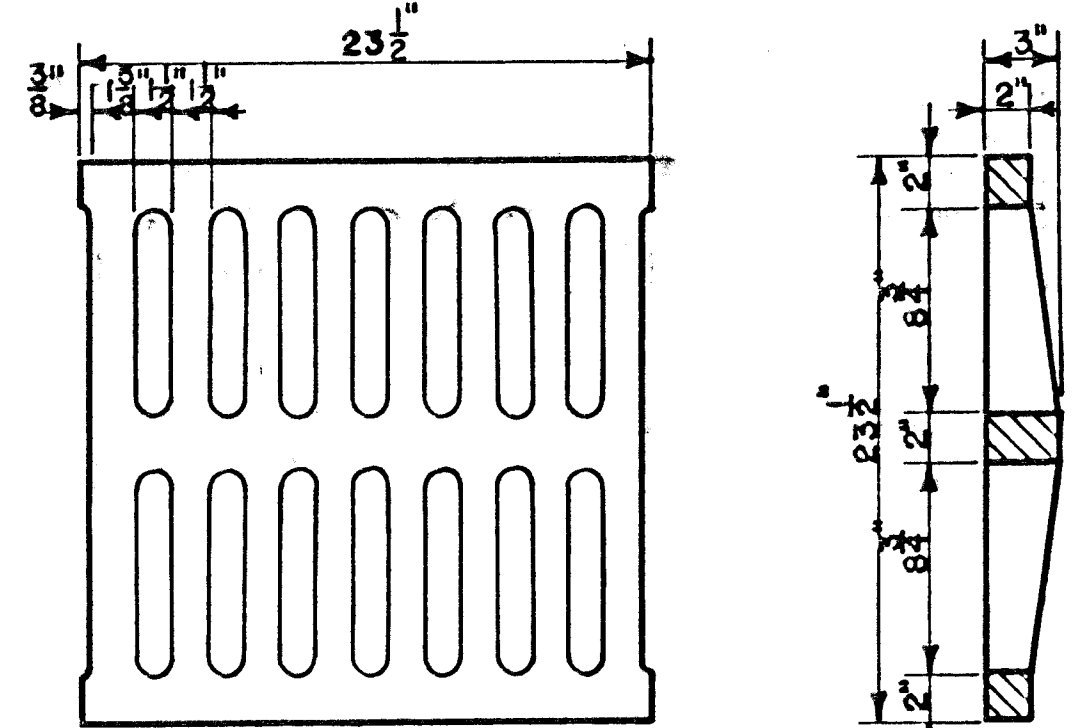
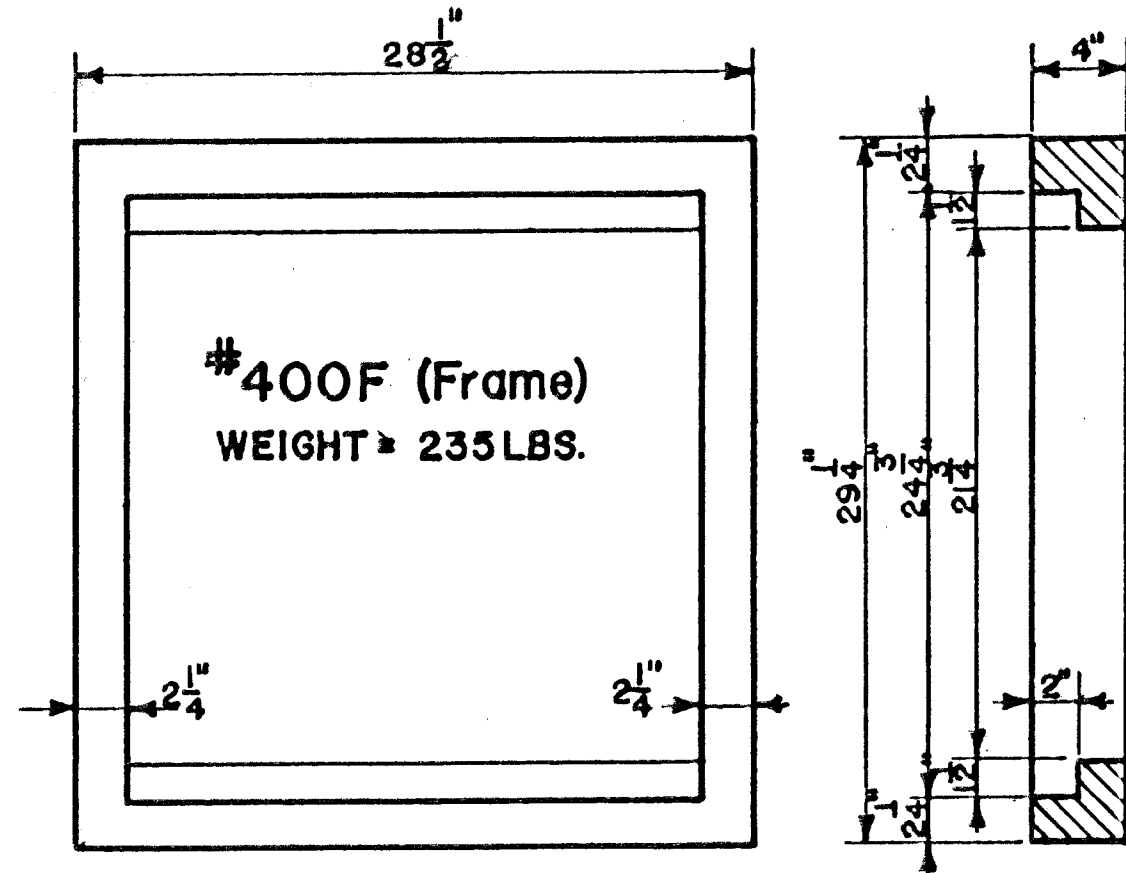
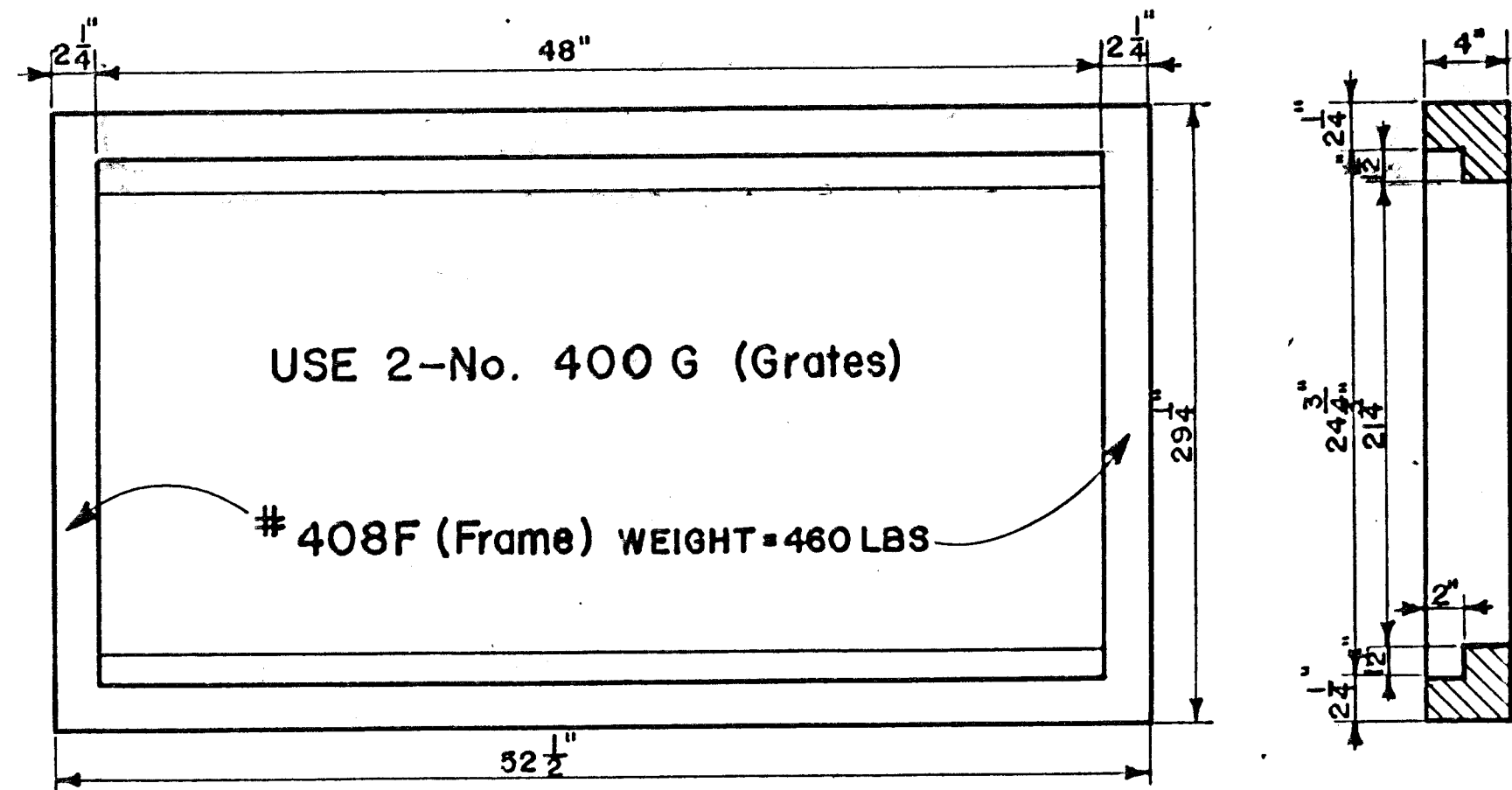


NOTE: Grates shall be imprinted on the top surface with "CITY OF WICHITA" using letters at least 1" in height. Other marking methods may be used only if approved by the engineer.

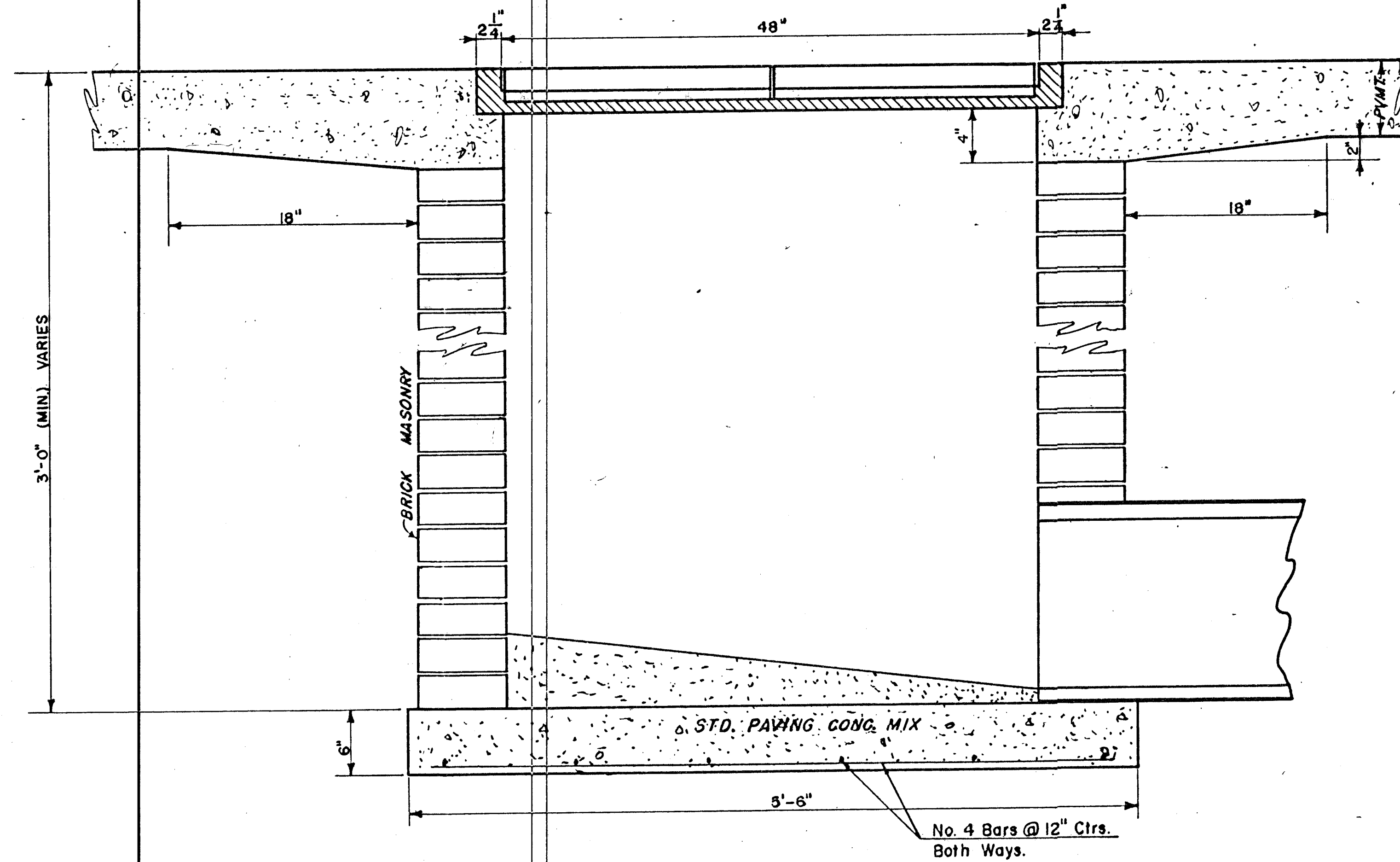
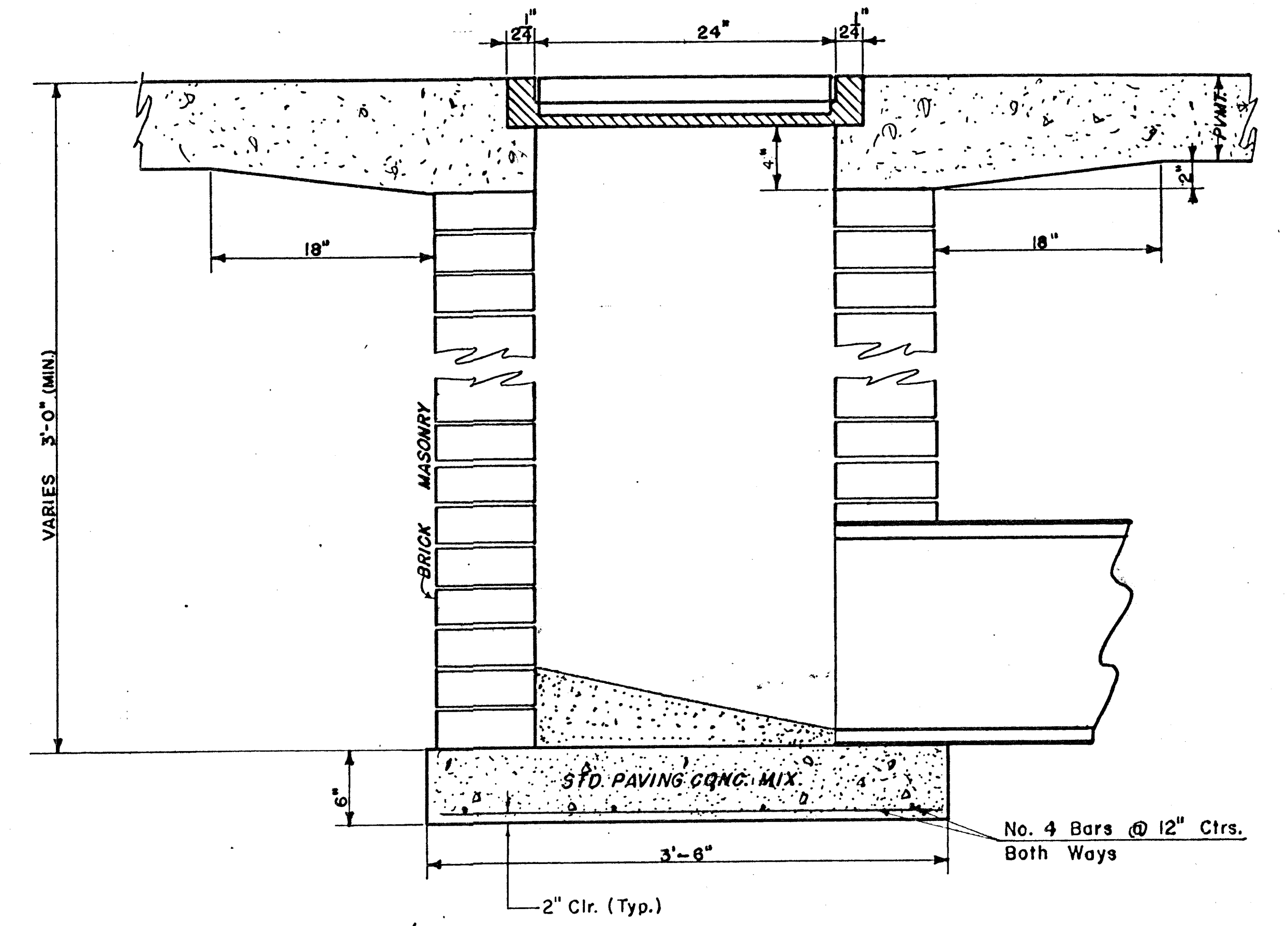
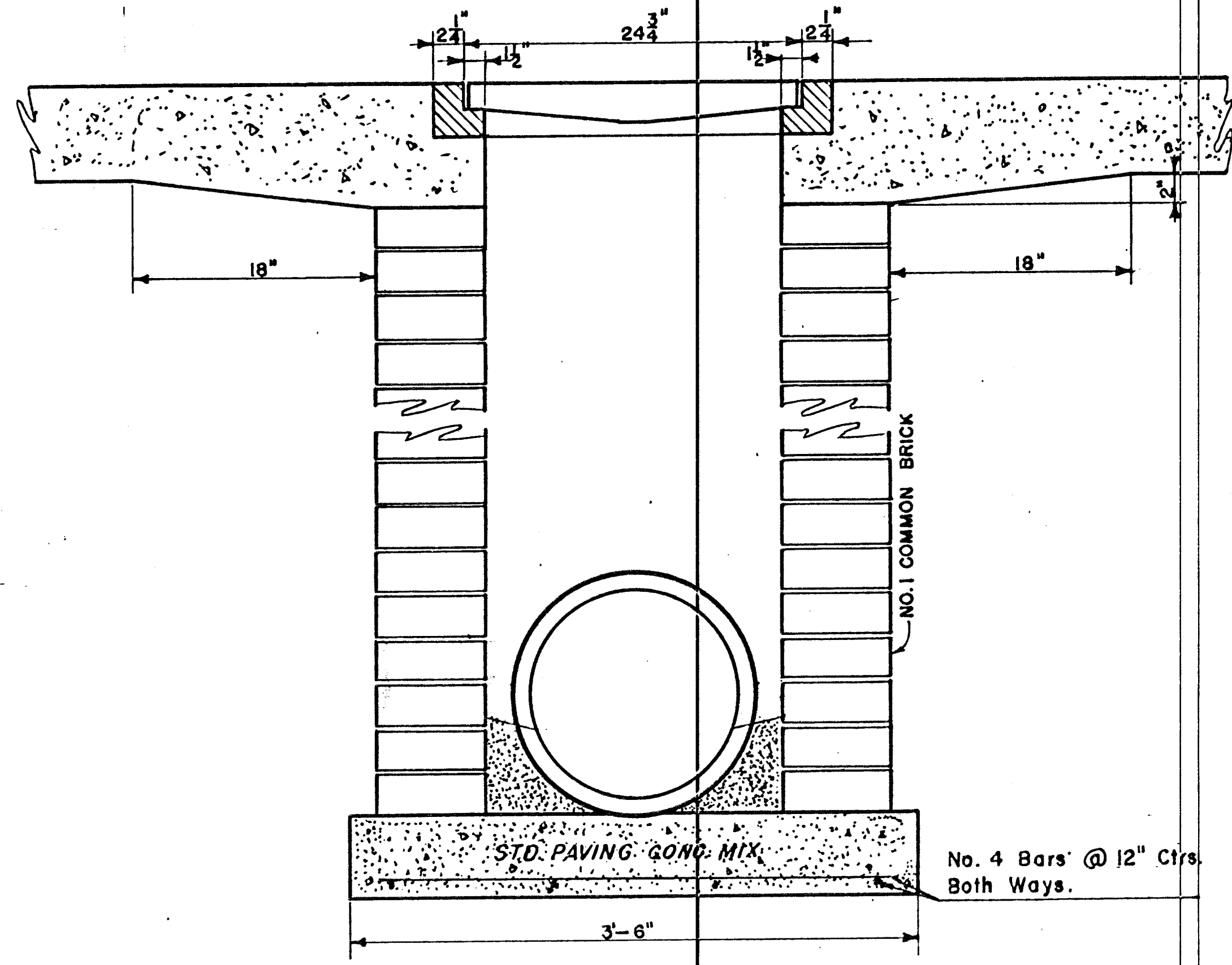
NOTE: SEE SHT. 5 FOR DIMENSION AND REINFORCEMENT OF CONCRETE PAVEMENT AROUND INLET.



24"x24" Frame & Grate Detail



Double 24"x24" Frame Detail



DROP INLET DETAILS

M.E. Lindebak, City Engineer
City of Wichita, Kansas
Project
Project No.
Date:
Scale: 1-1/2" = 1'-0"