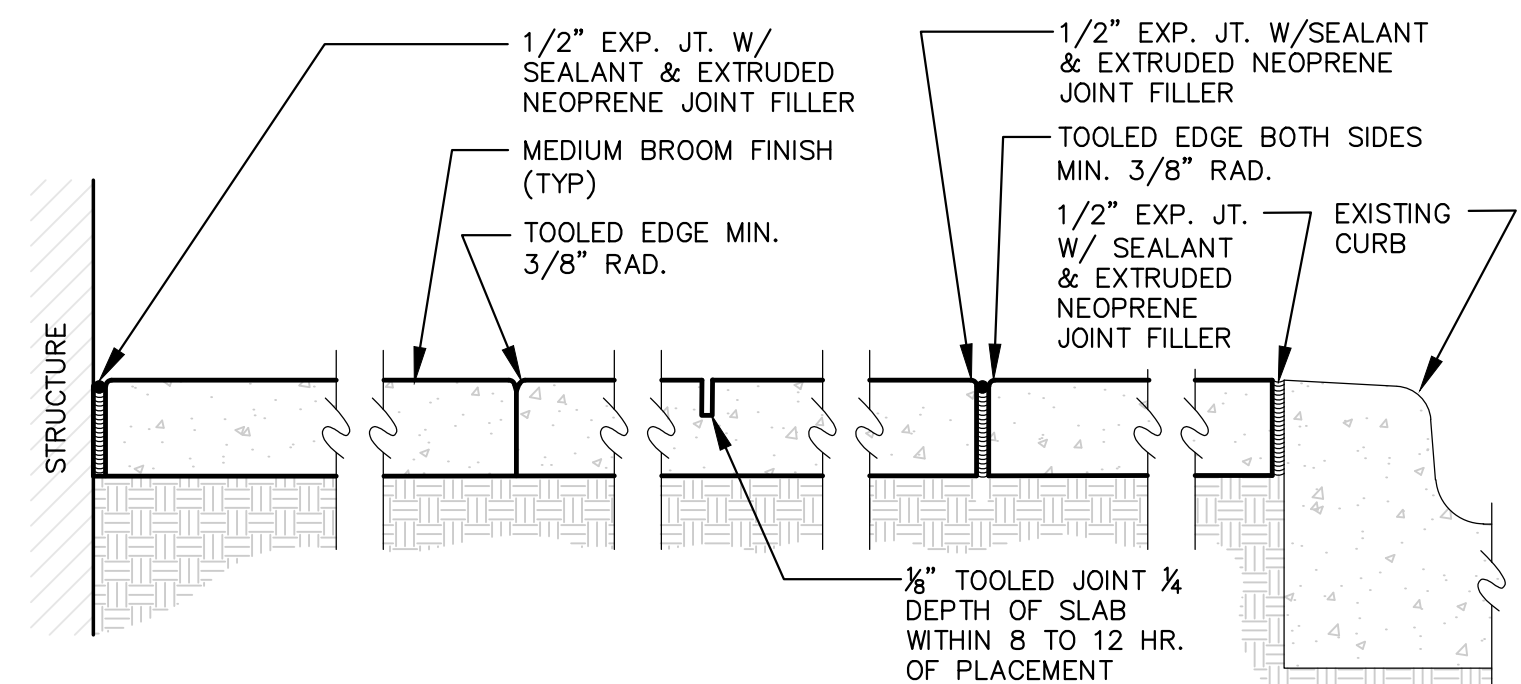


1 CONCRETE SIDEWALKS

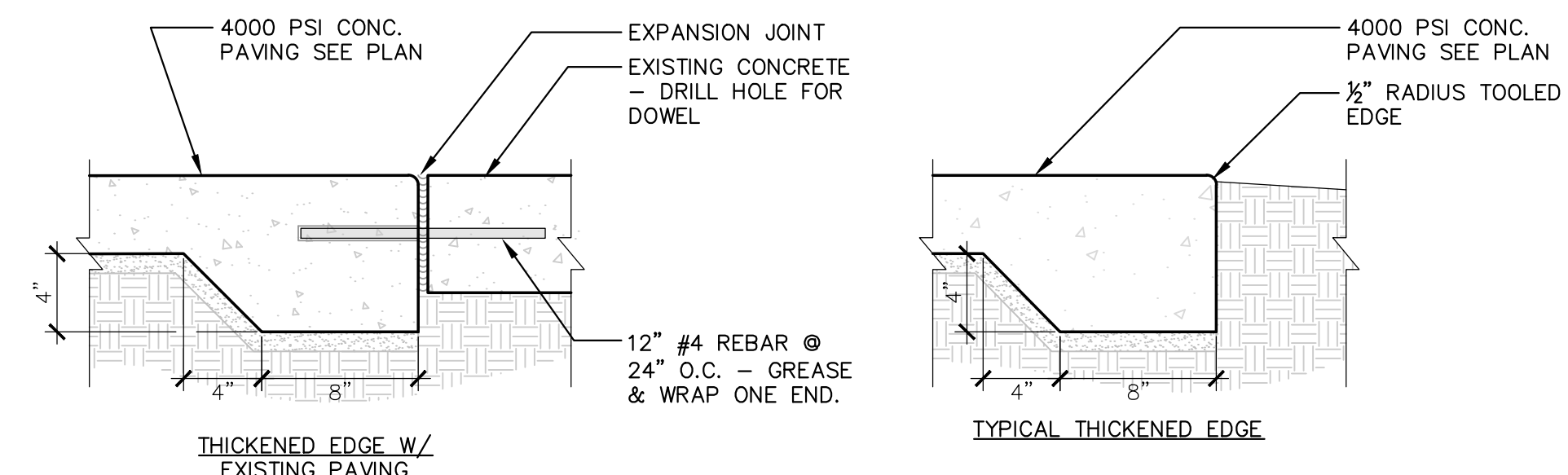
1" = 1'-0"



2 SIDEWALK JOINTING

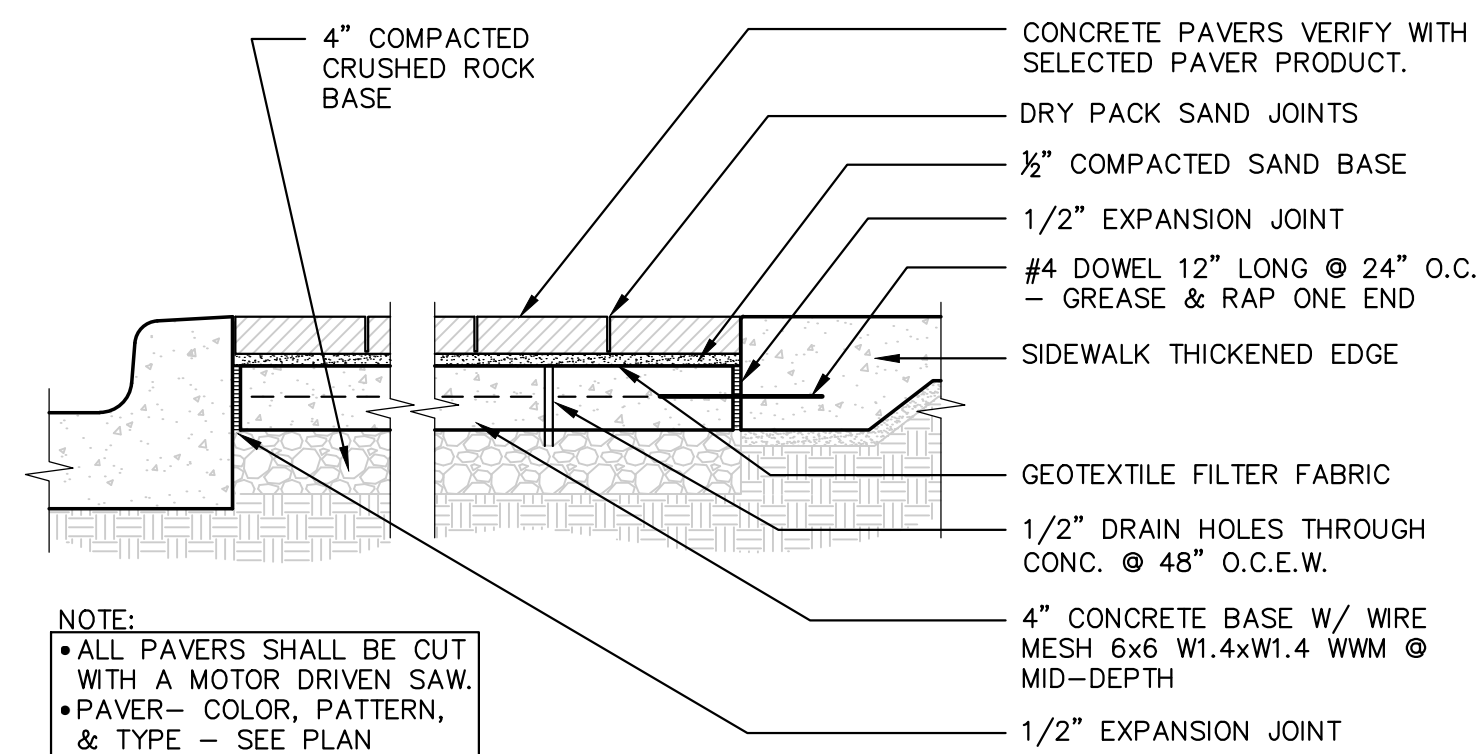
1 1/2" = 1'-0"

- 1/2" EXPANSION JOINT FOR CONCRETE WALK SHALL BE "SONOLASTIC EXPANSION JOINT FILLER" (GRAY); SONNEBORN, CHEMREX INC. OR APPROVED EQUIVALENT
- SEALANT SHALL BE MULTI-PART POURABLE URETHANE SEALANT: "POURTHANE"; W.R. MEADOWS, INC. OR APPROVED EQUIVALENT.
- ALL LABOR AND MATERIALS FOR EXPANSION AND CONTRACTION JOINTS SHALL BE SUBSIDIARY TO CONCRETE SIDEWALK.



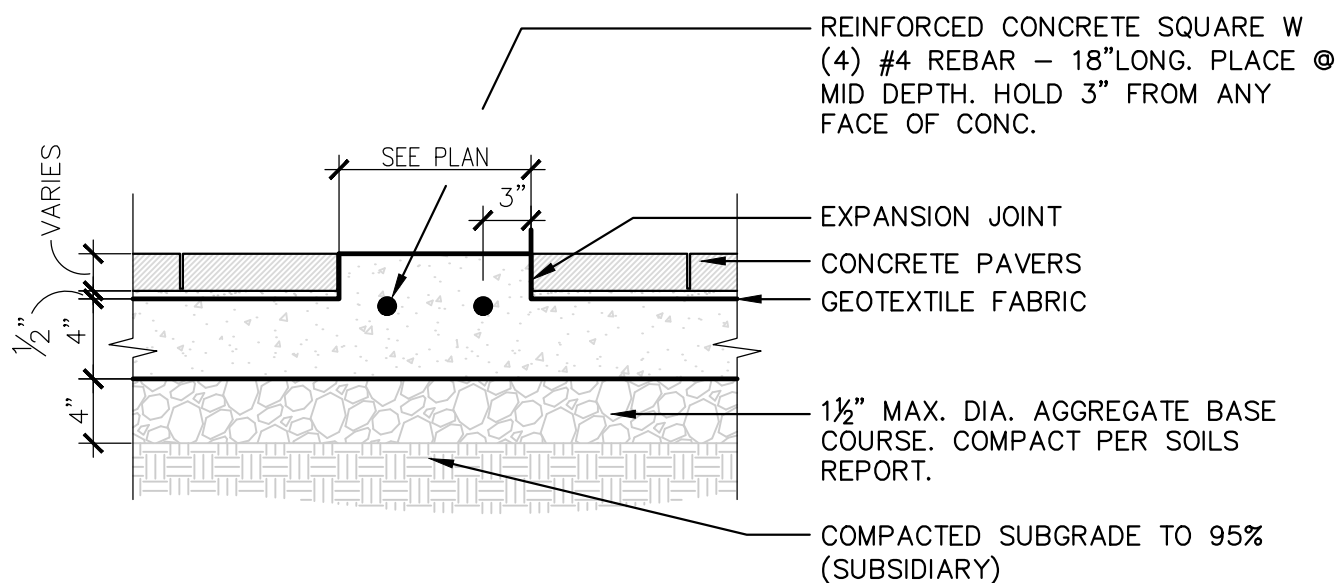
3 SIDEWALK THICKENED EDGE DETAILS

1 1/2" = 1'-0"



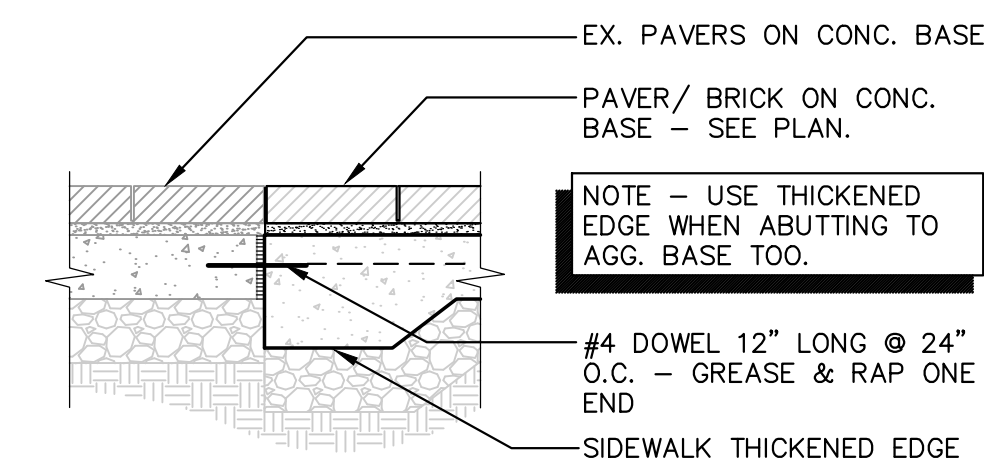
4 CONCRETE PAVER DETAIL

1" = 1'-0"



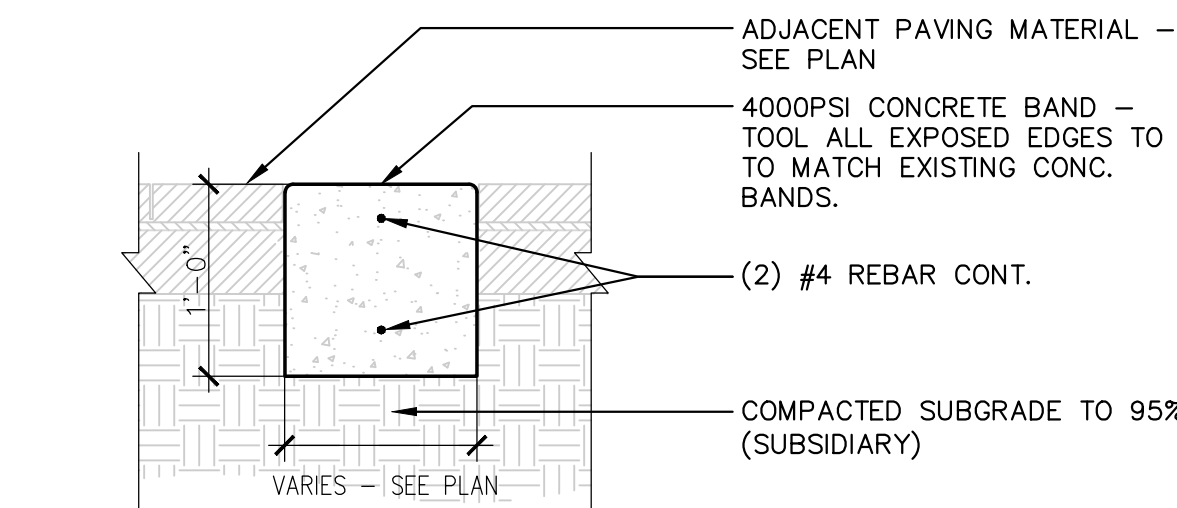
5 CONCRETE BAND IN PAVER FIELD

1" = 1'-0"



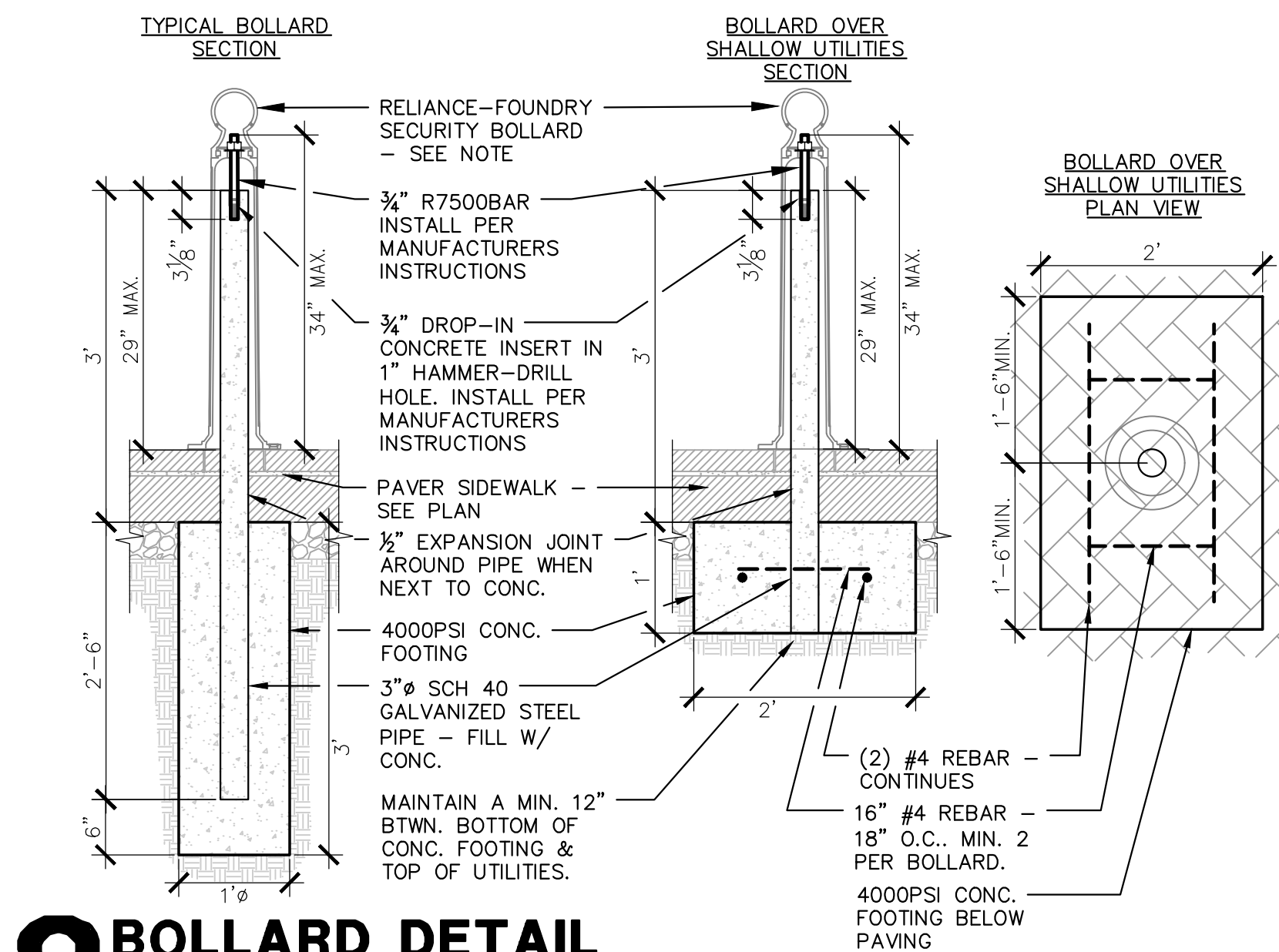
6 PAVER INTERFACE

1" = 1'-0"



7 REINFORCED CONCRETE BAND

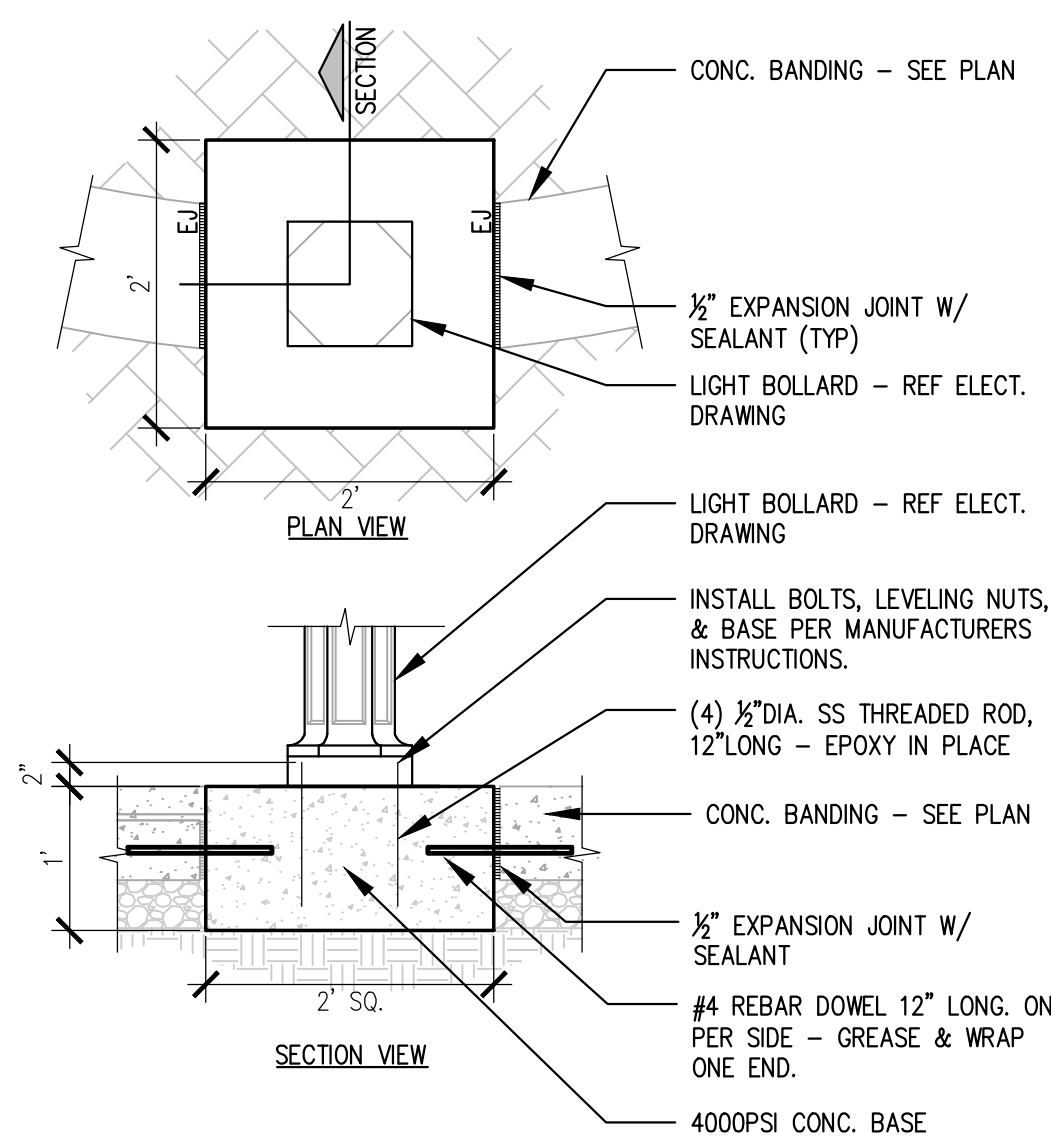
1" = 1'-0"



8 BOLLARD DETAIL

SECURITY

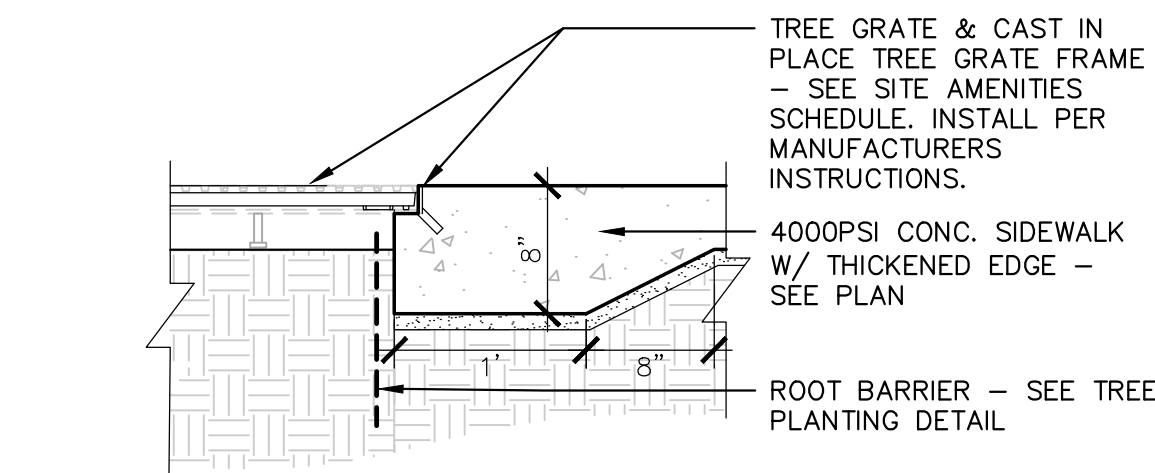
3/4" = 1'-0"



9 BOLLARD DETAIL

LIT

3/4" = 1'-0"



10 TREE WELL DETAIL

1" = 1'-0"

Tran Systems
 245 NORTH WACO
 SUITE 222
 WICHITA, KANSAS 67202
 PHONE: 316-303-3000
 FAX: 316-303-0166

LK Architecture, Inc.
 345 NORTH RIVERVIEW ST.
 SUITE 200
 WICHITA, KANSAS 67203
 PHONE: 316-268-0230

CONSULTANTS:
LK Architecture, Inc.
 345 NORTH RIVERVIEW ST.
 SUITE 200
 WICHITA, KANSAS 67203
 PHONE: 316-268-0230

REVISIONS:	MARK	DATE	DESCRIPTION

PROJ NO: 472-85284
 SCALE: N/A
 DATE: 07/13/2018
 DESIGNED BY: WAWELLS
 DRAWN BY: WAWELLS
 CHECKED BY: JABEST

SHEET TITLE:
SITE ARCHITECTURAL DETAILS

SHEET NO.
13
 SHEET 13 OF 103