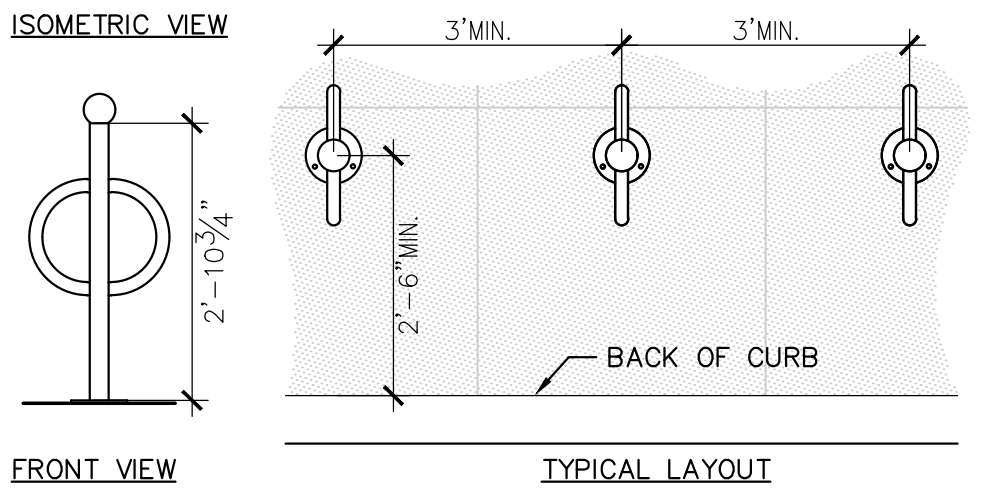
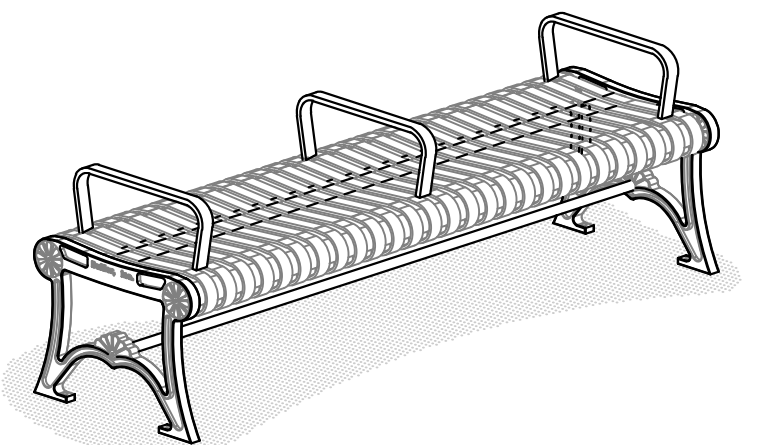


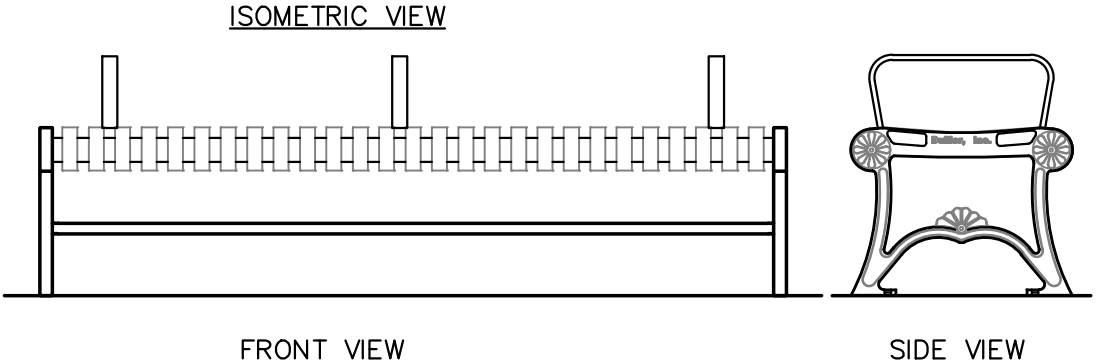
NOTE:  
 • POST & RING RACK BY MADRAX (www.madrax.com), OR APPROVED EQUIVALENT.  
 • ITEM NUMBER: PARBC-2-SF-P  
 • COLOR: BLACK  
 • SURFACE MOUNT - TO CONC. PAVING.  
 • SURFACE MOUNT - ON PAVERS W/ CONC. A BASE EXTEND ANCHOR BOLTS TO CONC.  
 • SURFACE MOUNT - ON PAVERS W/ AGG. BASE INSTALL 12"SQ. MIN. CONC. BLOCK TO ANCHOR TOO.



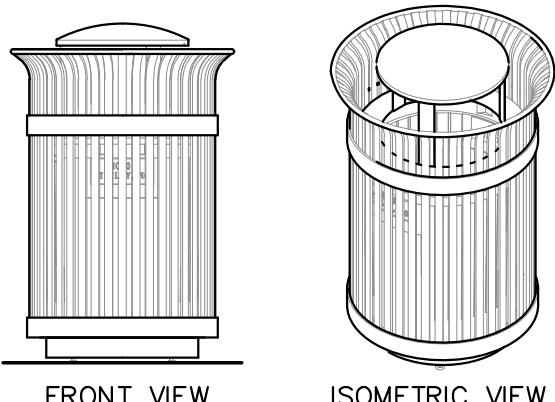
**11 BIKE RACK**  
 POST AND RING  
 1/2" = 1'-0"



NOTE:  
 • DUMORE BENCH (www.dumor.com), OR APPROVED EQUIVALENT.  
 • ITEM NUMBER: 92-60-3AR  
 • COLOR: BLACK  
 • SURFACE MOUNT - TO CONC. PAVING.  
 • SURFACE MOUNT - IF ON PAVERS W/ CONC. A BASE EXTEND ANCHOR BOLTS TO CONC.  
 • SURFACE MOUNT - IF ON PAVERS W/ AGG. BASE INSTALL 12"SQ. MIN. CONC. BLOCK TO ANCHOR TOO.

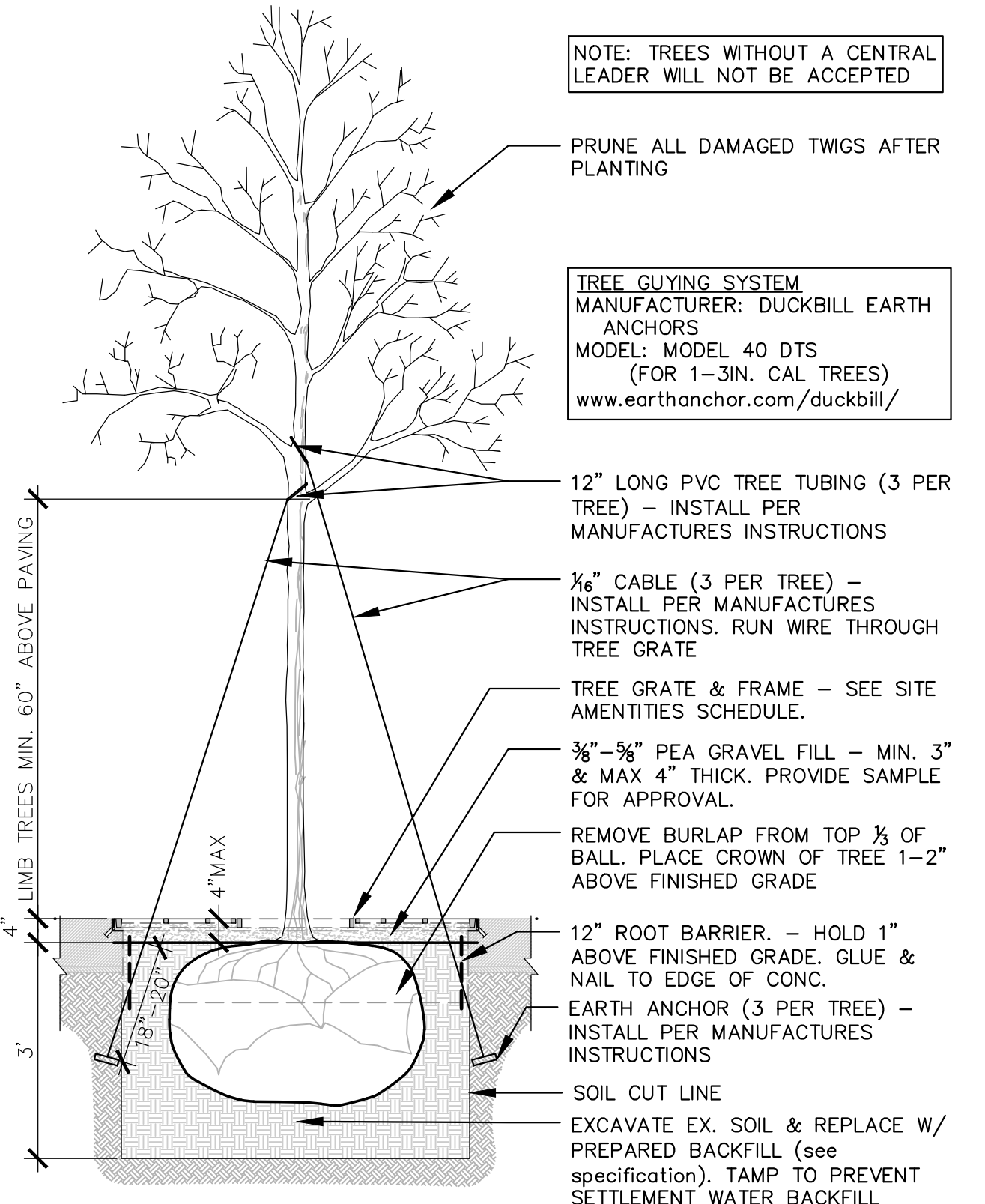


**12 BENCH - BACKLESS**  
 3/8" = 1'-0"



NOTE:  
 • VICTOR STANLEY TRASH RECEPTACLE (www.victorstanley.com), OR APPROVED EQUIVALENT.  
 • ITEM NUMBER: RB-36  
 • COLOR: BLACK  
 • SURFACE MOUNT - TO CONC. PAVING.  
 • SURFACE MOUNT - IF ON PAVERS W/ CONC. A BASE EXTEND ANCHOR BOLTS TO CONC.  
 • SURFACE MOUNT - IF ON PAVERS W/ AGG. BASE INSTALL 12"SQ. MIN. CONC. BLOCK TO ANCHOR TOO.

**13 TRASH RECEPTACLE**  
 1/2" = 1'-0"



**14 TREE PLANTING**  
 1" = 1'-0"

**PLANTING NOTES**

**PLANTING PREPARATION**

- BACK FILL SHALL BE A FRIABLE LOAM WITH GOOD STRUCTURE. SOLUBLE SALTS SHALL NOT EXCEED 500ppm AND ORGANIC MATTER SHALL BE NO LESS THAN 3%. The pH SHALL RANGE BETWEEN 5.5 AND 7.4, AND SHALL BE FREE OF WEED SEED, ROCK OR OTHER DELETERIOUS MATERIALS.
- THE CONTRACTOR SHALL HAVE TOPSOIL TESTED BY A CERTIFIED TESTING LABORATORY AND OBTAIN RECOMMENDATIONS FOR SOIL AMENDMENT TYPE(S) AND QUANTITIES. RECOMMENDATIONS SHALL BE SPECIFIC TO THE TOPSOIL OF THIS REPORT TO THE LANDSCAPE ARCHITECT FOR THEIR RECORDS. THE LANDSCAPE CONTRACTOR SHALL BE EXPECTED TO AMEND SOILS PER THE RECOMMENDATIONS AND SPECIFICATIONS.
- TREE WELLS ARE TO EXCAVATED TO A DEPTH OF 36" BELOW THE MULCH LAYER. THE EXCAVATED SOIL IS TO BE REPLACED WITH AN APPROVED BACKFILL AND ANY AMENDMENTS REQUIRED BY SOILS TESTING.
- PLANTING BEDS ARE TO HAVE 12" OF TOPSOIL PRESENT IN BEDS PRIOR TO PLANTING. THE CONTRACTOR SHALL ROTOTILL TOPSOIL AMENDMENTS INTO THE TOP 12" OF PLANTING BEDS.

**PLANTING MATERIALS**

- PLANT SUBSTITUTIONS WILL ONLY BE ALLOWED UNDER THE FOLLOWING CONDITIONS: LANDSCAPE CONTRACTOR SHALL SUBMIT A WRITTEN SUBSTITUTION REQUEST TO THE CITY ARBORIST FOR APPROVAL. STATE WHAT PLANTS ARE TO BE SUBSTITUTED, THE PLANT SIZES, CONTAINER SIZES, AND PLANT QUANTITIES. INCLUDE AN EXPLANATION FOR SUBSTITUTION REQUEST. NO SUBSTITUTION SHALL CONSTITUTE AN INCREASE IN COST FROM THE ORIGINAL CONTRACT
- PLANT MATERIAL SHALL BE WELL-FORMED AND DEVELOPED IN GOOD CONDITION, HEALTHY, VIGOROUS AND FREE OF PESTS AND DISEASE.
- ALL TRUNK AND/OR CONTAINER SIZES SPECIFIED ARE A MINIMUM REQUIREMENT FOR PLANT MATERIAL.
- PLANTS SHALL COMPLY IN ALL APPLICABLE RESPECTS WITH ACCEPTABLE STANDARDS AS SET FORTH IN THE AMERICAN ASSOCIATION OF NURSERYMAN'S 'AMERICAN STANDARD OF NURSERY STOCK.' THESE STANDARDS SHALL REPRESENT THE GUIDELINE SPECIFICATIONS ONLY AND SHALL CONSTITUTE THE MINIMUM QUALITY REQUIREMENTS FOR PLANT MATERIALS.
- ALL TREES SHALL HAVE STRAIGHT TRUNKS AND FULL CROWN AND MEET ALL REQUIREMENTS SPECIFIED. ALL TREES MUST BE GUYED OR STAKED AS SHOWN IN THE DETAILS.
- CONTRACTOR SHALL BE RESPONSIBLE FOR THE DELIVERY SCHEDULE AND PROTECTION BETWEEN DELIVERY AND PLANTING PER SPECIFICATIONS TO MAINTAIN HEALTHY PLANT CONDITIONS.
- PLANT MATERIALS SHALL BE PROTECTED FROM THE DRYING ACTION OF THE SUN AND WIND AFTER BEING DUG, WHILE BEING TRANSPORTED, AND WHILE AWAITING PLANTING. BALLS OF PLANTS WHICH CANNOT BE PLANTED IMMEDIATELY SHALL BE PROTECTED FROM DRYING ACTION BY COVERING THEM WITH MOIST MULCH. PERIODICALLY, APPLY WATER TO MULCH-COVERED BALLS TO KEEP MOIST. IF PLANTING SHOULD OCCUR DURING GROWING SEASON, APPLY ANTI-DESSICANT TO LEAVES BEFORE TRANSPORT TO REDUCE LIKELIHOOD OF WINDBURN. REAPPLY ANTI-DESSICANT AFTER PLANTING TO REDUCE TRANSPIRATION.
- ALL PLANT MATERIAL SHALL BE BALLED AND BURLAPPED AS INDICATED IN THE PLANT SCHEDULE
- ANY PLANT MATERIAL WHICH IS DISEASED, DISTRESSED, DEAD, OR REJECTED (PRIOR TO SUBSTANTIAL COMPLETION) SHALL BE PROMPTLY REMOVED FROM THE SITE AND REPLACED WITH MATERIAL OF THE SAME SPECIES, QUANTITY, AND SIZE MEETING ALL PLANT LIST SPECIFICATIONS.
- BERMUDA SOD TYPE SHALL BE A LOCALLY AVAILABLE VEGETATIVE VARIETY.
- SODDED AREAS SHALL BE LAID IN SUCH A WAY AS TO FORM A SOLID MASS WITH TIGHT-FITTED JOINTS. BUTT ENDS AND SIDES OF SOD, DO NOT STRETCH OR OVERLAP. STAGGER SOD STRIPS OR PADS TO OFFSET JOINTS IN ADJACENT COURSES. TAMP OR ROLL LIGHTLY TO ENSURE CONTACT WITH SUBGRADE. ELIMINATE AIR POCKETS, AND FORM A SMOOTH SURFACE.

**RELATED ITEMS**

- LANDSCAPE CONTRACTOR TO INCORPORATE A MYCORRHIZAL INOCULATE IN ALL PLANTING PITS. USE BROAD SPECTRUM ENDO AND EXTO-MYCORRHIZAL PRODUCT IN GRANULAR OR TABLE FORM.
- THE LANDSCAPE CONTRACTOR SHALL FERTILIZE ALL PLANTINGS WITH A 10-20-10 SLOW RELEASE FERTILIZER AS DIRECTED BY INSTRUCTIONS ON PACKAGING.
- ALL TREE WELLS SHALL BE COMPLETELY MULCHED WITH A 3/4" TO 1" PEA GRAVEL A MINIMUM DEPTH OF 3" UNDER AND BETWEEN GRATE OPENINGS.

**MAINTENANCE AND CLEAN-UP**

- THE CONTRACTOR SHALL PROVIDE ALL WATER, WATERING DEVICES AND LABOR NEEDED TO IRRIGATE PLANT MATERIALS FOR THE GREATER OF 90 DAYS OR UNTIL PROVISIONAL ACCEPTANCE OF THE PROJECT. THE CONTRACTOR SHALL SUPPLY ENOUGH WATER TO MAINTAIN THE PLANTS' HEALTHY CONDITION THROUGHOUT THE MAINTENANCE PERIOD.
- REMOVE ALL RUBBISH, EQUIPMENT AND MATERIAL AND LEAVE THE AREA IN A NEAT, CLEAN CONDITION EACH DAY. MAINTAIN PAVED AREAS UTILIZED FOR HAULING EQUIPMENT AND MATERIALS BY OTHER TRADES IN A CLEAN AND UNOBSTRUCTED CONDITION AT ALL TIMES.
- REMOVE SOIL OR DIRT THAT ACCUMULATED DURING OR AS A RESULT OF PLANTING OPERATIONS EACH DAY.
- LIMIT AMOUNT OF PRUNING TO A MINIMUM NECESSARY TO REMOVE DEAD OR INJURED TWIGS AND BRANCHES. PRUNE IN SUCH A MANNER AS NOT TO CHANGE NATURAL HABIT OR SHAPE OF PLANT. MAKE CUTS FLUSH, LEAVING NO STUBS. CENTRAL LEADERS SHALL NOT BE REMOVED.
- LANDSCAPE CONTRACTOR TO REMOVE TREE GUYS AND ALL DEAD WOOD ON TREES AND SHRUBS ONE YEAR AFTER PROVISIONAL ACCEPTANCE.

**Tran Systems**  
 245 NORTH WACO  
 SUITE 222  
 WICHITA, KANSAS 67202  
 PHONE: 316-303-3000  
 FAX: 316-303-0166

CONSULTANTS:  
**LK Architecture, Inc. ©**  
 345 NORTH RIVERVIEW ST.  
 SUITE 200  
 WICHITA, KANSAS 67203  
 PHONE: 316-268-0230

2ND STREET IMPROVEMENTS  
 SANTA FE TO WASHINGTON IN OLD TOWN  
 WICHITA, KANSAS  
**CITY OF WICHITA**

REVISIONS:	MARK	DATE	DESCRIPTION

PROJ NO: 472-85284  
 SCALE: N/A  
 DATE: 07/13/2018  
 DESIGNED BY: WAWELLS  
 DRAWN BY: WAWELLS  
 CHECKED BY: JABEST

SHEET TITLE:  
**SITE ARCHITECTURAL DETAILS & NOTES**

SHEET NO.  
**14**  
 SHEET 14 OF 103