

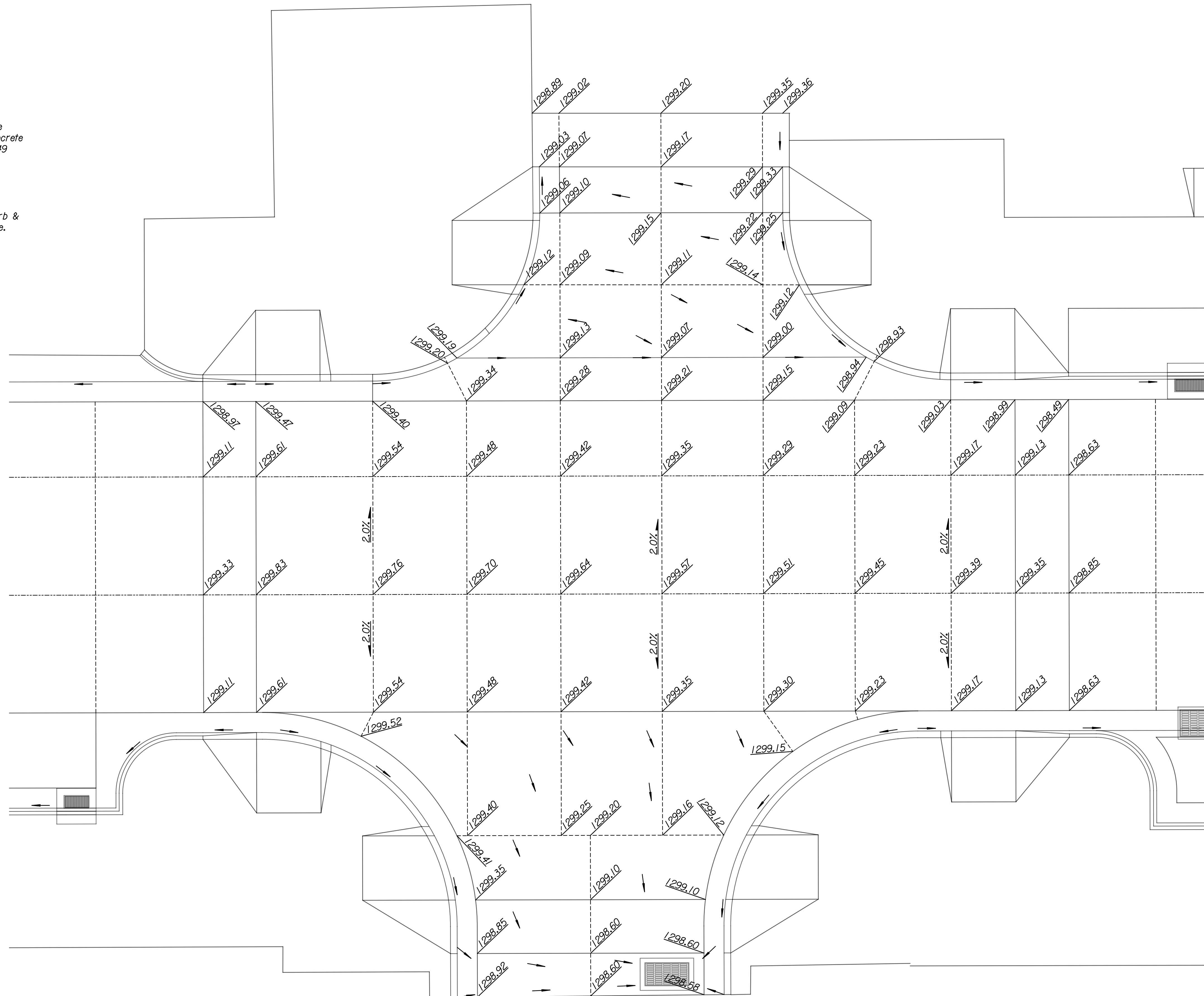
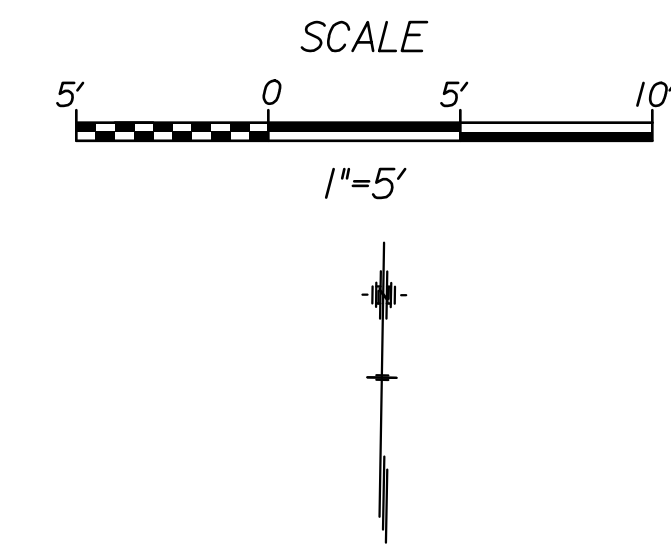
LEGEND

- Contraction Joint
- Longitudinal Joint
- Expansion Joint
- Proposed Water Flow

Note:
All concrete pavement on 2nd Street shall be "Concrete Pavement, 9" (NRDJ)" unless otherwise noted in the plans or by the Engineer, for Concrete Pavement 9" (NRDJ) details, See Sheets 48 & 49

All concrete pavement on valley gutters shall be "Concrete Pavement (VG) 8" (Reinf.)" See Sheet 50

Pavement joints shall be continued through curb & gutter and match joint patterns where possible.



Tran Systems
 245 NORTH WACO
 SUITE 222
 WICHITA, KANSAS 67202
 PHONE: 316-303-3000
 FAX: 316-303-0156

CONSULTANTS:

 LK ARCHITECTURE, INC.
 345 RIVERVIEW
 SUITE 200
 WICHITA, KANSAS 67208
 PHONE: 316-268-0230

2ND STREET IMPROVEMENTS
 SANTA FE TO WASHINGTON IN OLD TOWN
 WICHITA, KANSAS

REVISIONS:	MARK	DATE	DESCRIPTION

PROJ NO: 472-85284
 SCALE: 1"=5'
 DATE: 7/11/2018
 DESIGNED BY: TAU
 DRAWN BY: TAU
 CHECKED BY: MDB

SHEET TITLE:
2ND STREET & MOSLEY INTERSECTION DETAILS

SHEET NO.
36
 SHEET 36 OF 103

taumdel
 7/11/2018 11:25 PM - c:\transtrans\proj\472-85284\2nd-street\2nd-street-36.dwg