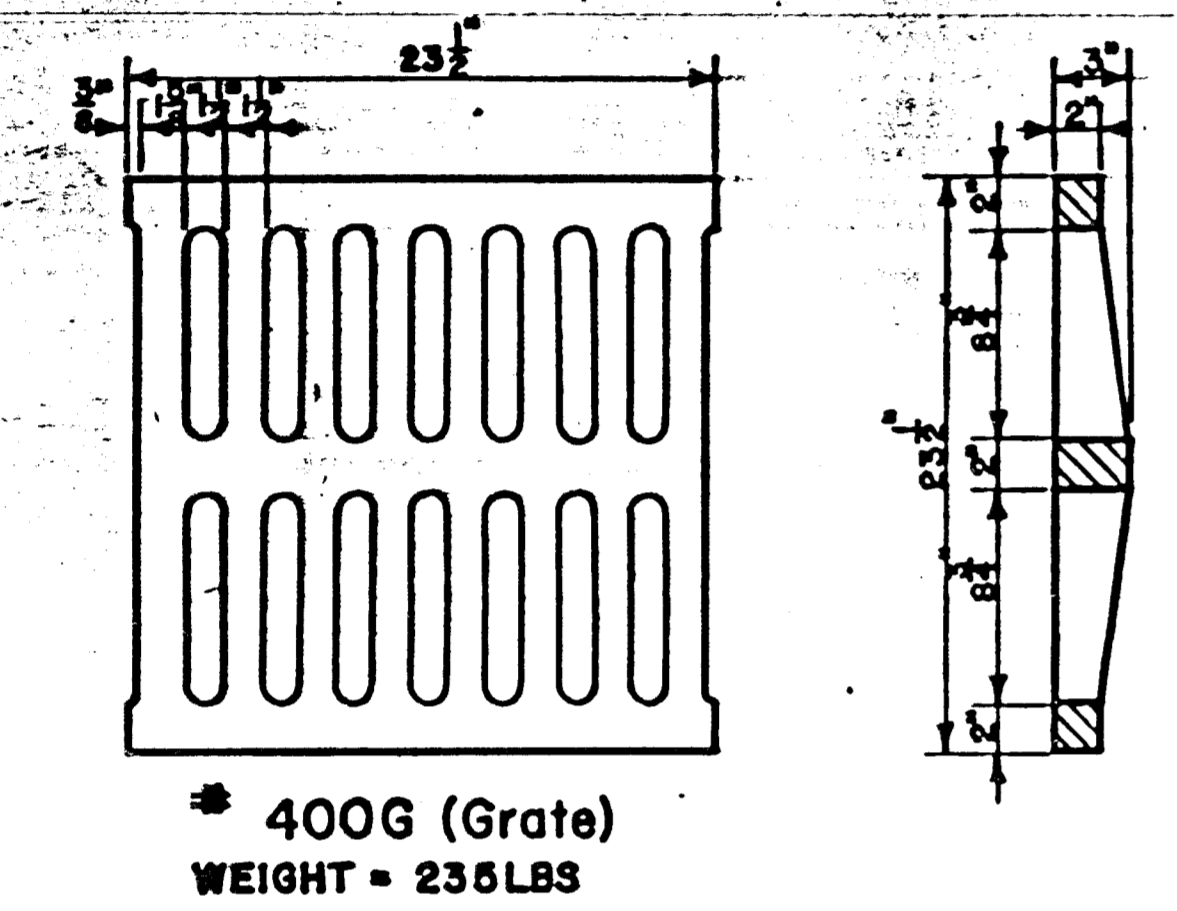
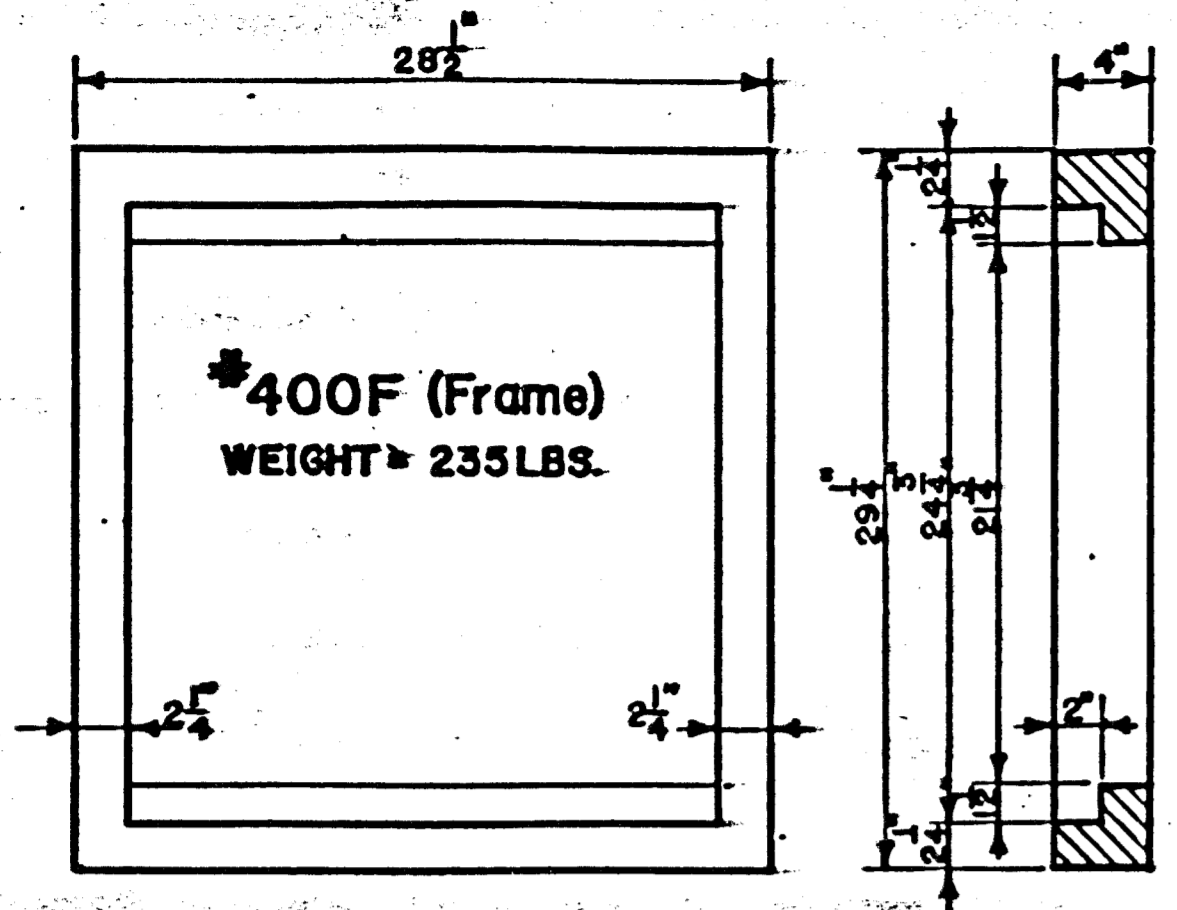
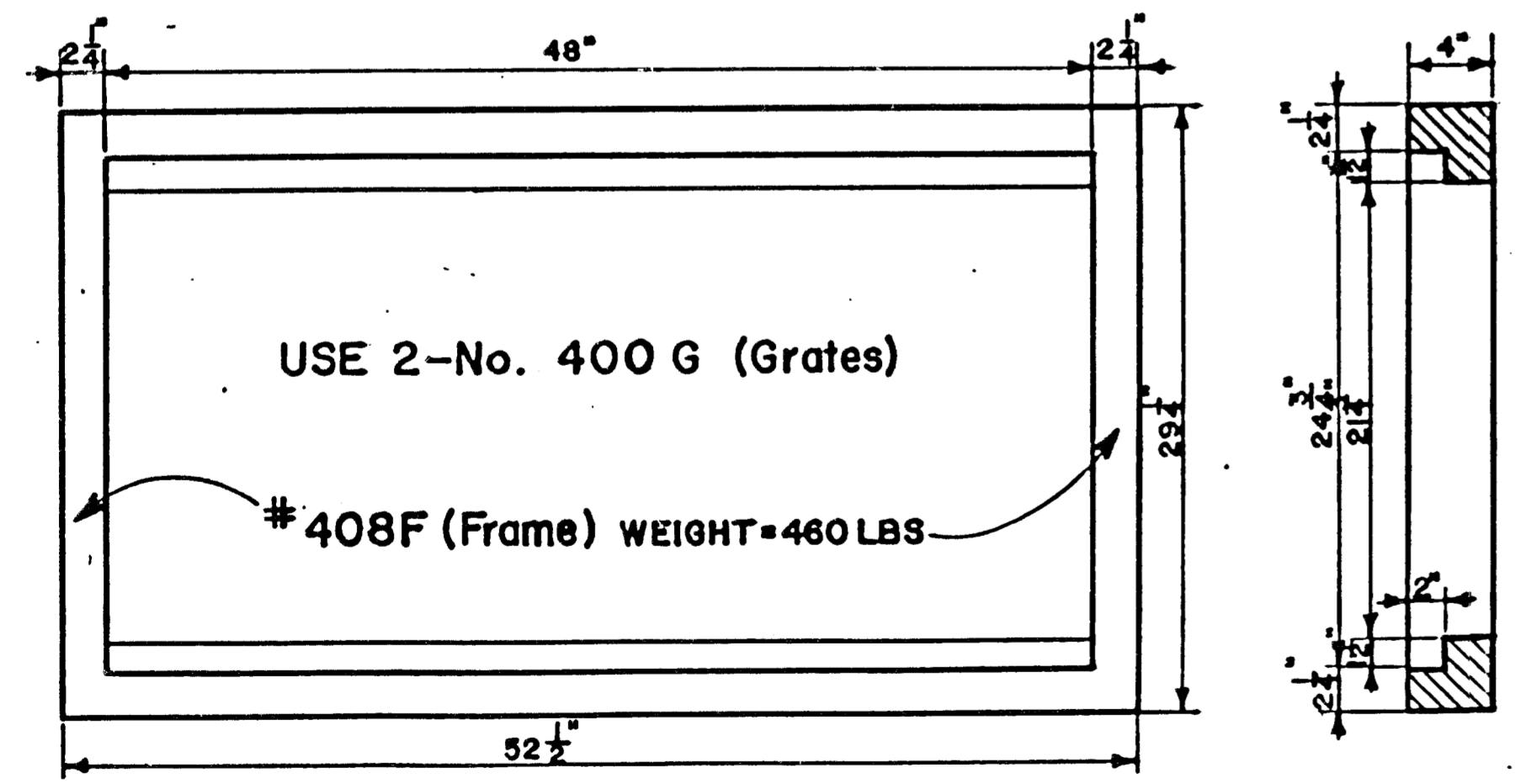


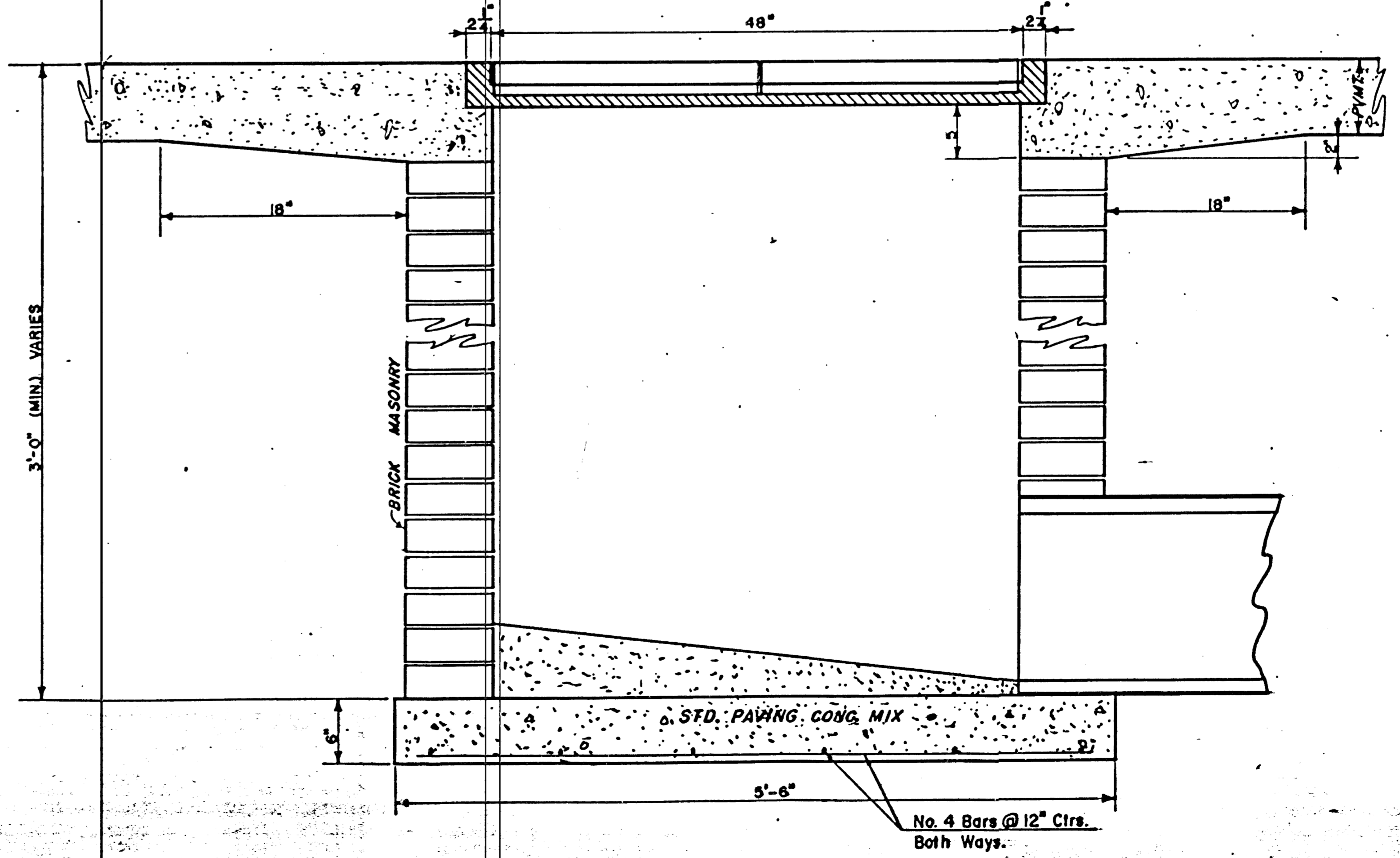
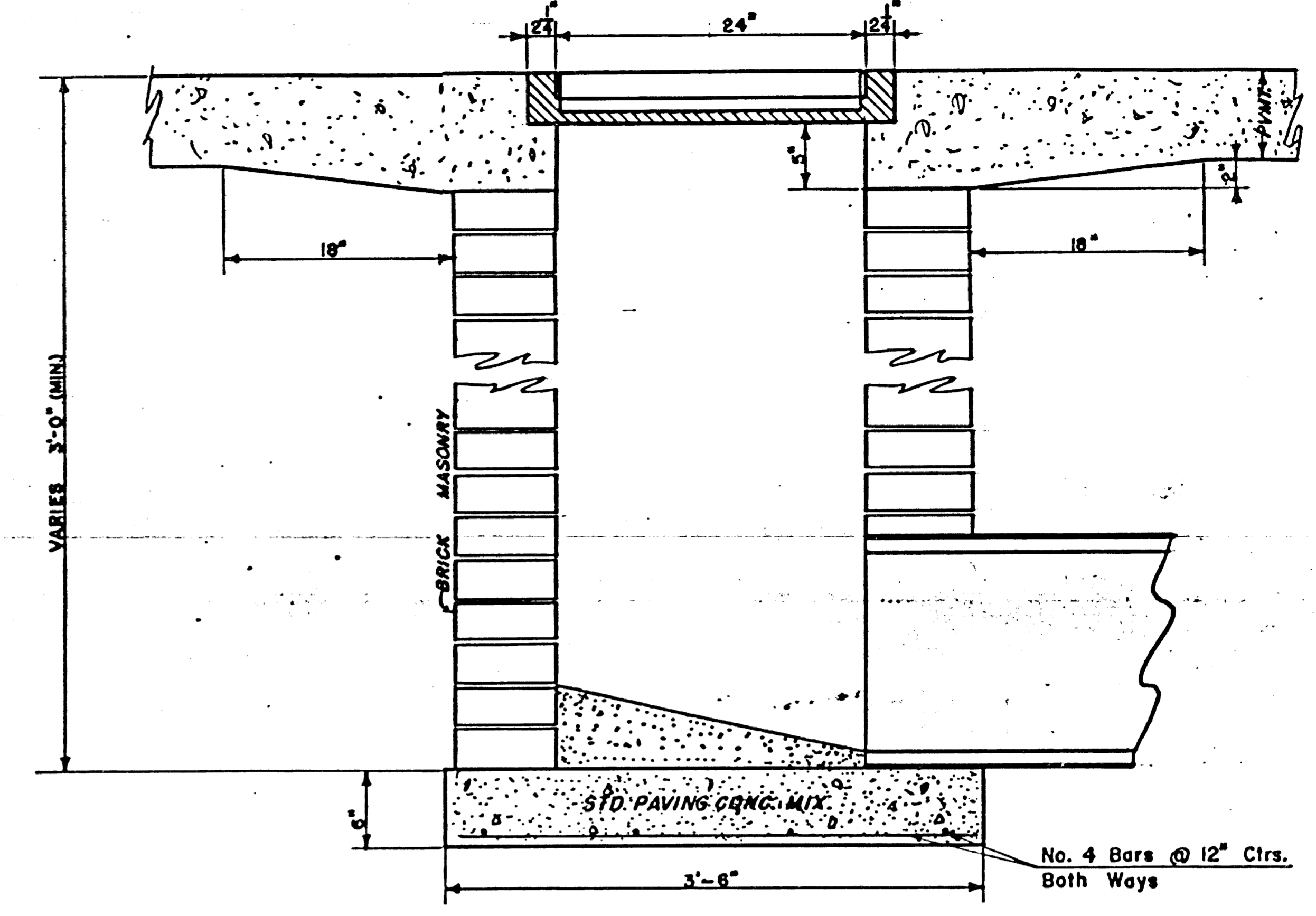
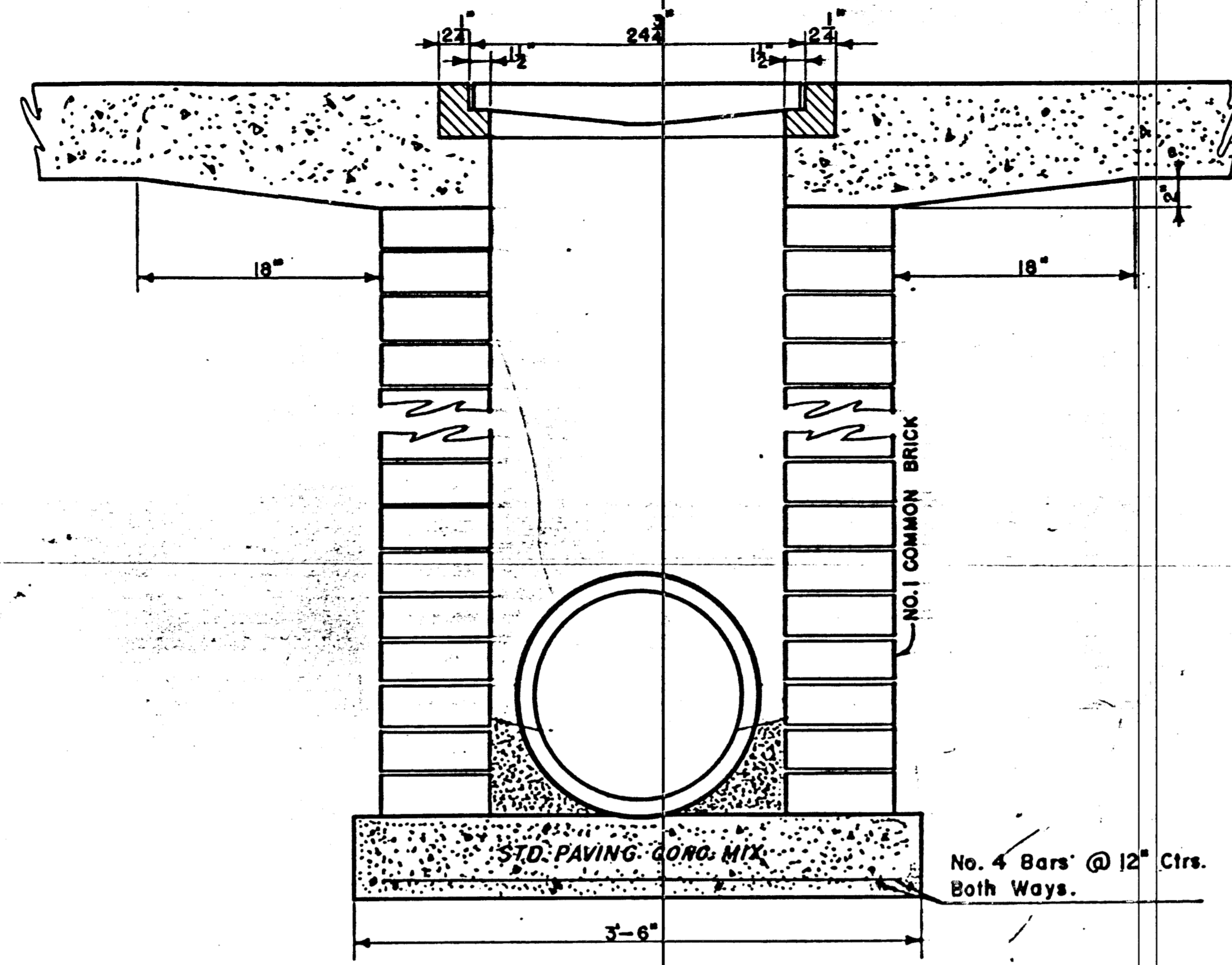
NOTE: Grates shall be imprinted on the top surface with "CITY OF WICHITA" using letters at least 1" in height. Other marking methods may be used only if approved by the engineer.



24"x24" Frame & Grate Detail



Double 24"x24" Frame Detail



DROP INLET DETAILS

M.E. Lindebak, City Engineer
 City of Wichita, Kansas
 Project _____
 Project No. _____
 Date: _____
 Scale: 1-1/2" = 1'-0"