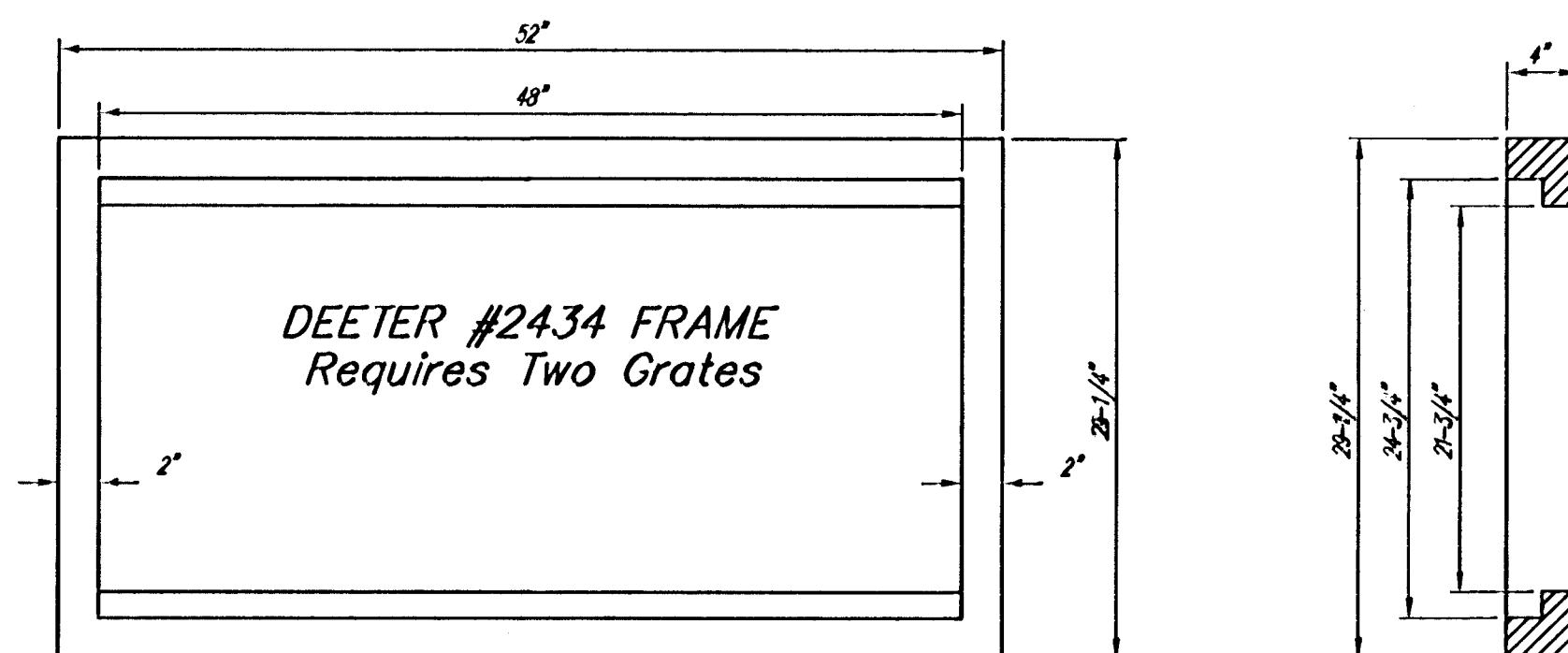


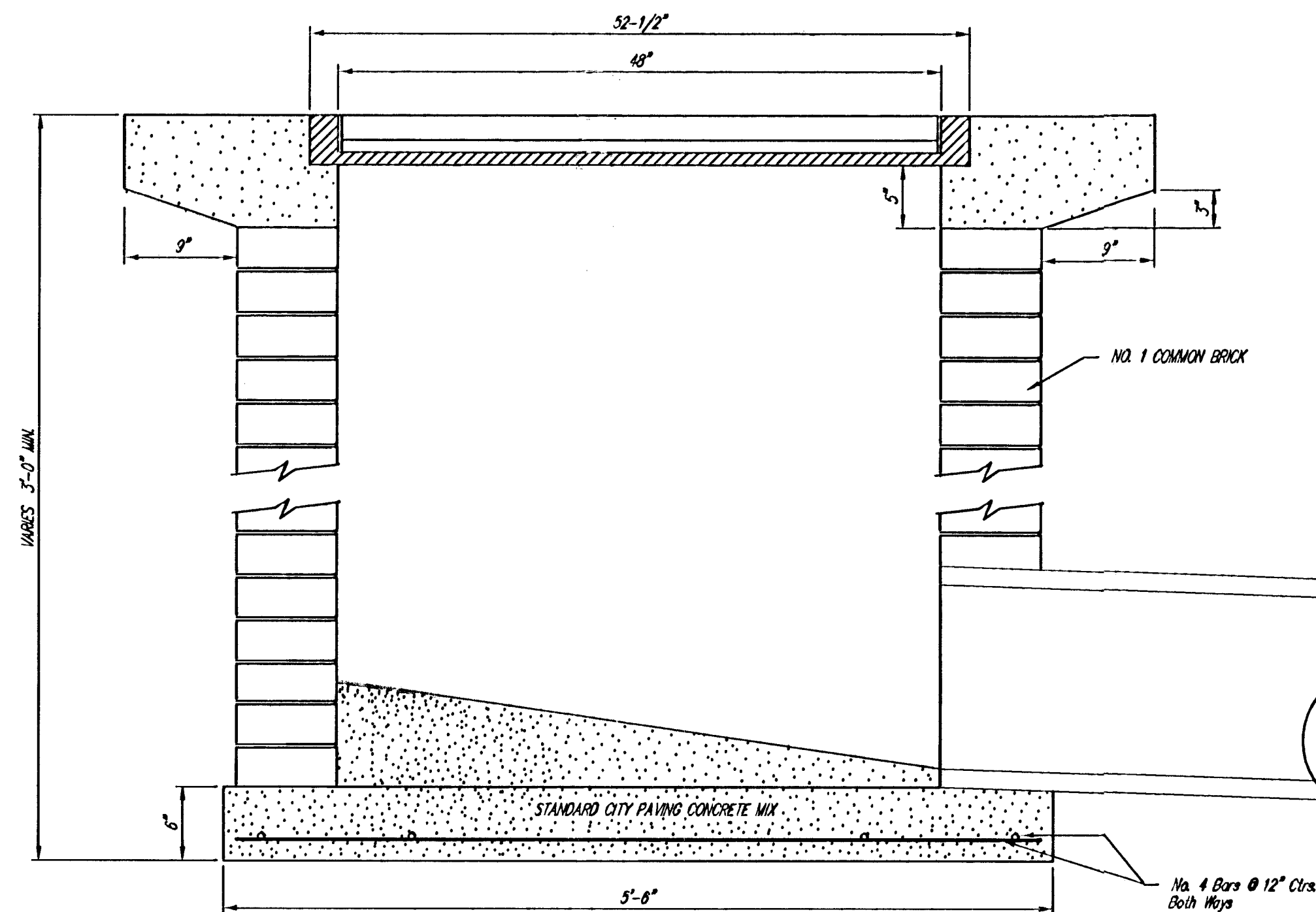
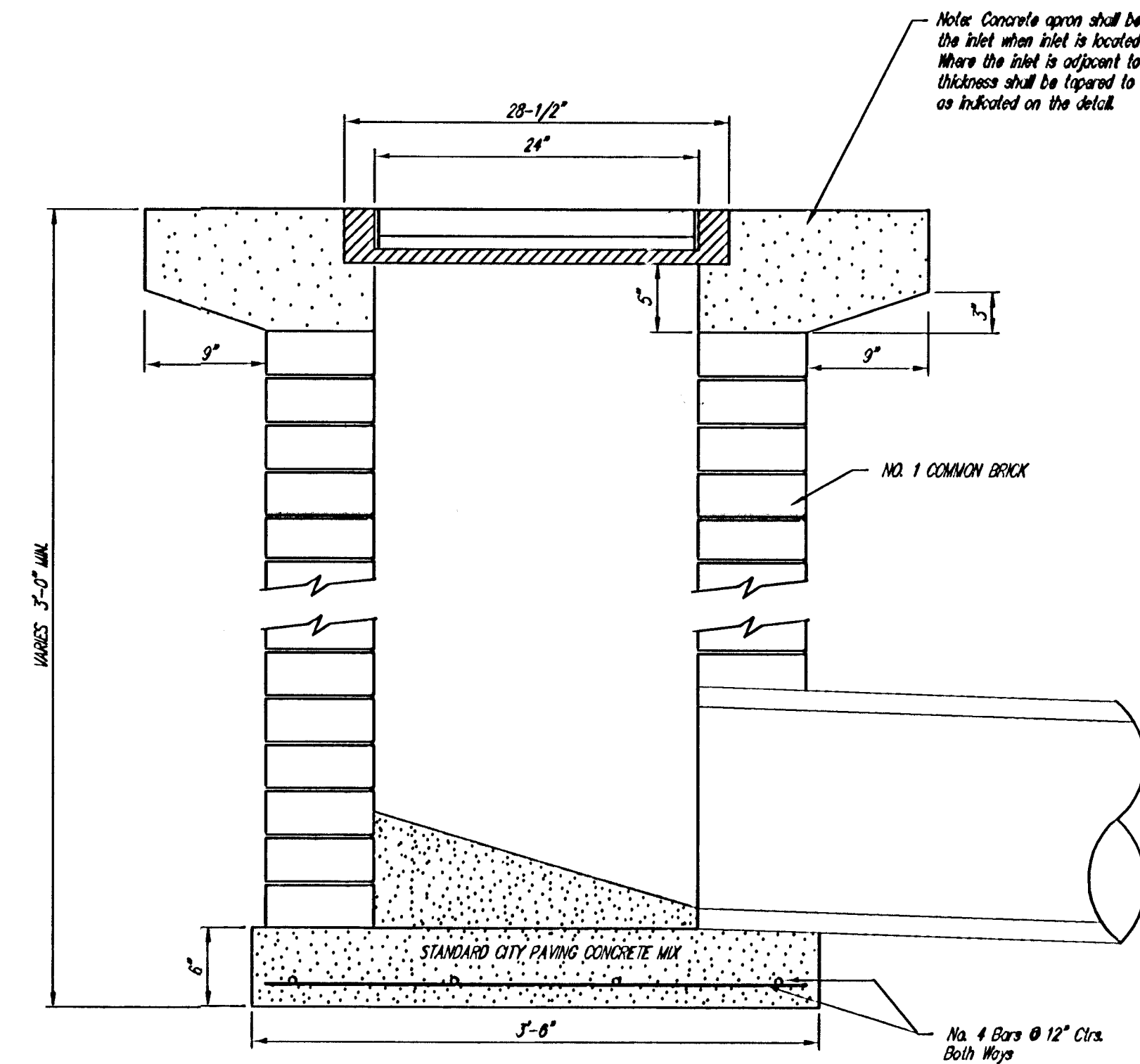
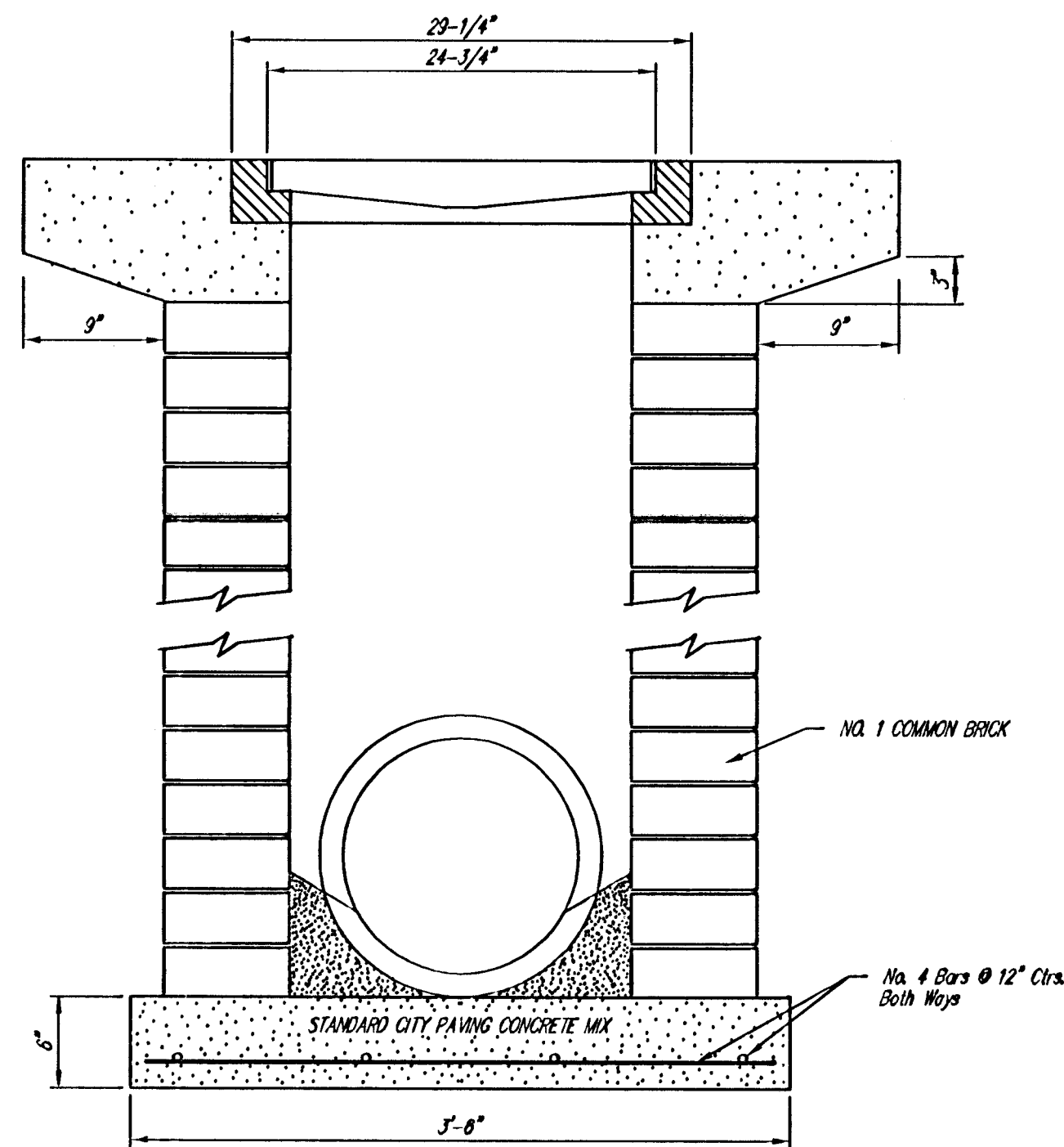
DEETER #2433 GRATE

24" x 24" Frame and Grate Detail

NOTE: Grates shall be imprinted on the top surface with "CITY OF WICHITA" using letters at least 1" in height. Other marking methods may be approved by the engineer.



Double 24" x 24" Frame Detail



	City of Wichita Standard	
	Drop Inlet Detail	
<small>Baughman Company, P.A. 315 Ellis &amp; Wichita, KS 67211 P 316-263-7171 F 316-263-6149 ENGINEERING   SURVEYING   PLANNING   LANDSCAPE ARCHITECTURE</small>		
PROJECT NUMBER 1702 FPS	DESIGN C.O.W.	DRAWN Staff
REVISIONS	APPROVED	DATE 8/05
	SCALE None	SHEET 10 OF 12