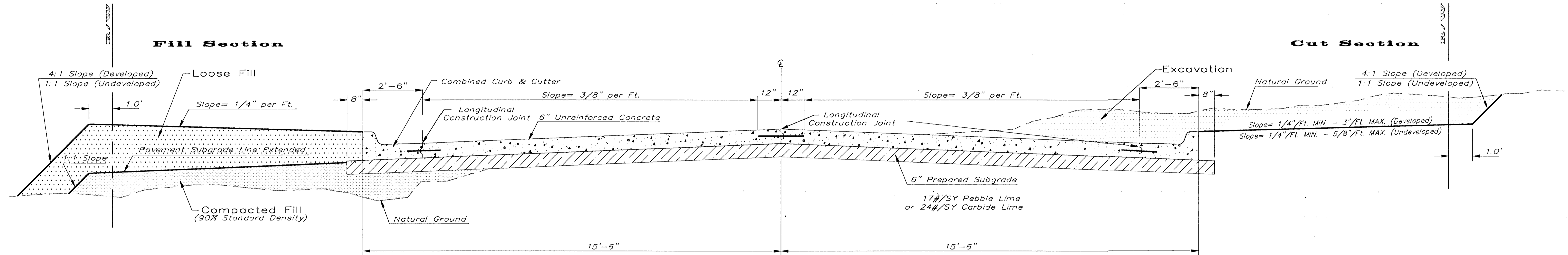
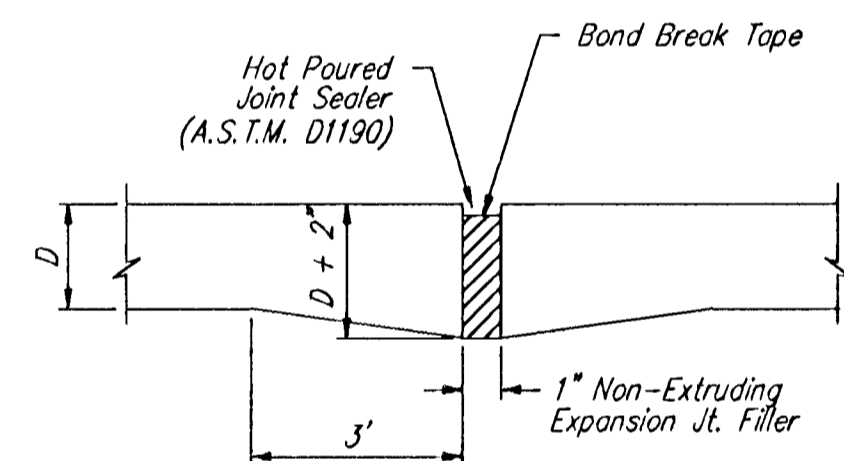


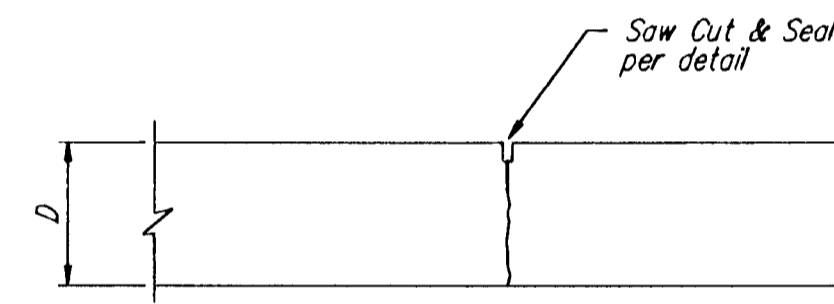
TYPICAL 35' CONCRETE PAVEMENT DETAILS



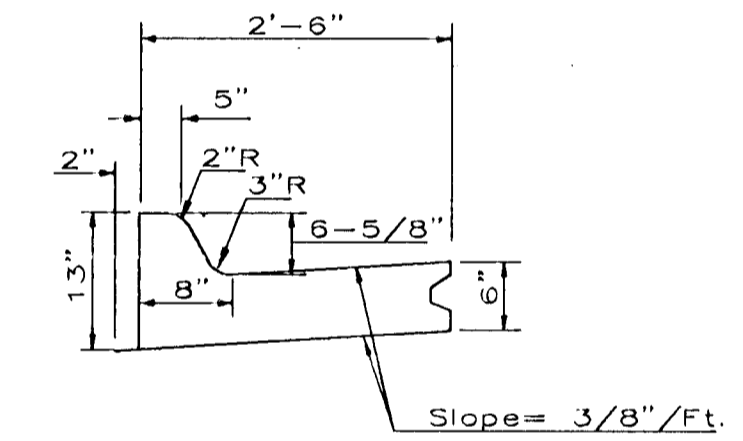
TRANSVERSE SECTION



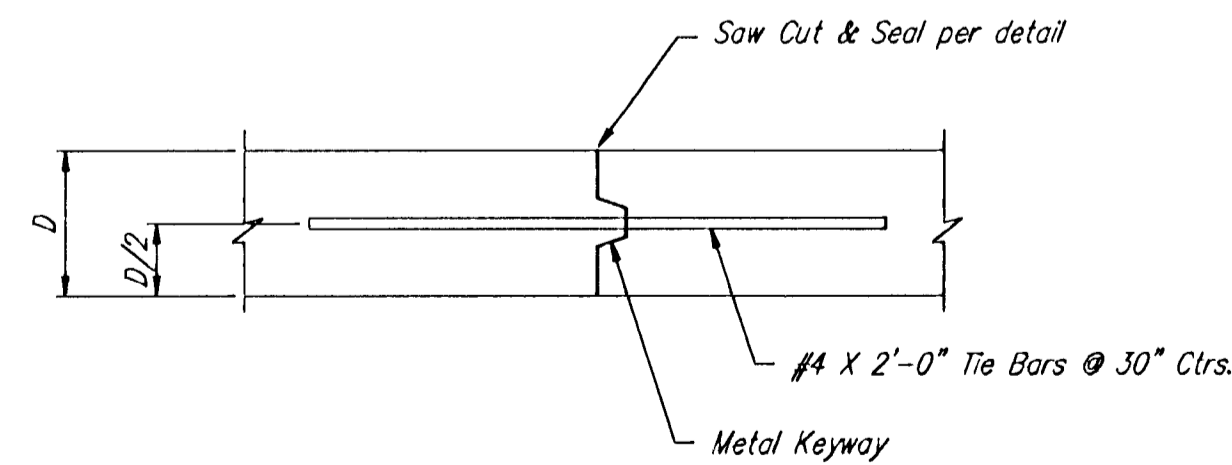
EXPANSION JOINT



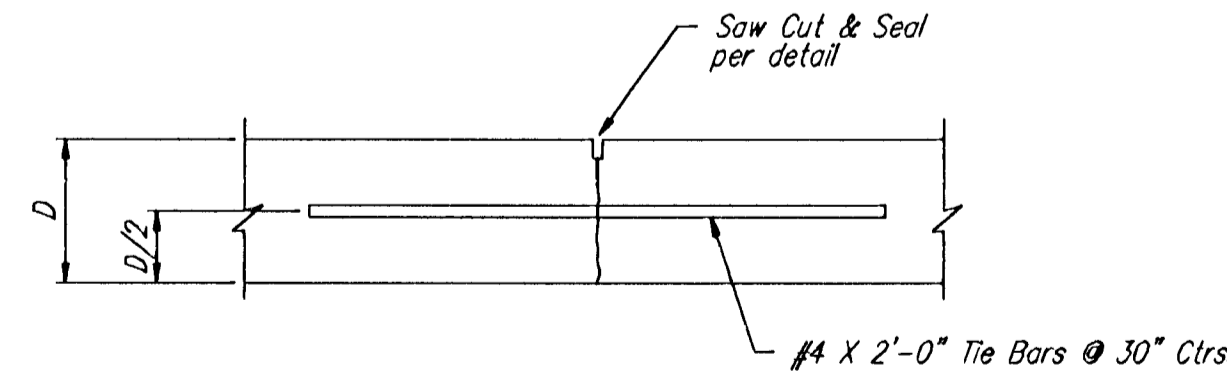
CONTRACTION JOINT DETAIL (C.J.)



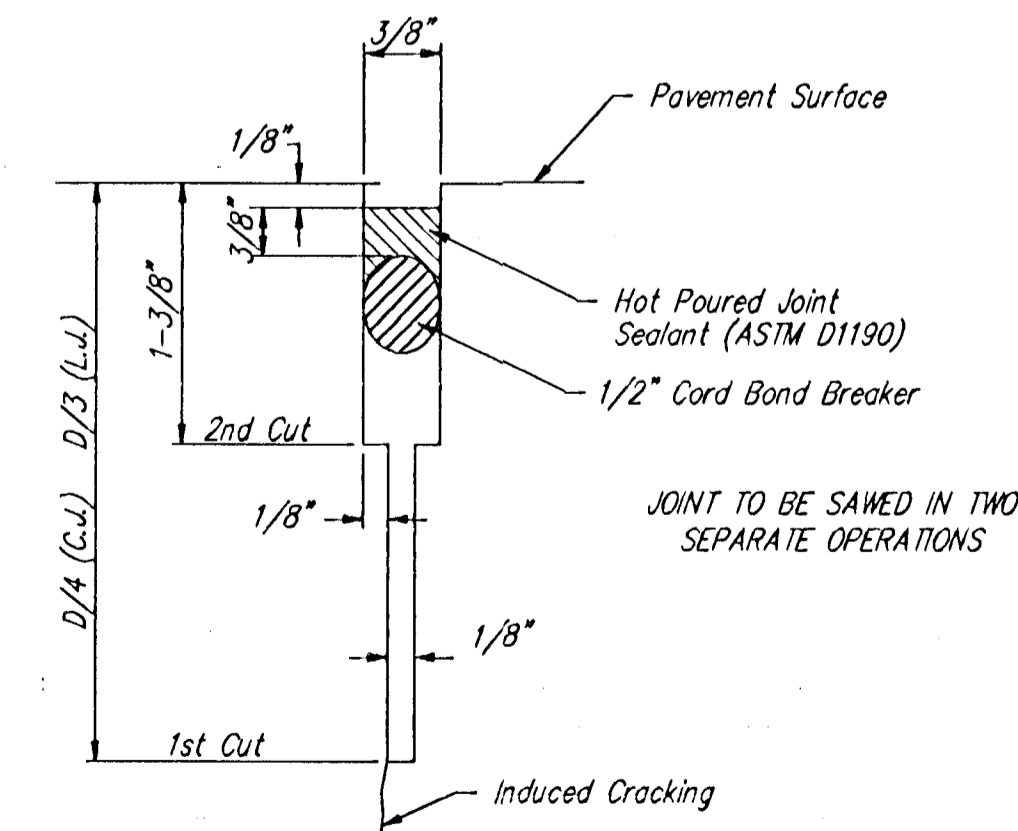
COMBINED CURB & GUTTER (6-5/8")



LONGITUDINAL JOINT DETAIL (L.J.) (CONSTRUCTION JOINT)



LONGITUDINAL JOINT DETAIL (L.J.) (OPTIONAL)



SAW JOINT DETAIL

6 INCH RESIDENTIAL UNREINFORCED CONCRETE PAVEMENT				
BAUGHMAN COMPANY P. A. ENGINEERING & SURVEYING 316/262-7271 • 315 ELLIS • WICHITA, KANSAS 67211				REV.
PROJECT NUMBER 074 PPP 607879				SHEET 3
DESIGN TCR	DRAWN GLD	APPROVED	DATE 10-1-92	SCALE NONE
				OF 11