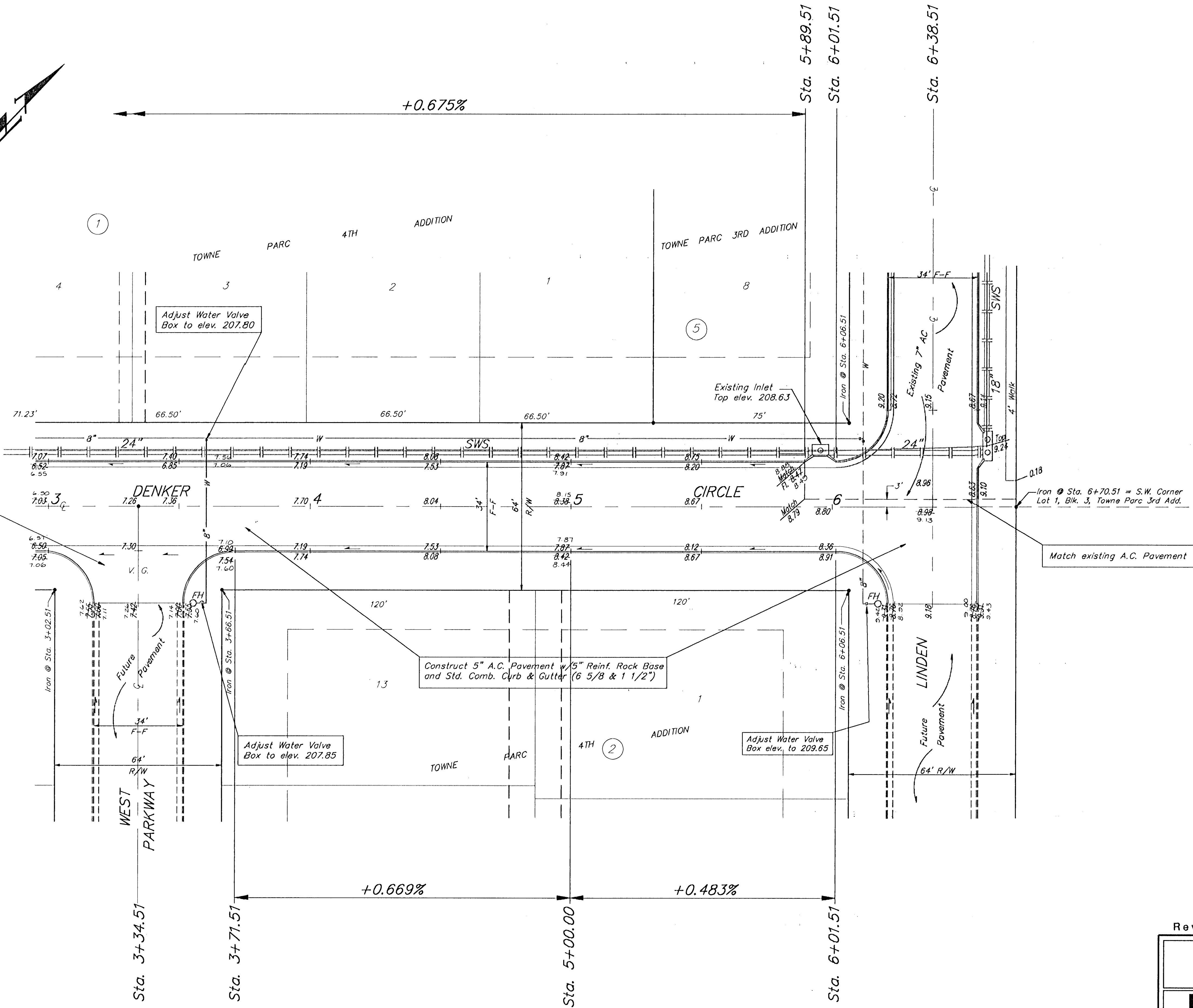
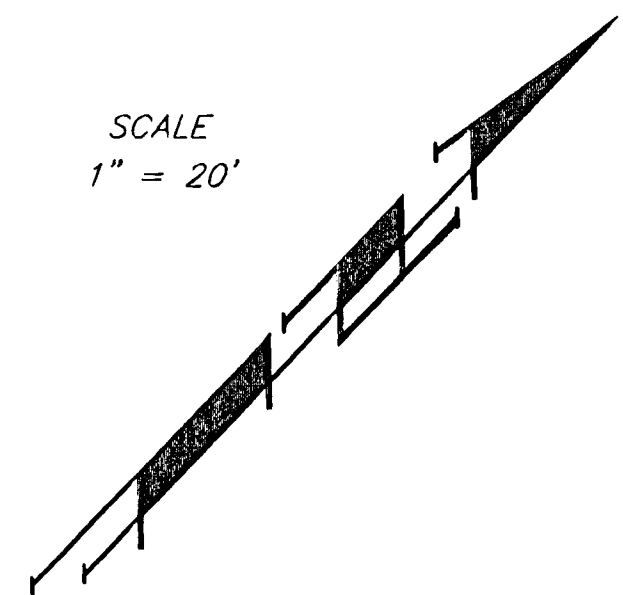


SCALE
1" = 20'



Revised Asbuilt 3-6-93

TOWNE PARC 4TH ADDITION
DENKER CIRCLE

BAUGHMAN COMPANY P. A.
ENGINEERING & SURVEYING
316/262-7271 • 315 ELLIS • WICHITA, KANSAS 67211

PROJECT NUMBER
074 PPP 607879

DESIGN TCR	DRAWN GLD	UTIL. CHECK'D TCR	DATE 10-1-92	SCALE 1" = 20'	SHEET 6 OF 11
---------------	--------------	----------------------	-----------------	-------------------	------------------------