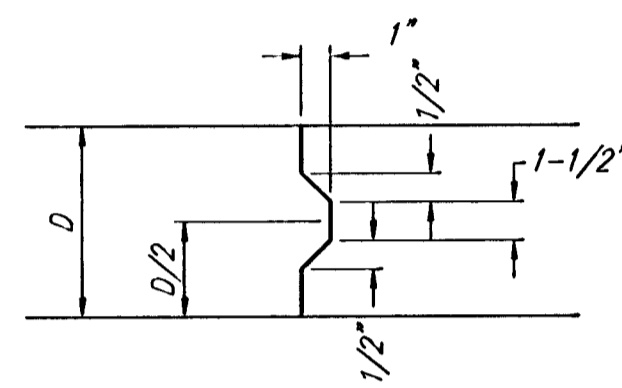
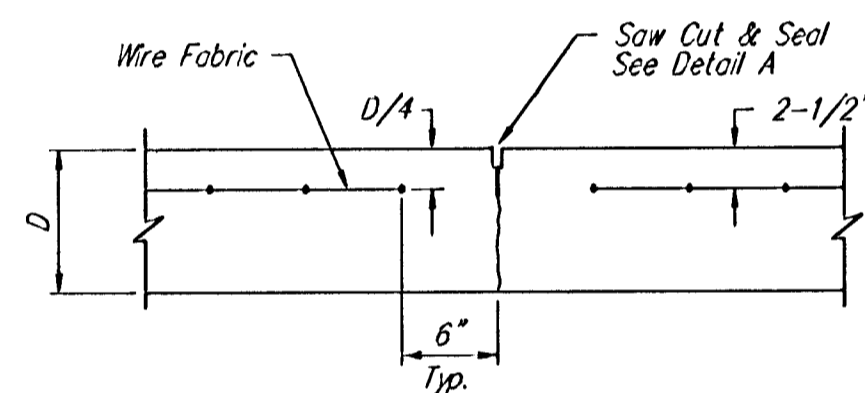


EXPANSION JOINT

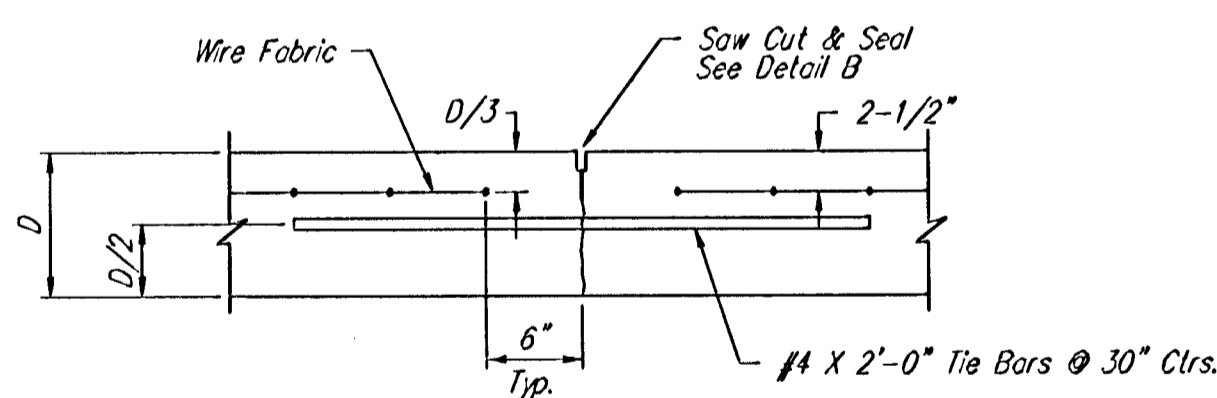
NOTE: Extra Thickness to be Subsidiary to Price of Square Yards Pavement



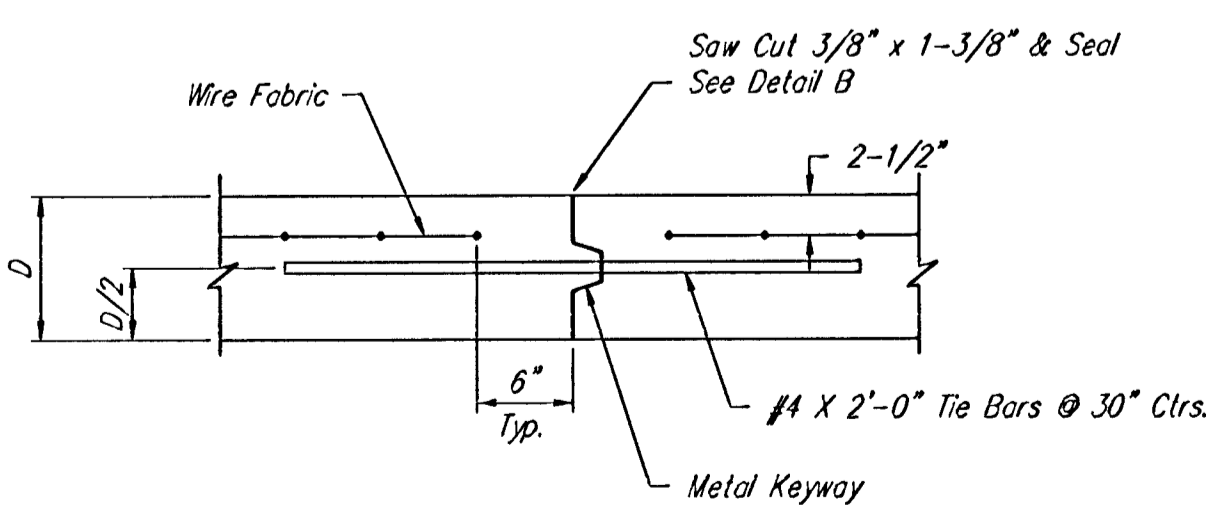
KEYWAY DETAIL



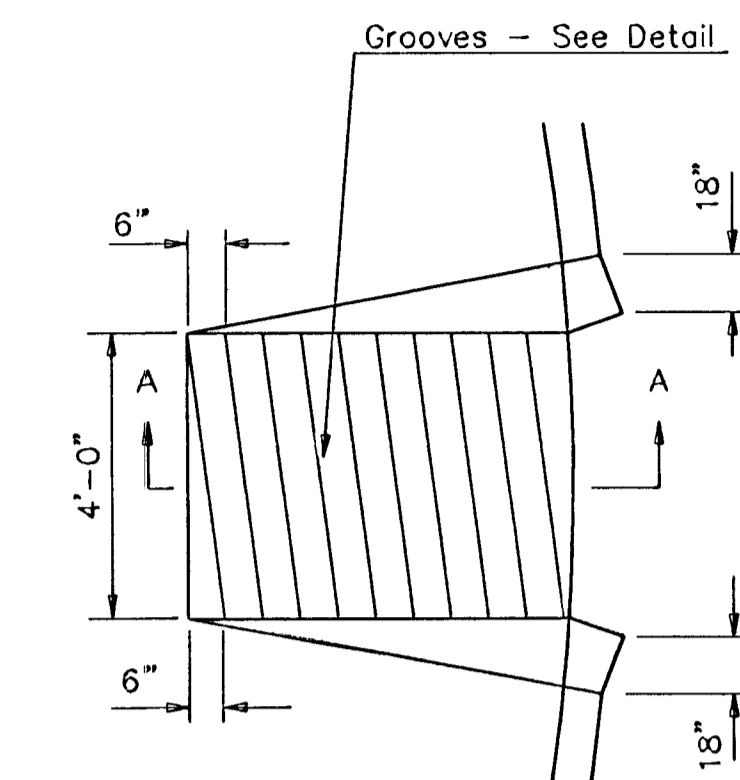
CONTRACTION JOINT DETAIL (C.J.)



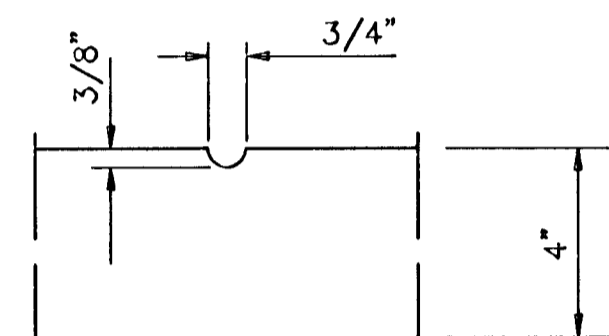
LONGITUDINAL JOINT DETAIL (L.J.)



OPTIONAL LONGITUDINAL JOINT DETAIL (L.J.) (CONSTRUCTION JOINT)

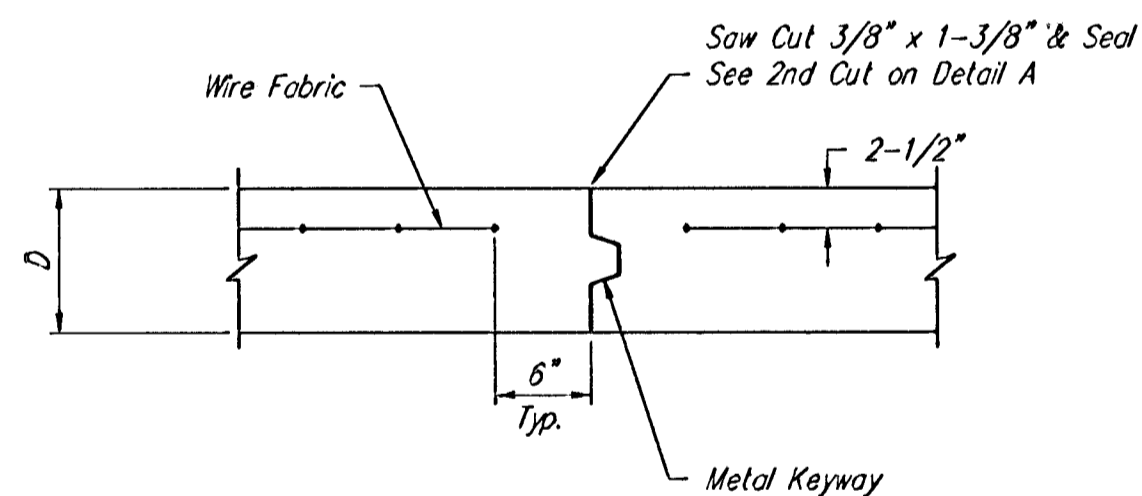


WHEELCHAIR RAMP PLAN VIEW

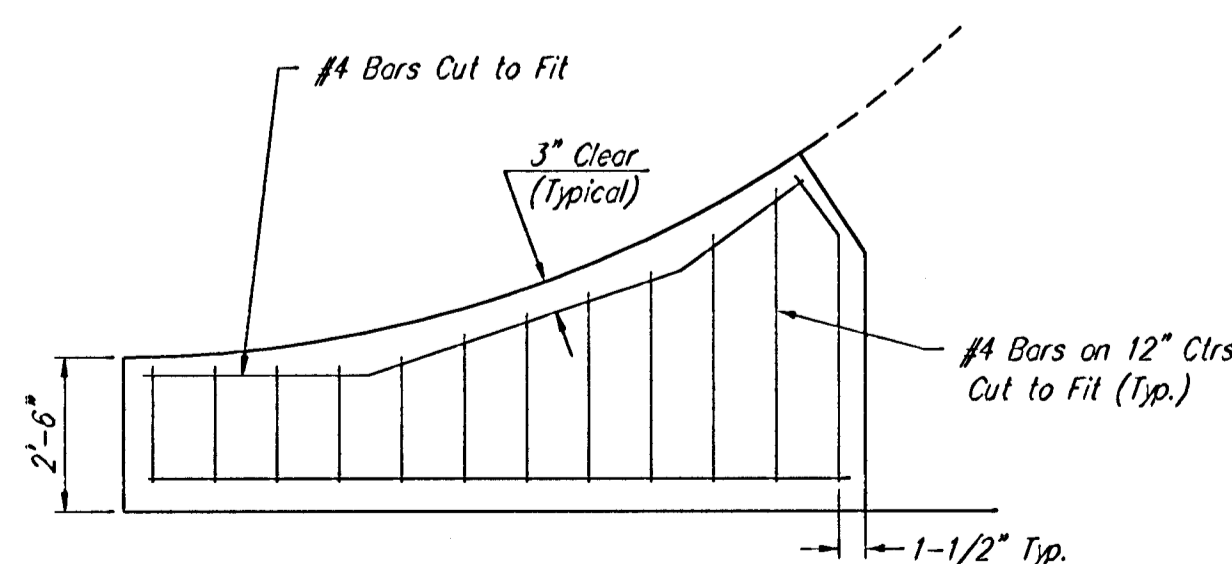


GROOVE DETAIL

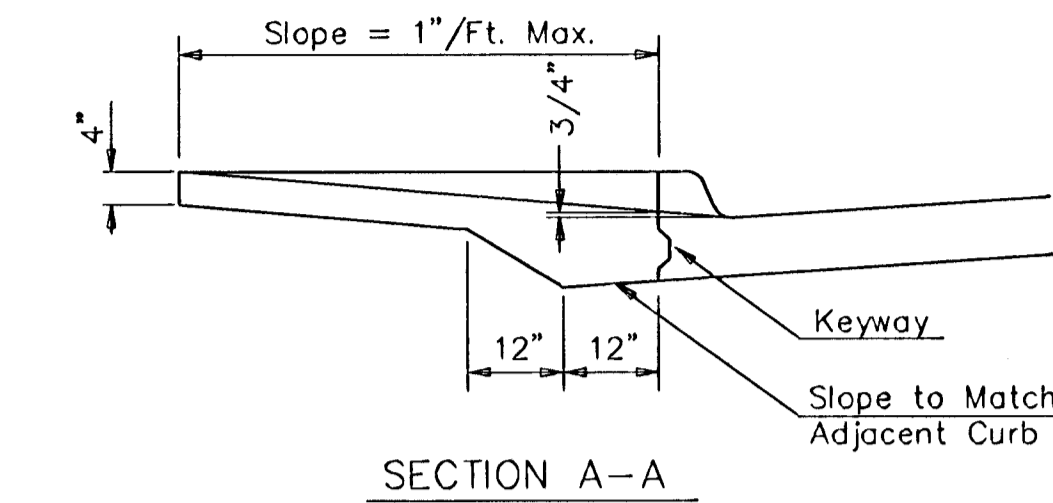
WHEELCHAIR RAMP DETAIL



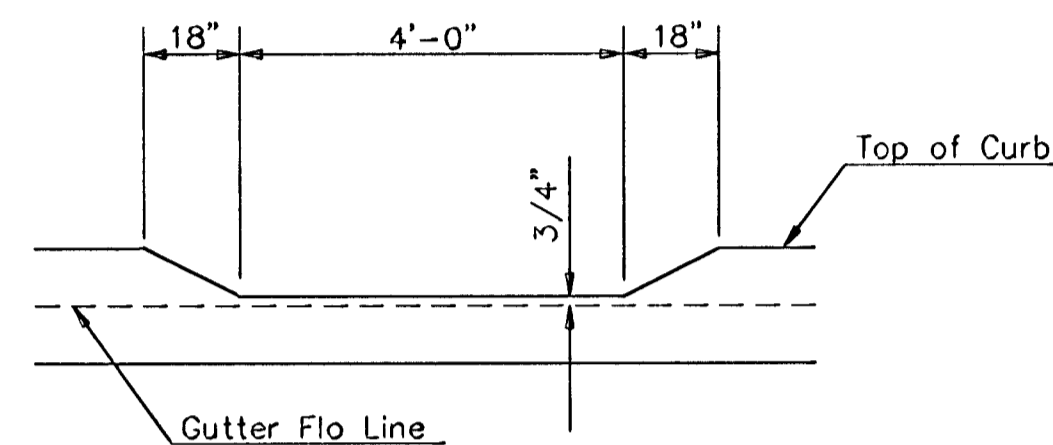
OPTIONAL CONTRACTION JOINT (CONSTRUCTION JOINT)



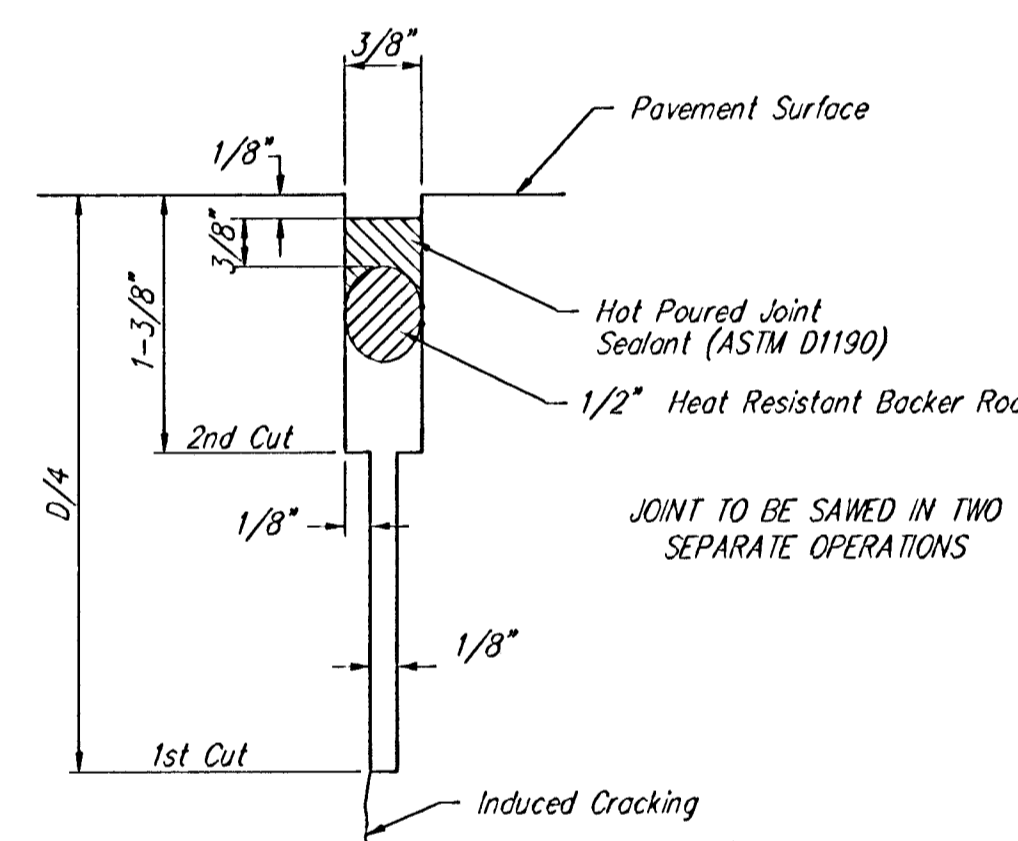
WING REINFORCING DETAIL



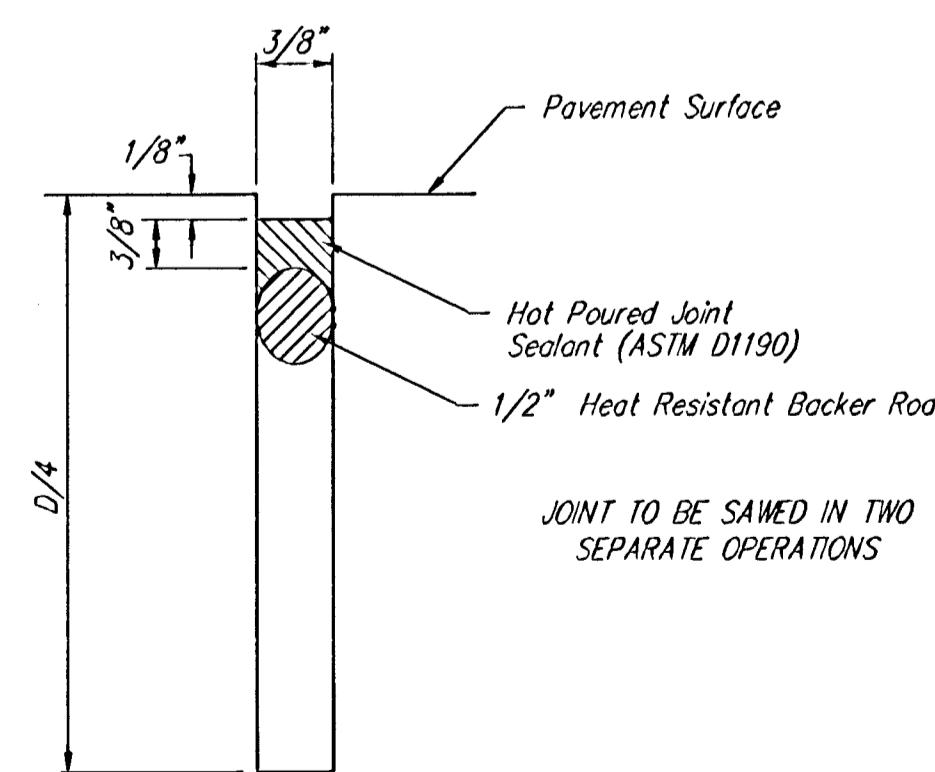
SECTION A-A



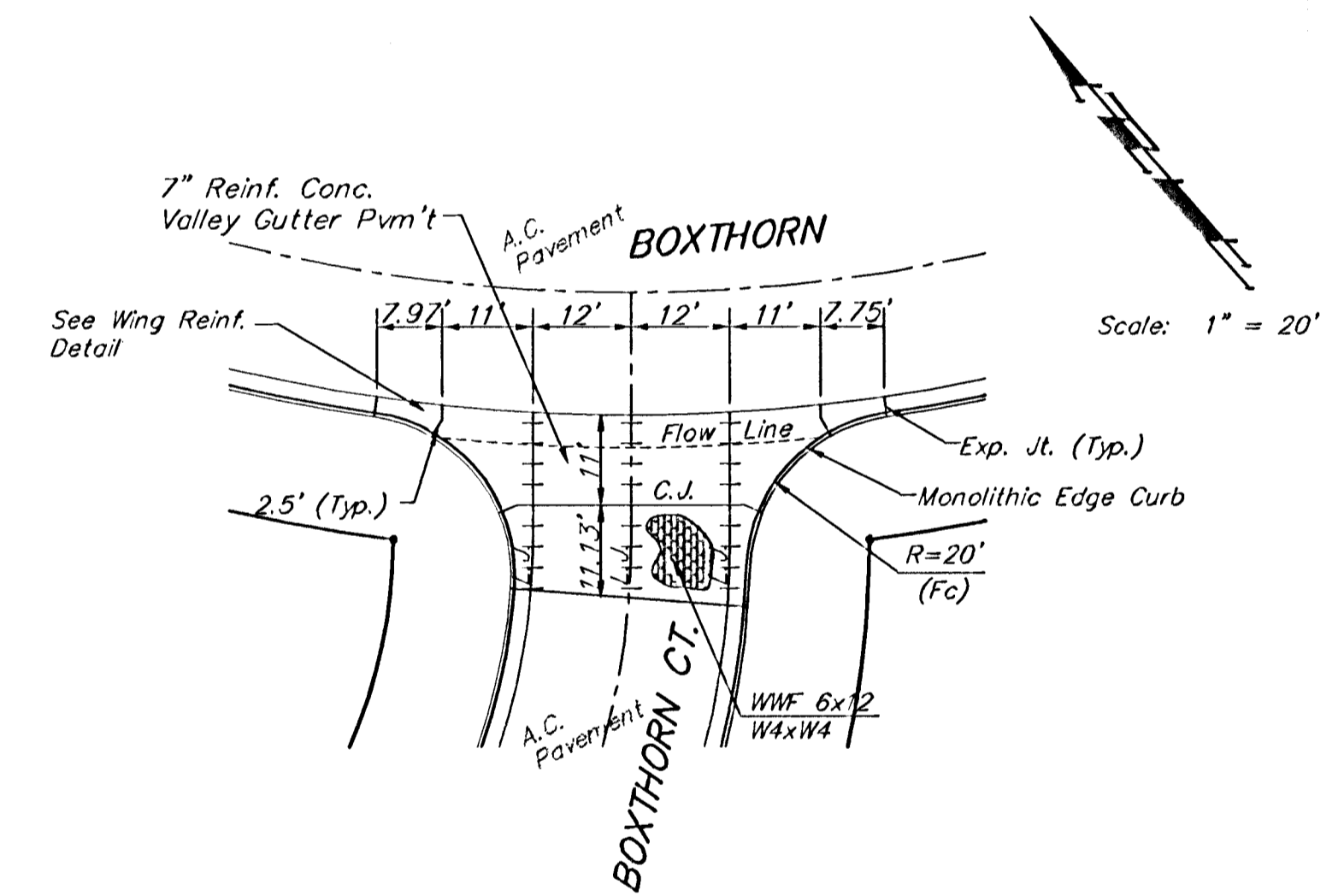
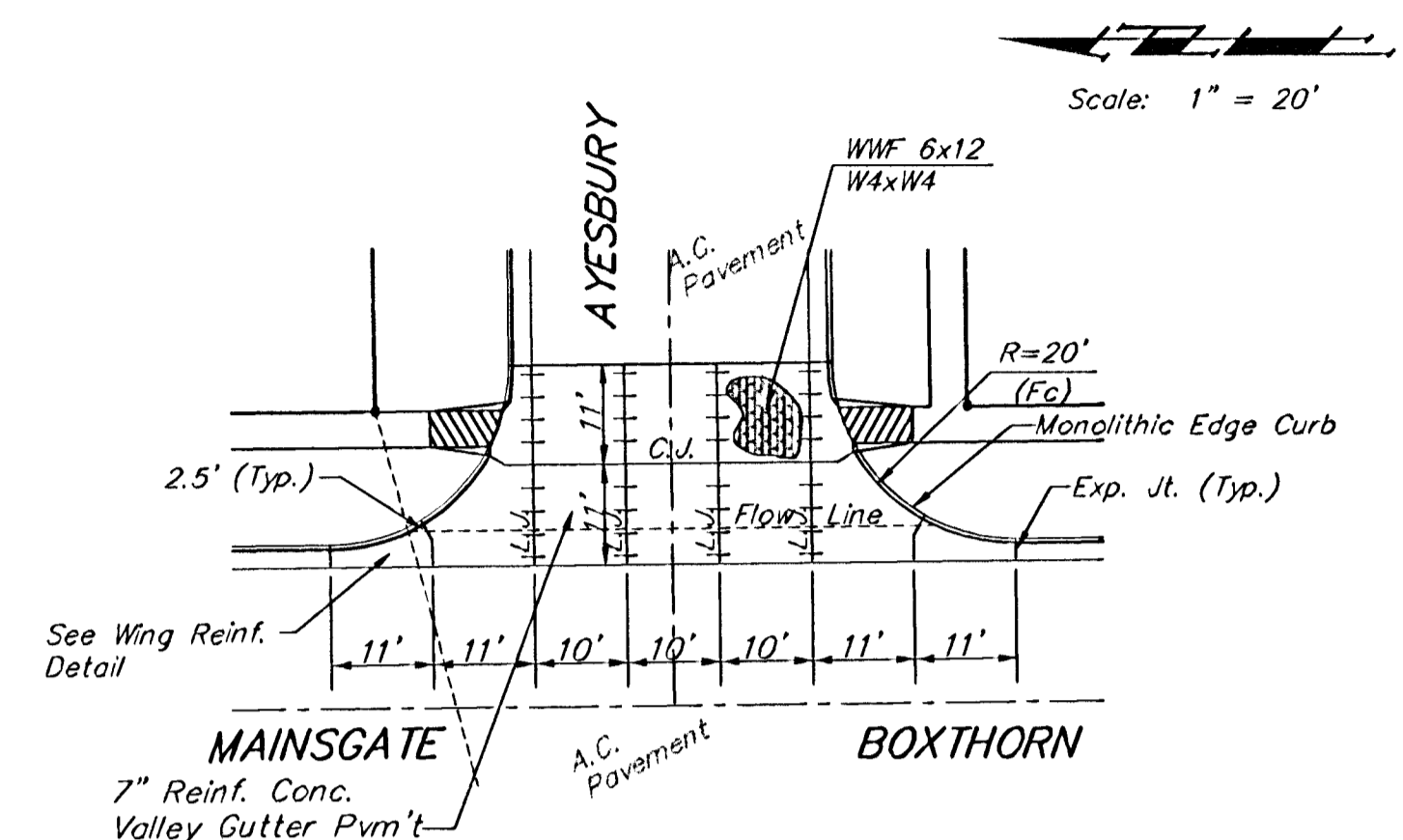
DEPRESSED CURB DETAIL



SAW JOINT DETAIL "A"



SAW JOINT DETAIL "B"



NOTE: 6" X 12" W4XW4 Wire Fabric Reinforcing Shall Be Placed So That The Wires With The 6" Spacing Will Run Parallel With The Longitudinal Joints.

VALLEY GUTTER DETAILS

BAUGHMAN COMPANY P.A.
ENGINEERING, SURVEYING, & PLANNING
318-262-7271 • 315 ELLIS • WICHITA, KANSAS 67211

PROJECT NUMBER	472-83484	SHEET	5
DESIGN STAFF	DRAWN STAFF	APPROVED	DATE 7/23/03
		SCALE	NONE

02-108-6389
1/2002/AL