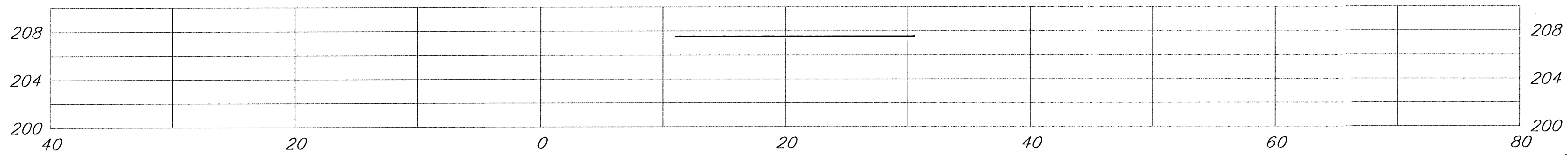
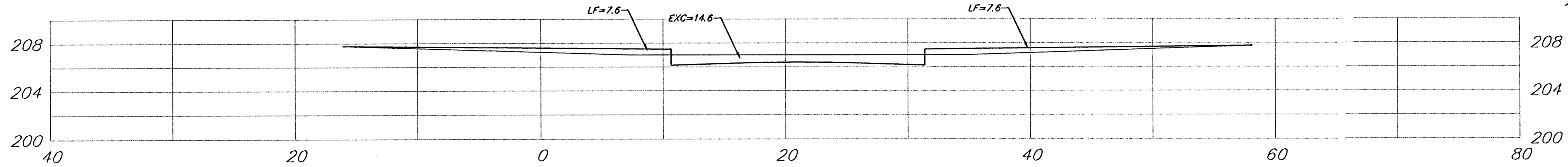


3+25.50



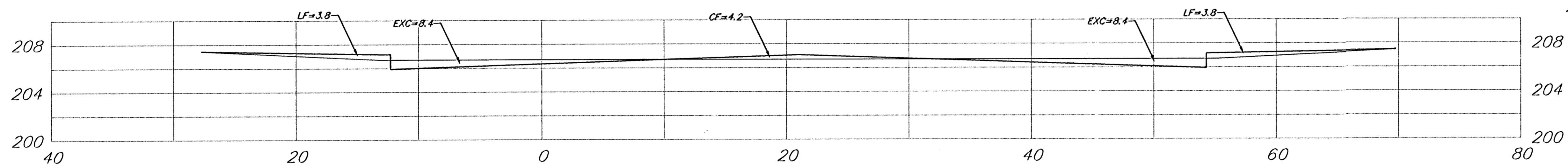
15.00' $\left\{ \begin{array}{l} \text{EXC} = 4.1 \\ \text{LF} = 4.2 \\ \text{CF} = 0.0 \end{array} \right.$

3+10.50



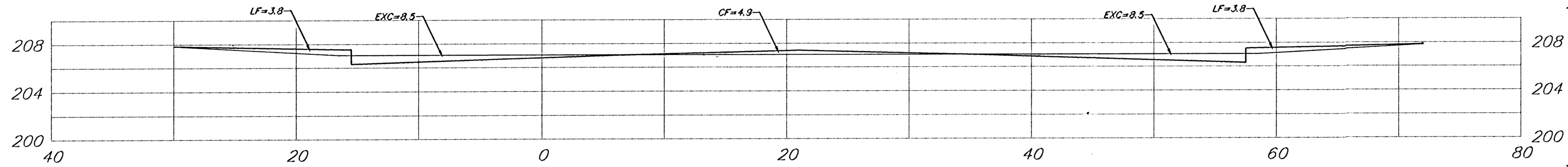
20.00' $\left\{ \begin{array}{l} \text{EXC} = 11.6 \\ \text{LF} = 8.4 \\ \text{CF} = 1.6 \end{array} \right.$

2+90.50



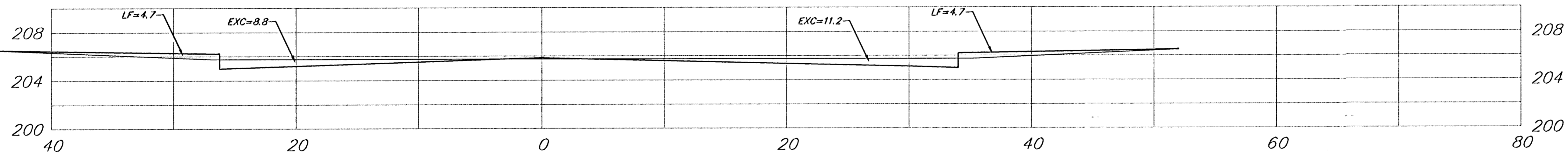
15.00' $\left\{ \begin{array}{l} \text{EXC} = 9.4 \\ \text{LF} = 4.2 \\ \text{CF} = 2.5 \end{array} \right.$

2+75.50



43.31' $\left\{ \begin{array}{l} \text{EXC} = 22.8 \\ \text{LF} = 10.5 \\ \text{CF} = 3.0 \end{array} \right.$

2+42.19



Sheet Totals:
 Excavation = 47.9 C.Y.
 Loose Fill = 27.4 C.Y.
 Compacted Fill = 7.1 C.Y.

AYESBURY CT.

	ID BAUGHMAN COMPANY P.A. ENGINEERING, SURVEYING, & PLANNING <small>316-262-7271 • 315 ELLIS • WICHITA, KANSAS 67211</small>	REV.
	PROJECT NUMBER 472-83484	SHEET 38 OF 39