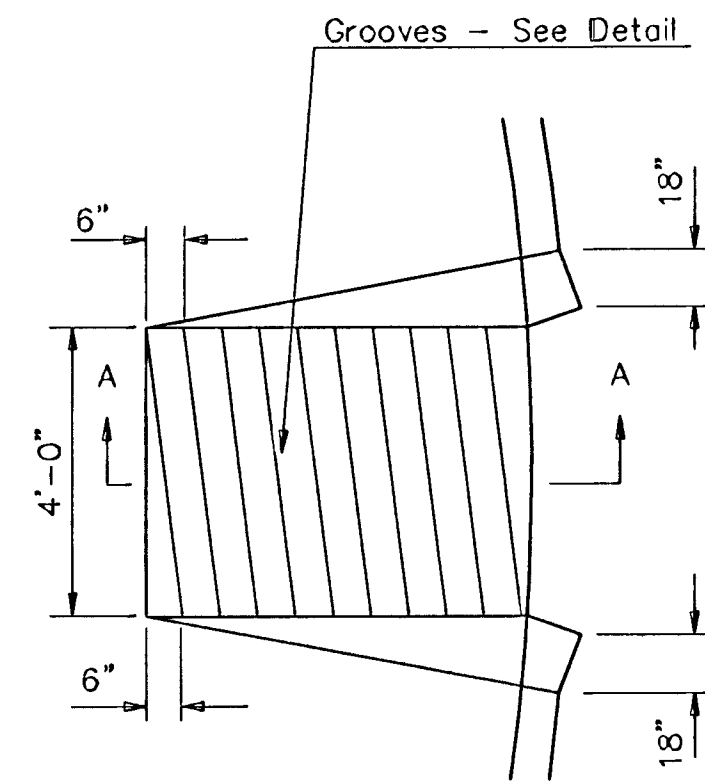
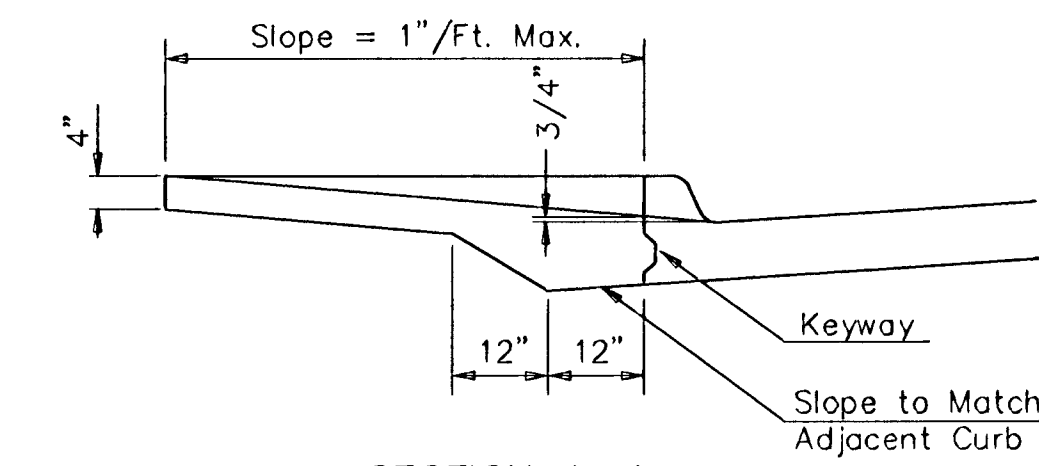


EXPANSION JOINT

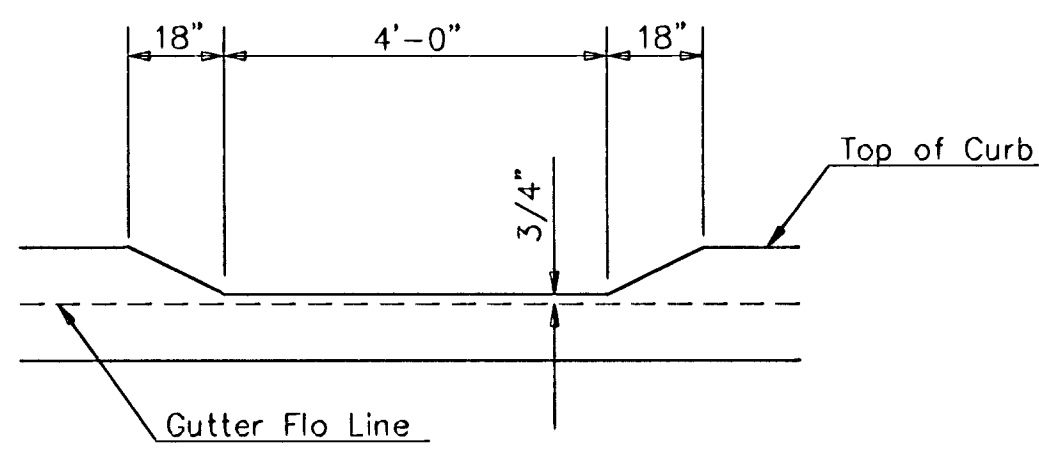
NOTE: Extra Thickness to be Subsidiary to Price of Square Yards Pavement



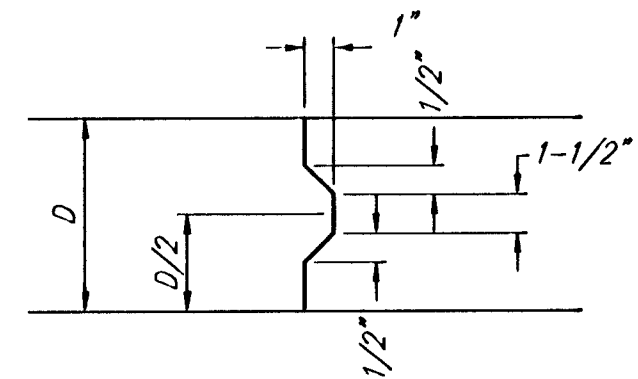
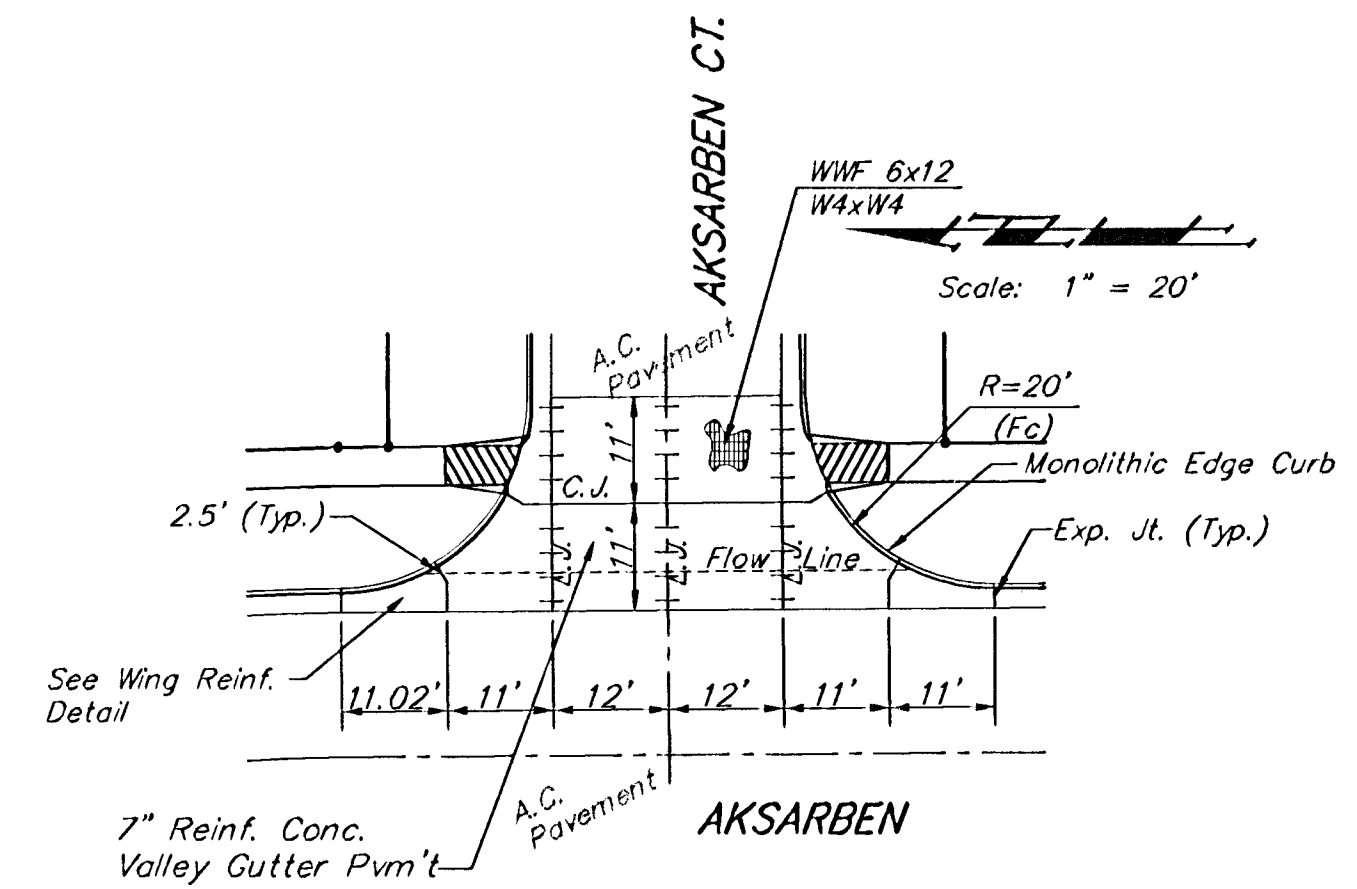
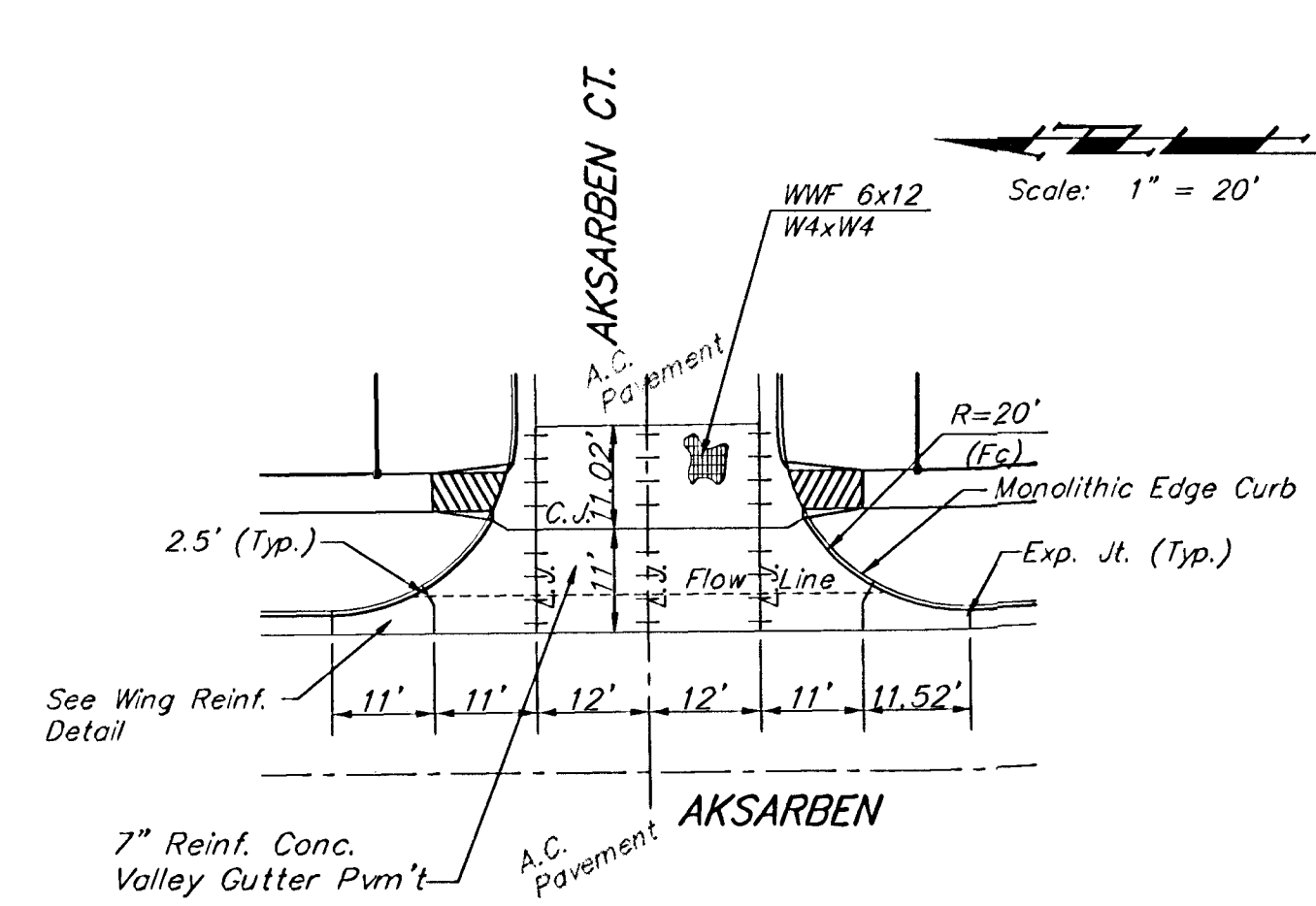
WHEELCHAIR RAMP PLAN VIEW



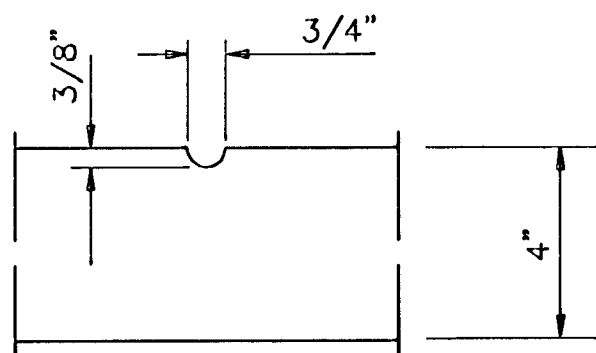
SECTION A-A



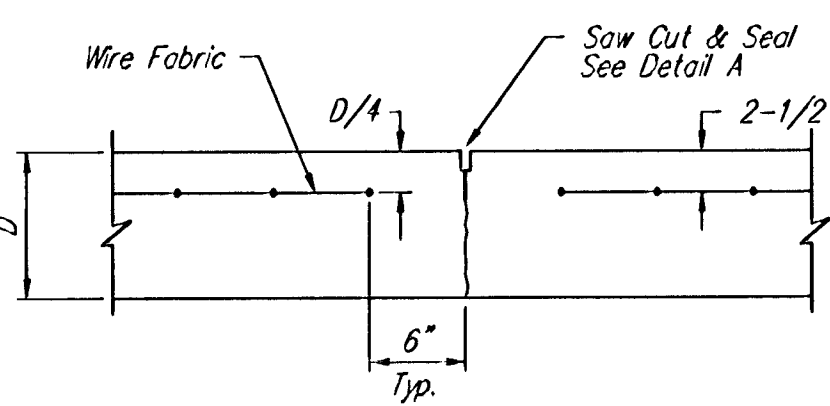
DEPRESSED CURB DETAIL



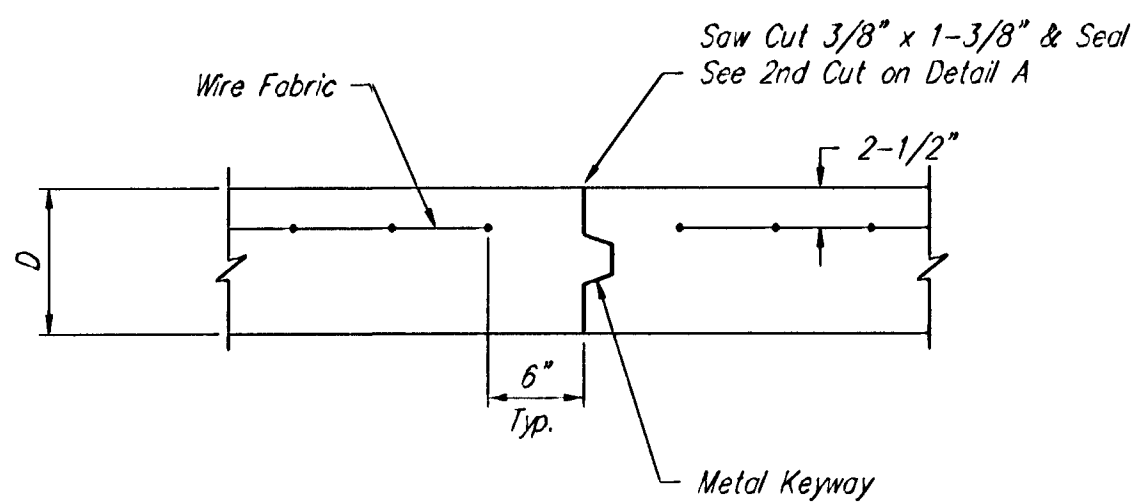
KEYWAY DETAIL



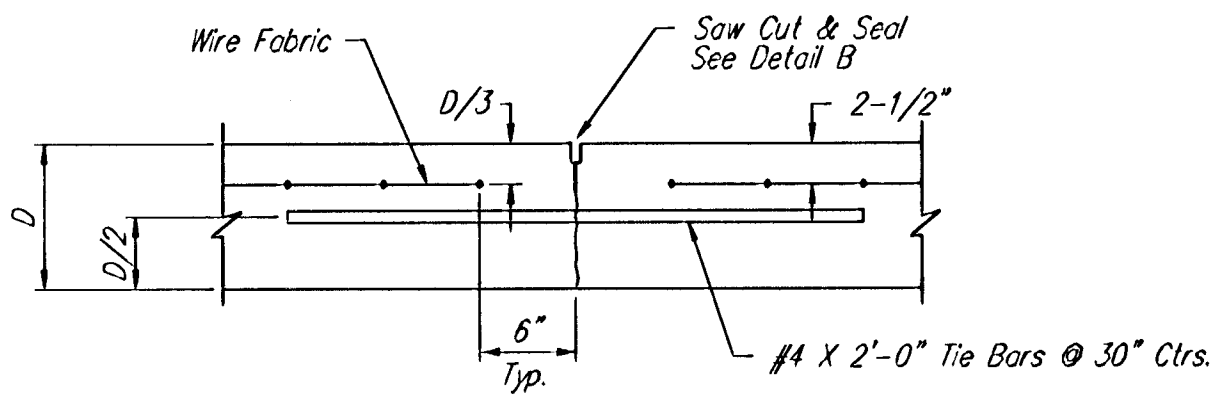
GROOVE DETAIL



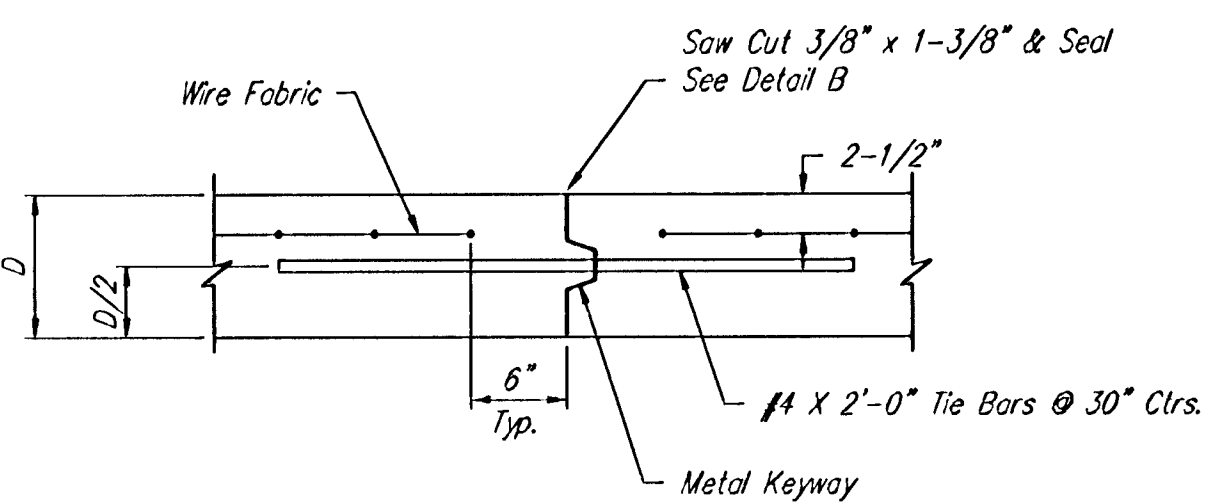
CONTRACTION JOINT DETAIL (C.J.)



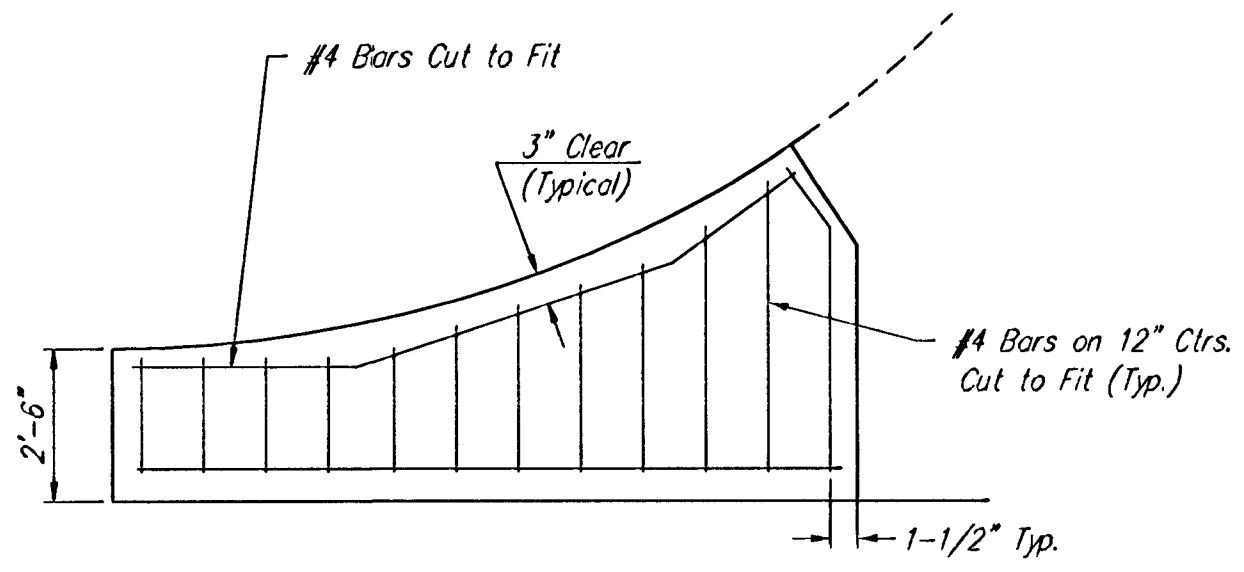
OPTIONAL CONTRACTION JOINT (CONSTRUCTION JOINT)



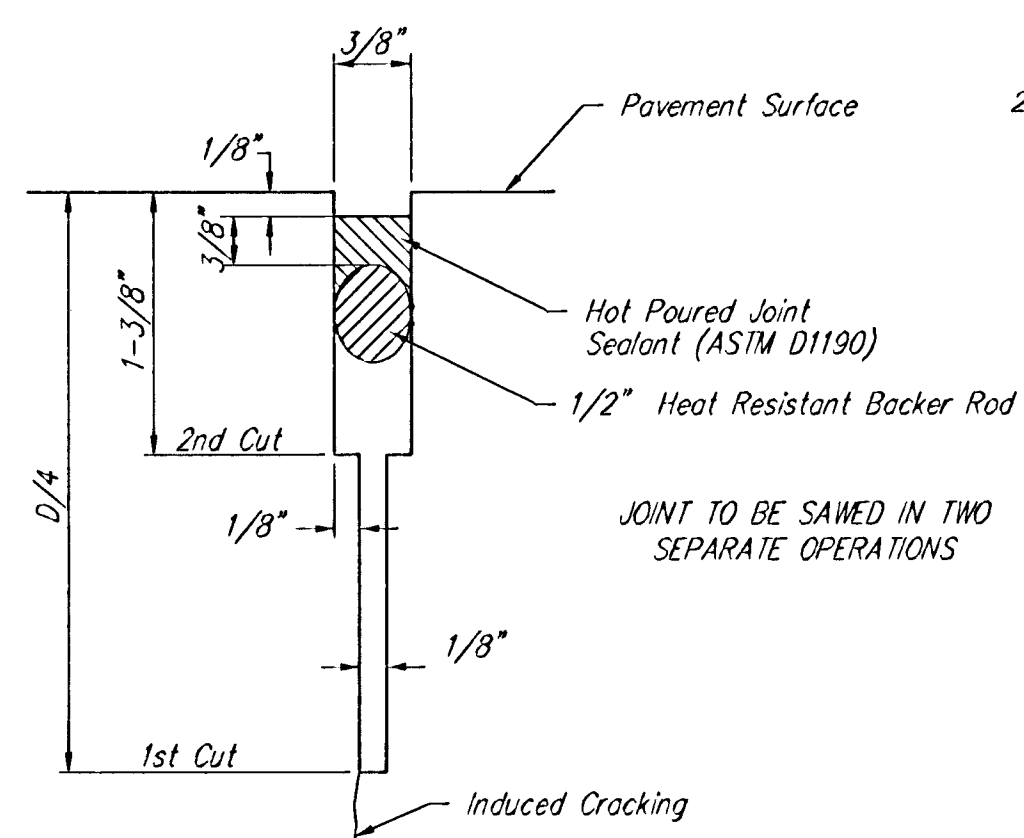
LONGITUDINAL JOINT DETAIL (L.J.)



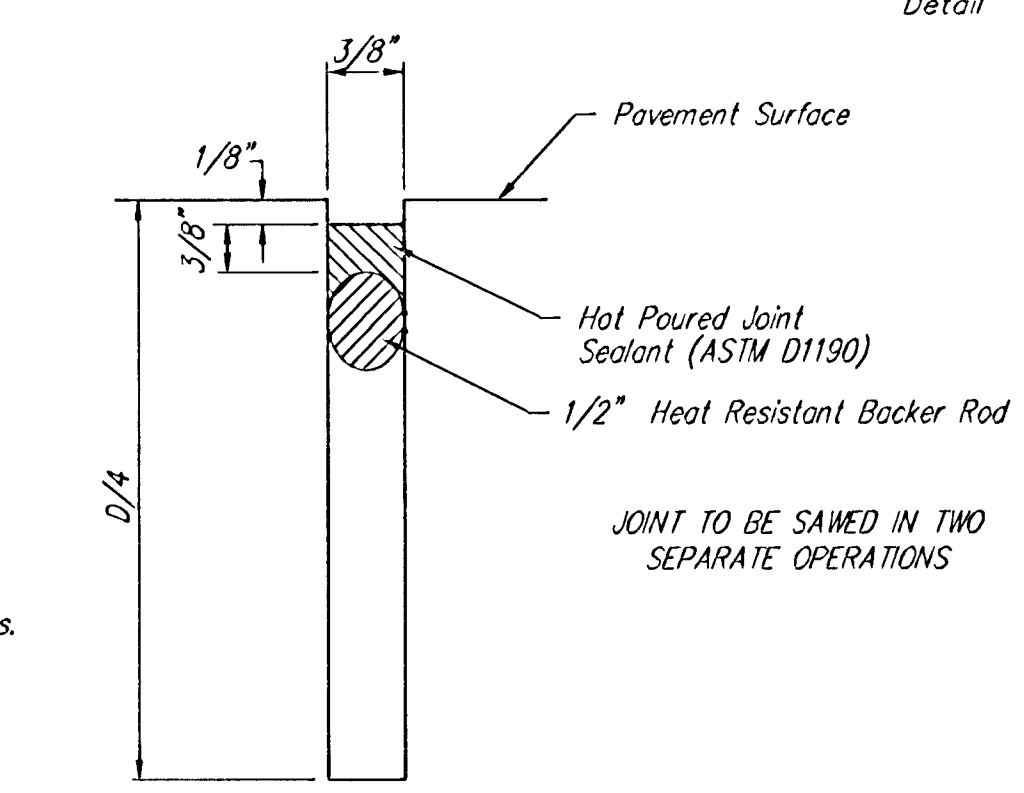
OPTIONAL LONGITUDINAL JOINT DETAIL (L.J.) (CONSTRUCTION JOINT)



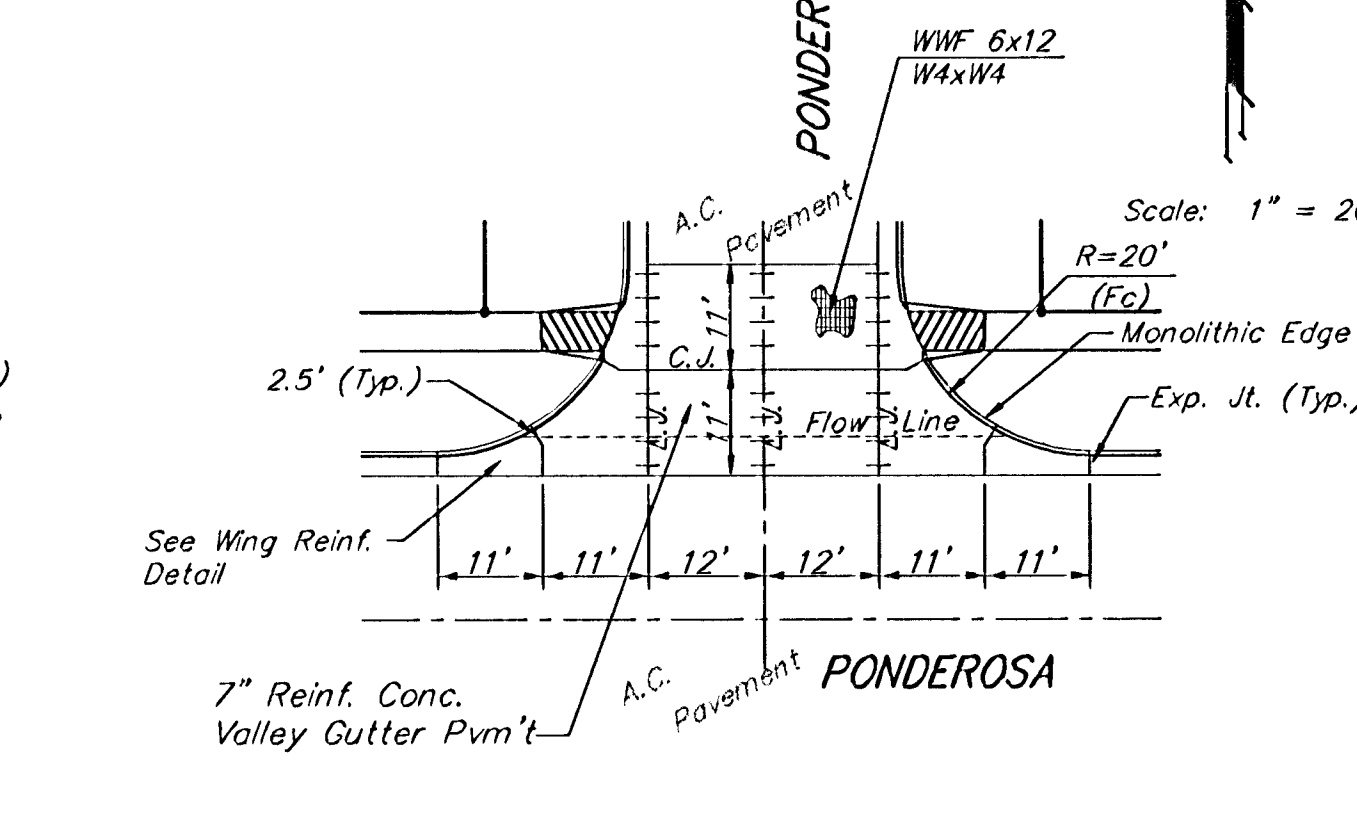
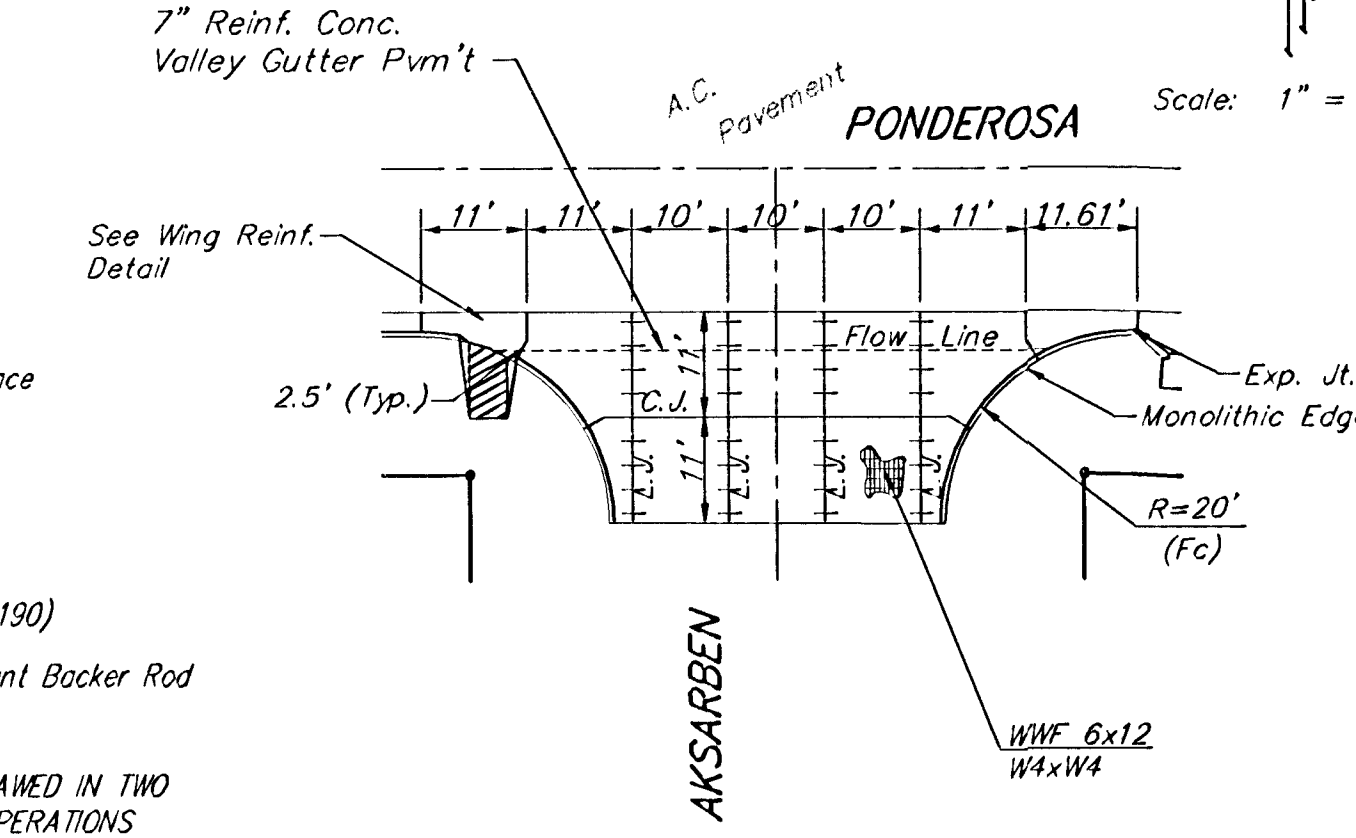
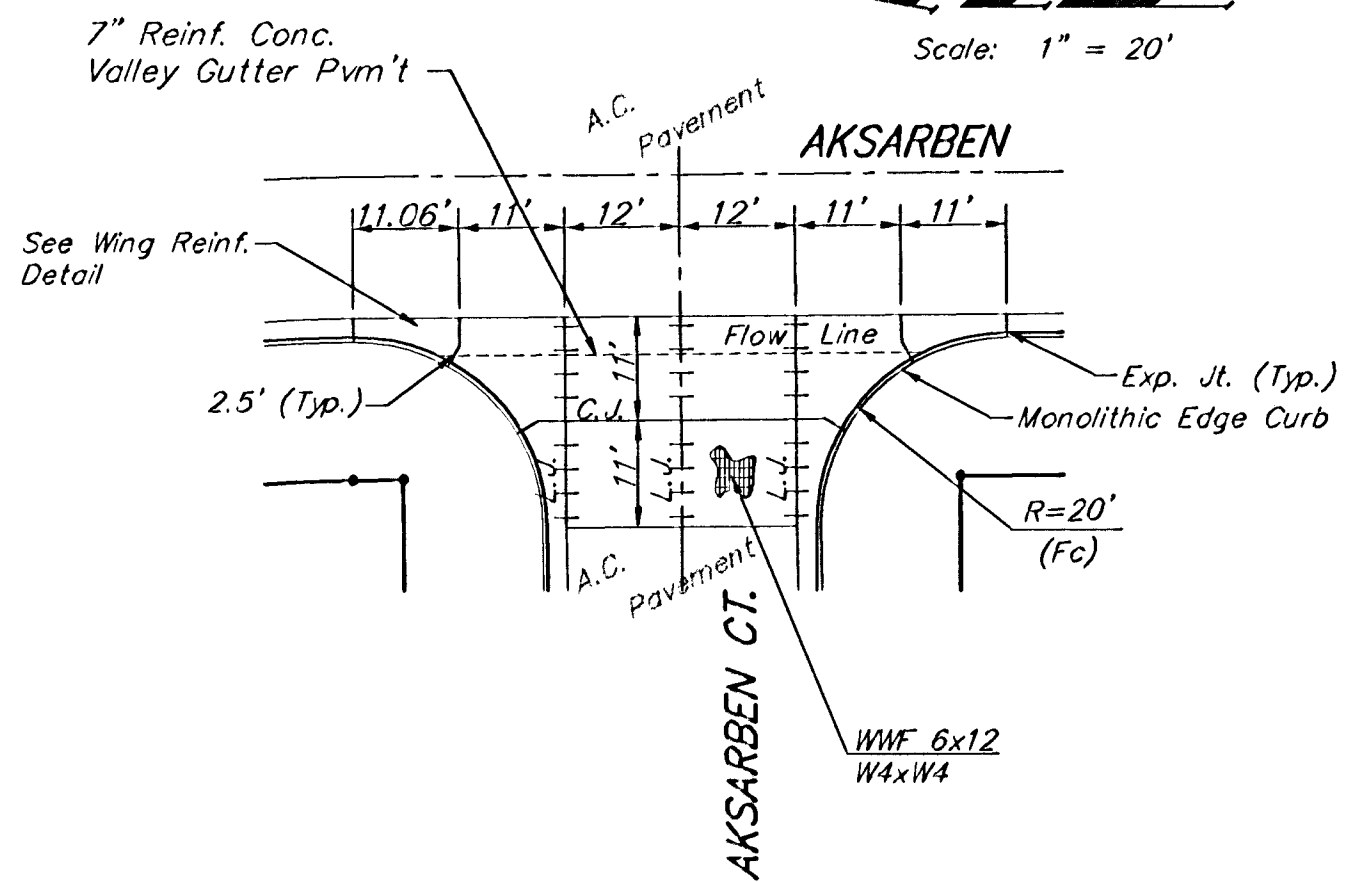
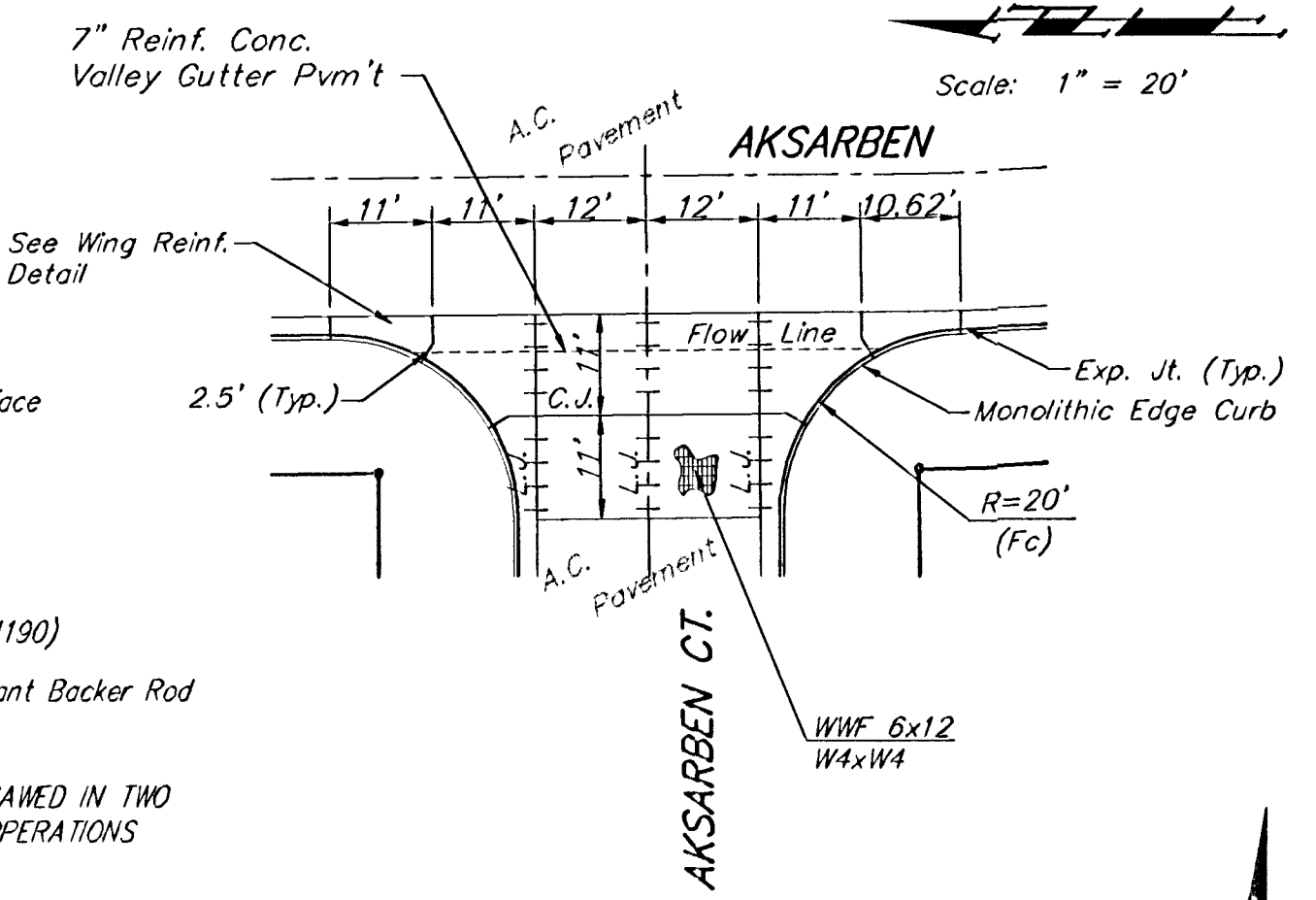
WING REINFORCING DETAIL



SAW JOINT DETAIL "A"



SAW JOINT DETAIL "B"



NOTE: 6" X 12" W4XW4 Wire Fabric Reinforcing Shall Be Placed So That The Wires With The 6" Spacing Will Run Parallel With The Longitudinal Joints.

VALLEY GUTTER DETAILS

BAUGHMAN COMPANY P.A.
ENGINEERING, SURVEYING, & PLANNING
318-262-7271 • 315 ELLIS • WICHITA, KANSAS 67211

PROJECT NUMBER
472-83889

DESIGN STAFF DRAWN STAFF APPROVED DATE 4/30/03 SCALE NONE SHEET 5 OF 32