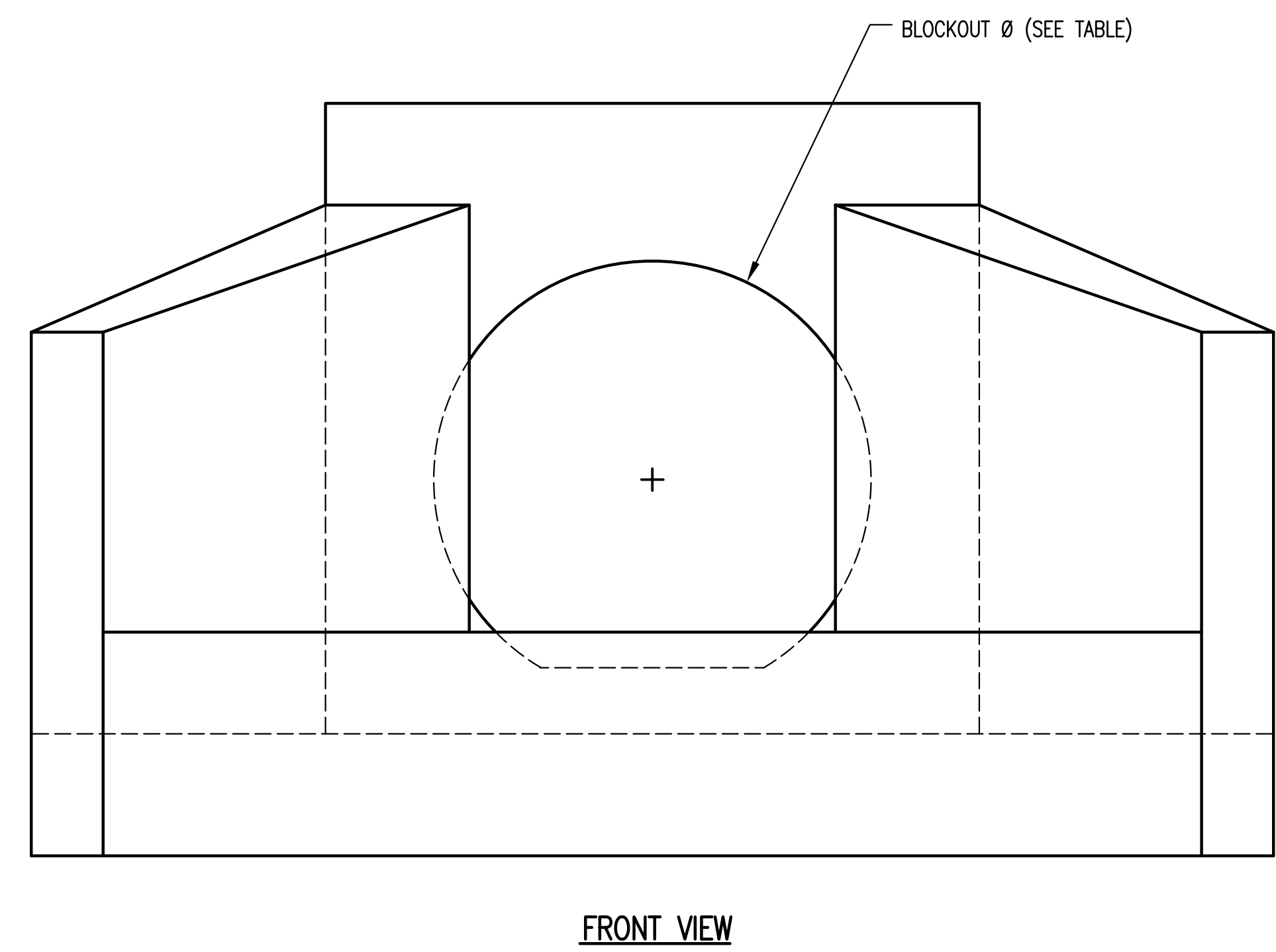
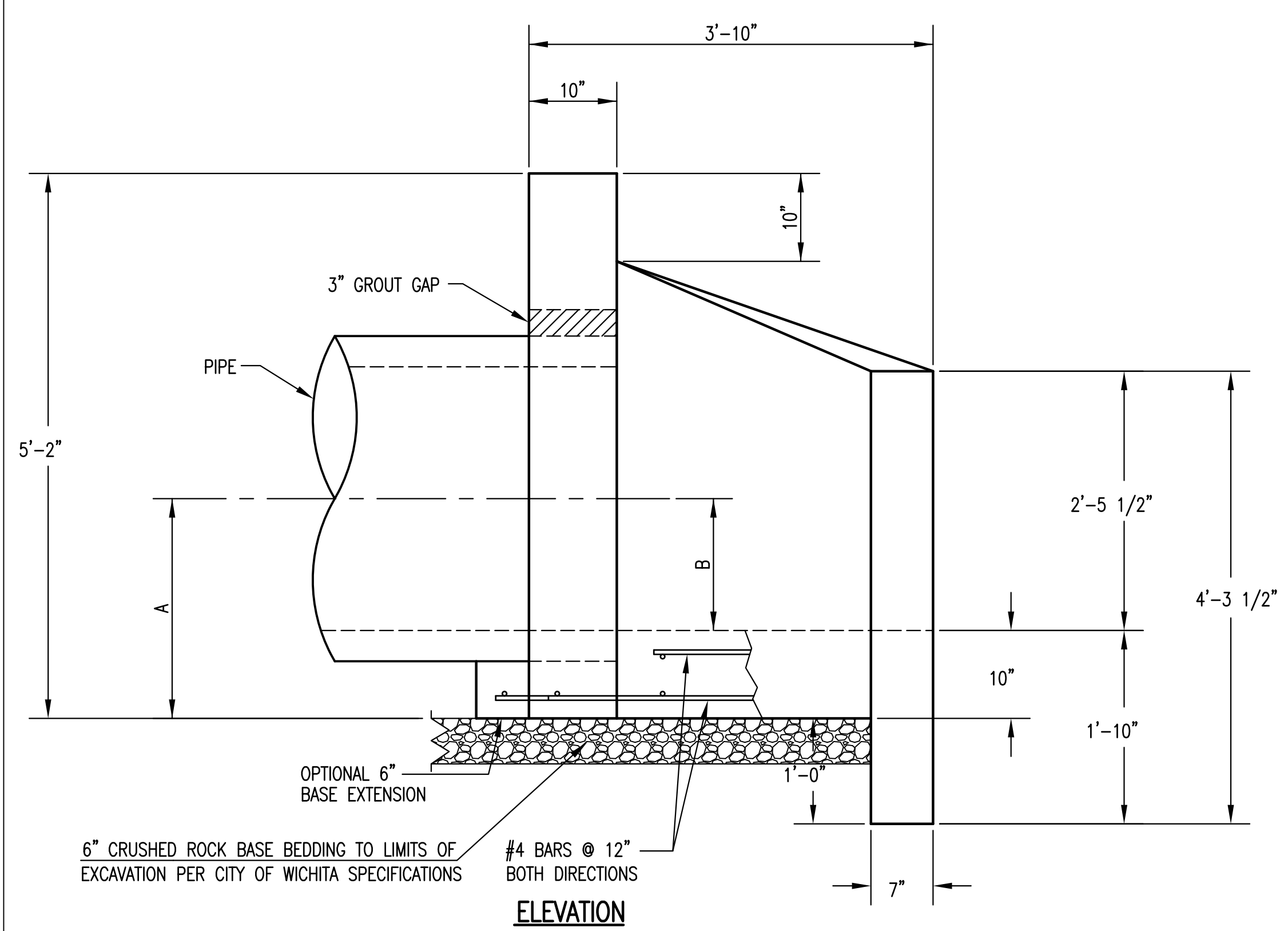


PIPE Ø	A	B	BLOCKOUT Ø
30"	2'-1"	1'-3"	3'-7"
36"	2'-4"	1'-6"	4'-2"



HEADWALLS, AS SHOWN, WILL NOT SUPPORT FLAP GATE.

REVISED: MARCH 2015

CITY OF WICHITA
 PUBLIC WORKS & UTILITIES
 ENGINEERING DIVISION

HEADWALL DETAILS FOR 30" AND 36" PIPE
 CITY ENGINEER
GARY JANZEN, P.E.
 PROJECT NUMBER OCA NUMBER DATE
 CITY ENGINEER'S OFFICE SHEET
 CITY HALL - SEVENTH FLOOR
 455 NORTH MAIN STREET
 WICHITA, KANSAS 67202-1620
 (316) 268-4501
28 of 38