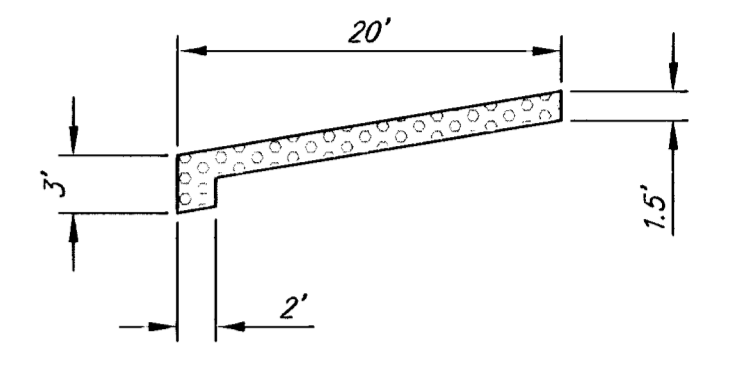
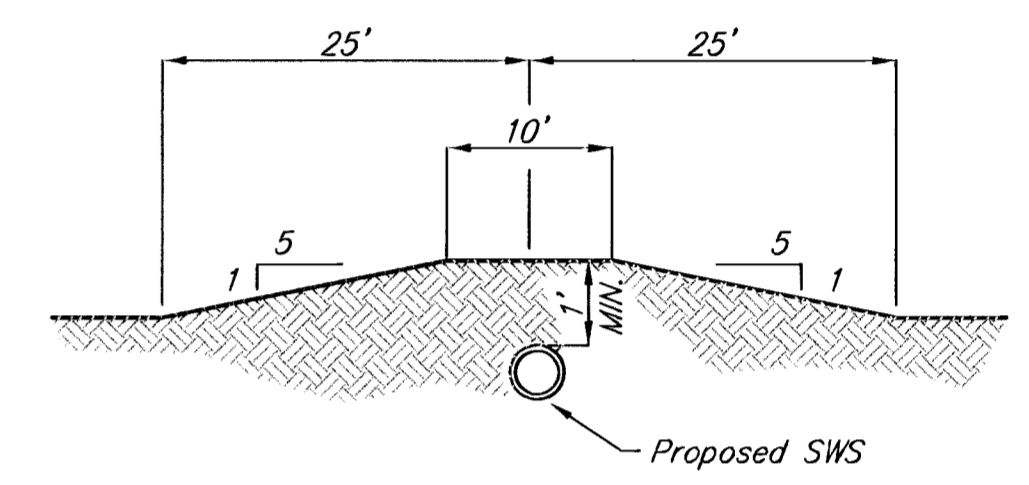




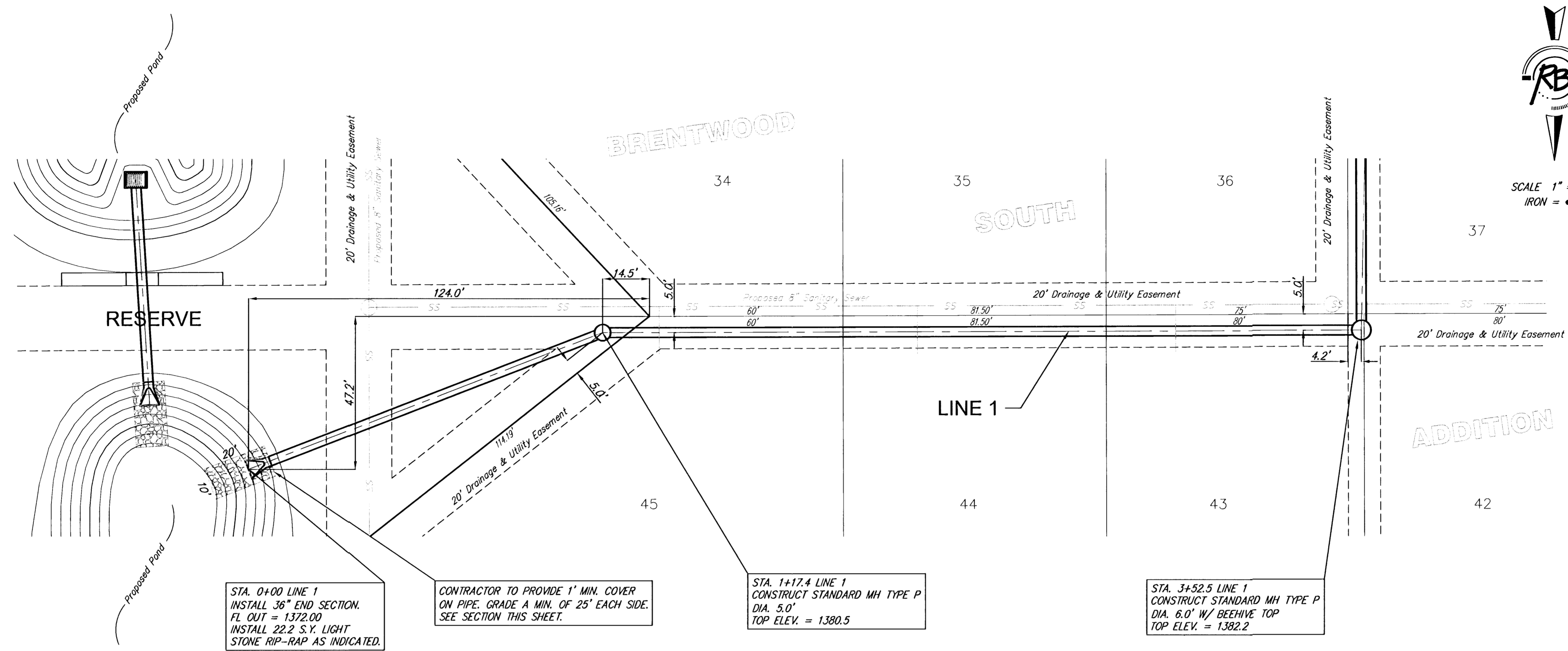
SCALE 1" = 20'
IRON = ●



LIGHT STONE RIP-RAP DETAIL



OUTLET PIPE SECTION

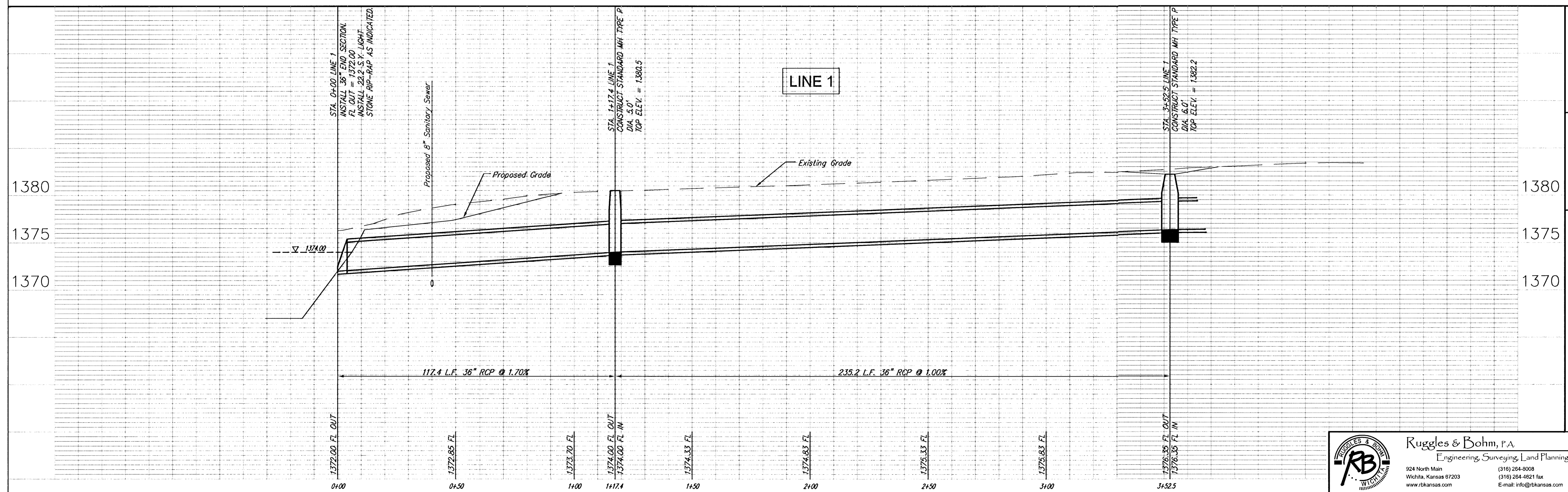


STA. 0+00 LINE 1
INSTALL 36" END SECTION.
FL OUT = 1372.00
INSTALL 22.2 S.Y. LIGHT
STONE RIP-RAP AS INDICATED.

CONTRACTOR TO PROVIDE 1' MIN. COVER
ON PIPE. GRADE A MIN. OF 25' EACH SIDE.
SEE SECTION THIS SHEET.

STA. 1+17.4 LINE 1
CONSTRUCT STANDARD MH TYPE P
DIA. 5.0'
TOP ELEV. = 1380.5

STA. 3+52.5 LINE 1
CONSTRUCT STANDARD MH TYPE P
DIA. 6.0' W/ BEEHIVE TOP
TOP ELEV. = 1382.2



STA. 0+00 LINE 1
INSTALL 36" END SECTION.
FL OUT = 1372.00
INSTALL 22.2 S.Y. LIGHT
STONE RIP-RAP AS INDICATED.

STA. 1+17.4 LINE 1
CONSTRUCT STANDARD MH TYPE P
DIA. 5.0'
TOP ELEV. = 1380.5

STA. 3+52.5 LINE 1
CONSTRUCT STANDARD MH TYPE P
DIA. 6.0'
TOP ELEV. = 1382.2

DESIGN	RA	DATE	REVIEW
KWL	UTILITY	June 23, 2003	

PROJECT NUMBER	472-83445
DRAWING FILE	storm sewer [sew 1]

Storm Sewer Improvements
SWS Line 1
WICHITA, KANSAS

Ruggles & Bohm, P.A.
Engineering, Surveying, Land Planning
924 North Main
Wichita, Kansas 67203
www.rtkansas.com
(316) 264-8008
(316) 264-4621 fax
E-mail: info@rtkansas.com