

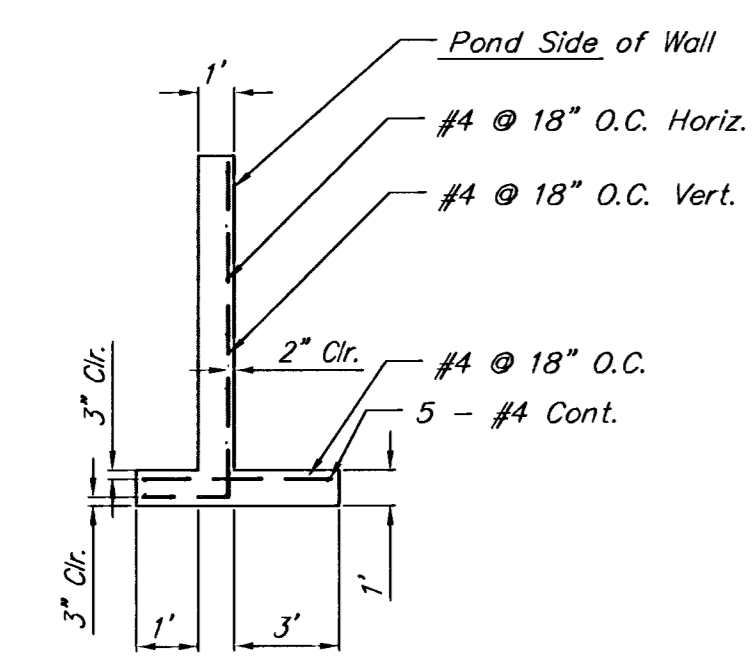
INSTALL 160 S.Y. MACCAFERRI RENO MATTRESS
OR APPROVED EQUAL. L = 9' W = 6' H = 9"

CONSTRUCT WEIR WALL,
SEE DETAILS THIS SHEET

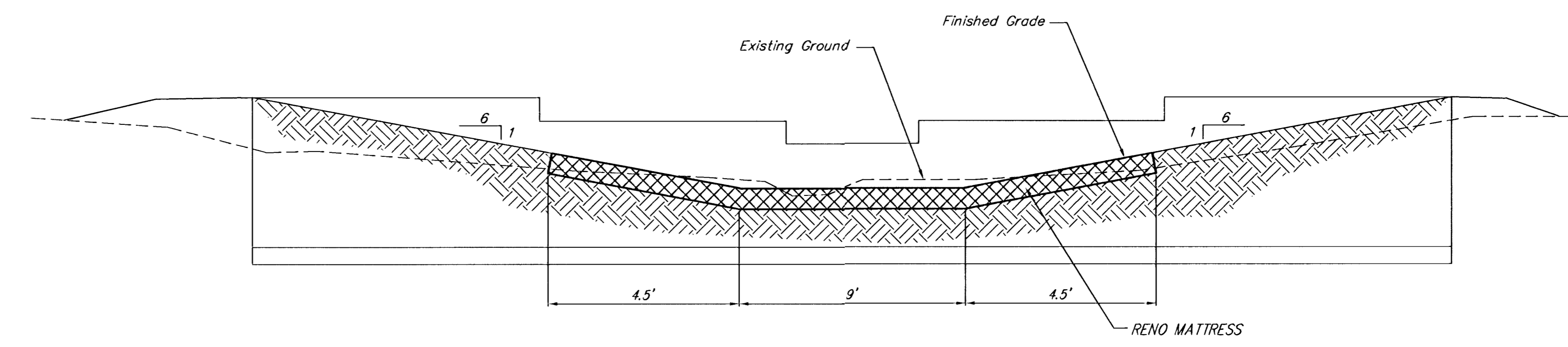
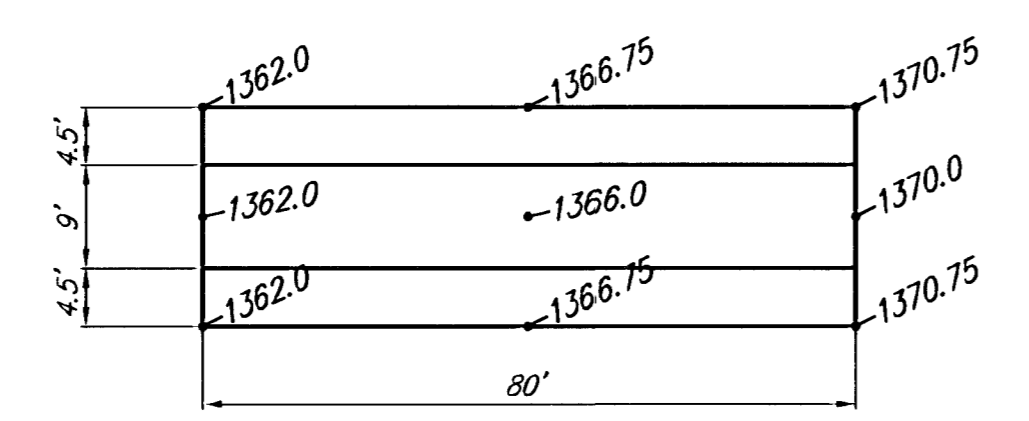
DETENTION POND #1 DATA
Weir Top Elev. = 1376.0
Pond Bottom Elev. = 1368.0
100 Year Water Surface = 1375.2
Static Pool = 1374.0
10:1 Side Slopes Above Static Pool
3:1 Side Slopes Below Static Pool

DETENTION POND #2 DATA
Outlet Structure Elev. = 1380.0
Pond Bottom Elev. = 1374.0
100 Year Water Surface = 1381.0
Static Pool = 1380.0
10:1 Side Slopes Above Static Pool
3:1 Side Slopes Below Static Pool

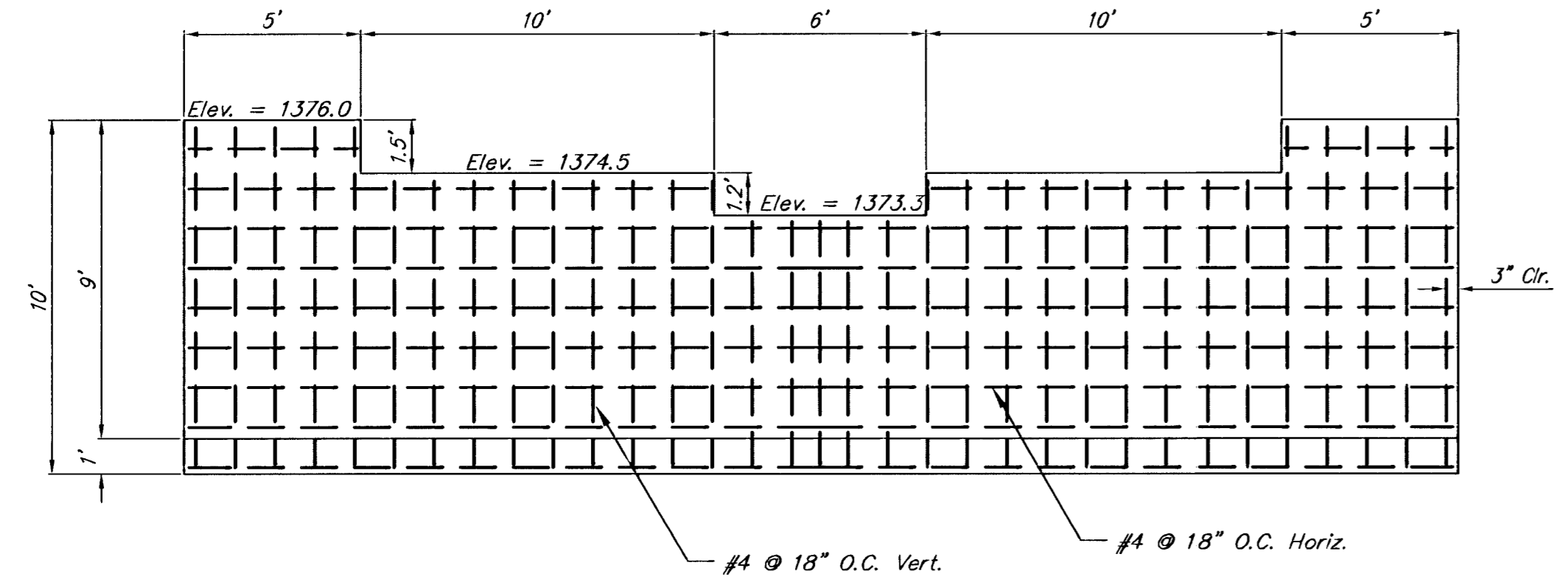
NOTE: THE POND BOTTOM AND SIDES ARE TO BE SCARIFIED A MINIMUM OF 8 INCHES, MOISTURE CONDITIONED AND RECOMPACTED TO A MINIMUM OF 95 PERCENT OF STANDARD PROCTOR DENSITY (ASTM D-698) FROM MINUS 3 TO PLUS 3 PERCENT OF OPTIMUM MOISTURE CONTENT. ADDITIONALLY, ALL GYPSUM/CALICHE SEAMS, SANDY CLAY AND CLAY SHALE ENCOUNTERED SHOULD BE OVER-EXCAVATED A MINIMUM OF 1 FOOT AND REPLACED WITH CLAY.



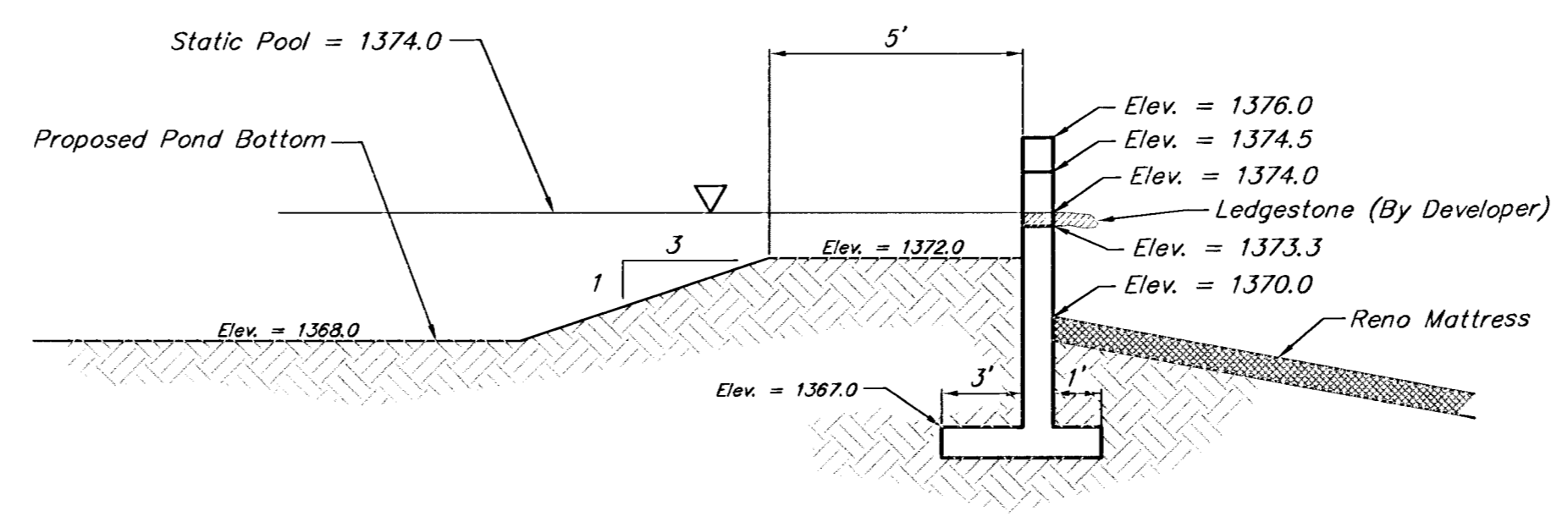
SIDE VIEW



POND #1 WEIR WALL GRADING DETAIL
N.T.S.



POND #1 WEIR WALL DETAIL



SIDE VIEW GRADING DETAIL

 BRENTWOOD SOUTH ADDITION POND PLAN and WEIR WALL DETAILS WICHITA, KANSAS		DESIGN	KWL	SHEET
		DRAWN	RA	
Ruggles & Bohm, P.A. Engineering, Surveying, Land Planning 924 North Main Wichita, Kansas 67203 www.rbkansas.com		REVIEW	RA	15 OF
		UTILITY		
DRAWING FILE	PROJECT NUMBER	DATE		
pond plan {weir wall}	472-83445	June 23, 2003	36	