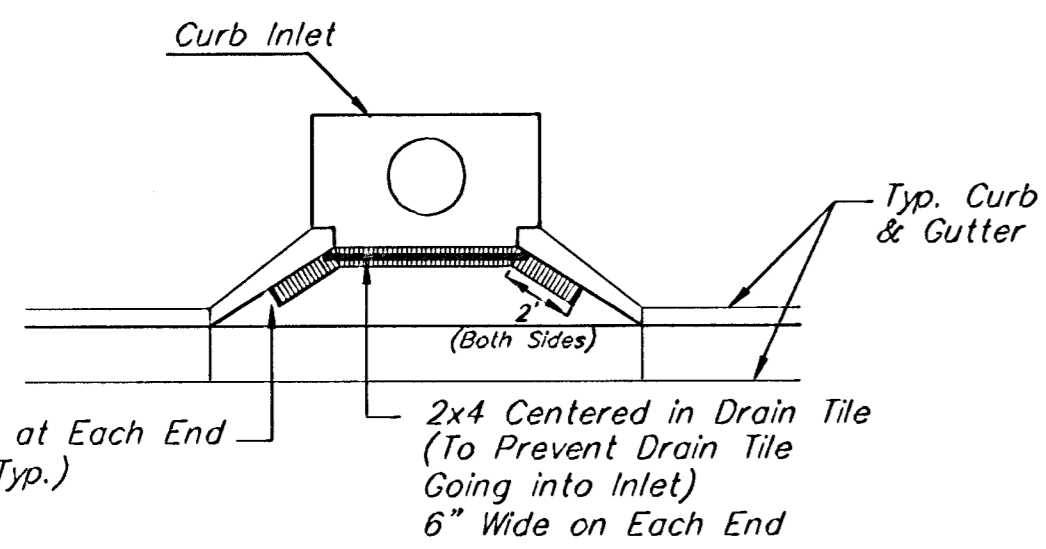
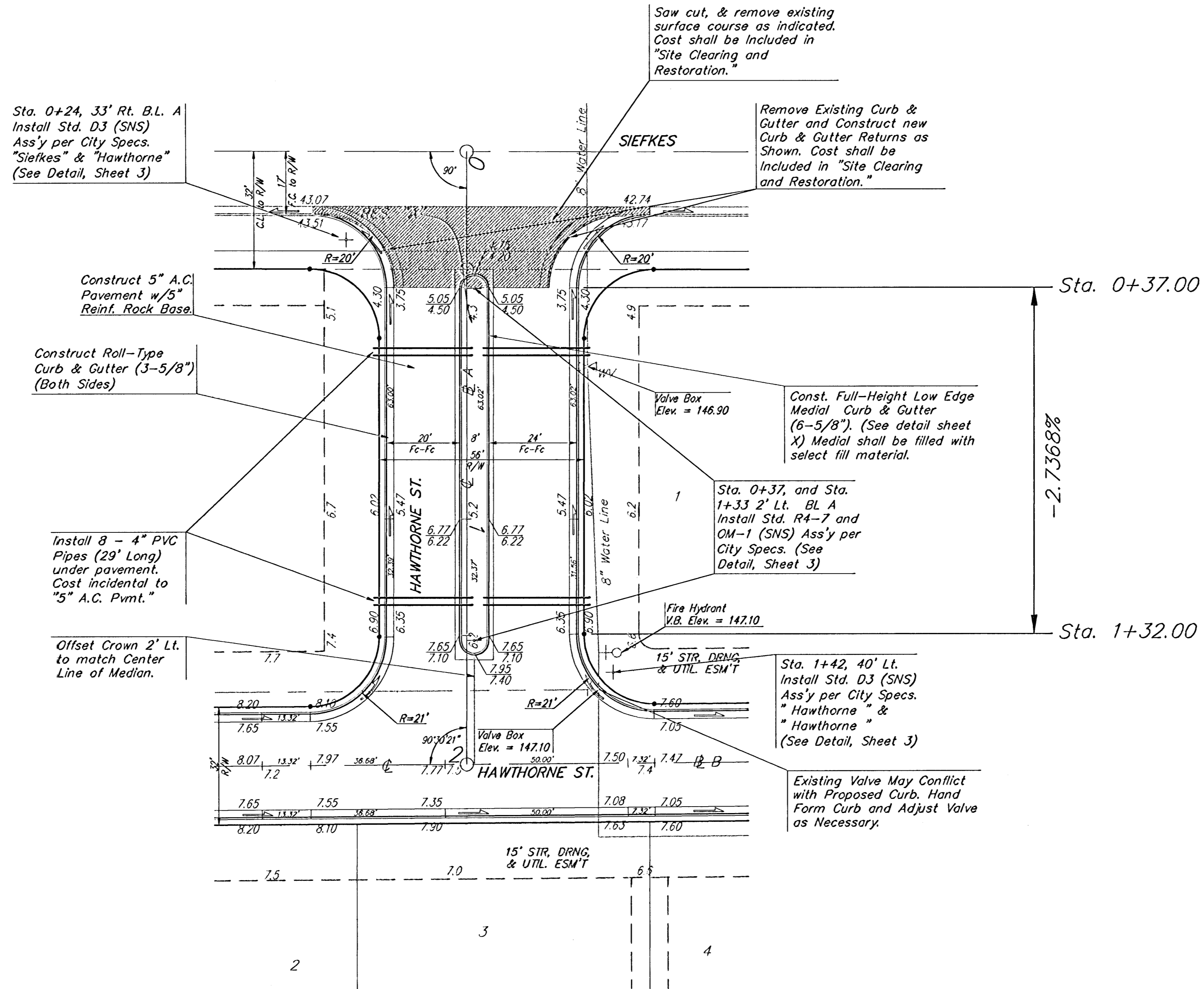
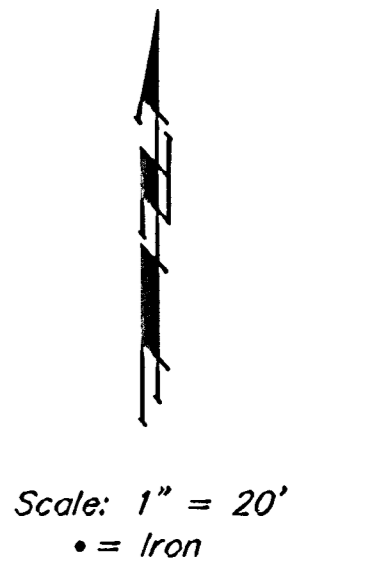


BENCHMARKS:

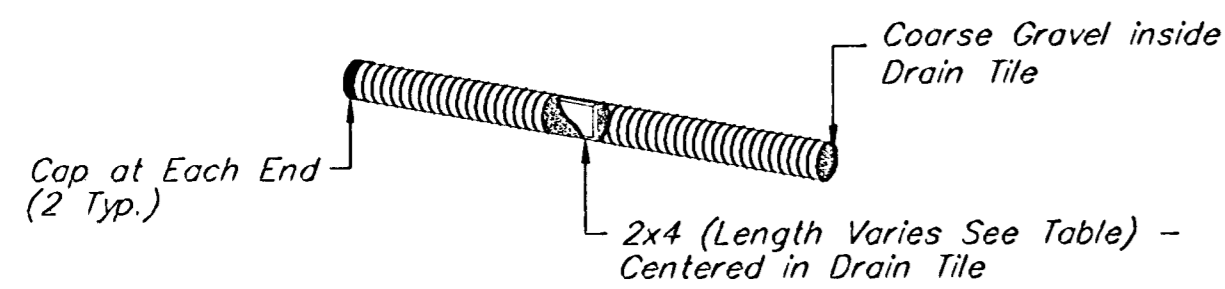
"□" Cut on Top of Curb, North Side Siefkes, NW of Center Line of Siefkes Ct., Shadybrook Meadow Addition.
Elev. = 135.19 City Datum
1322.59 MSL

"X" Cut in Sidewalk North R/W of Siefkes, 135' East of the C.L. of Hawthorne.
Elev. = 142.94 City Datum
1330.34 MSL



Note:
Place 4" perforated PVC pipe filled w/ 1/2"-1" Dia. gravel. Place pipe in front of Curb Inlet as Shown.

2x4 LENGTH	INLET TYPE	INLET OPENING
5'-6"	1-A	5'-0"
10'-6"	1-A	10'-0"
15'-6"	1-A	15'-0"



CURB INLET PROTECTION
4" Perforated Pipe w/ Gravel

Roll type curb & gutter to be constructed on the pavement on this sheet.
Top of curb elevation are given for full height curb.

Contractor shall grade 15' Street, Drainage, & Utility Easements adjacent to street right-of-way as shown on cross-sections.

Shoal Creek Addition
Hawthorne St.
CITY OF WICHITA

BAUGHMAN COMPANY P.A.
ENGINEERING, SURVEYING, & PLANNING
316-262-7271 • 319 ELLIS • WICHITA, KANSAS 67211

PROJECT NUMBER
472-83820

DESIGN: NBW | DRAWN: SMD | APPROVED: [] | DATE: 10/03 | SCALE: NOTED

SHEET **5** OF **20**