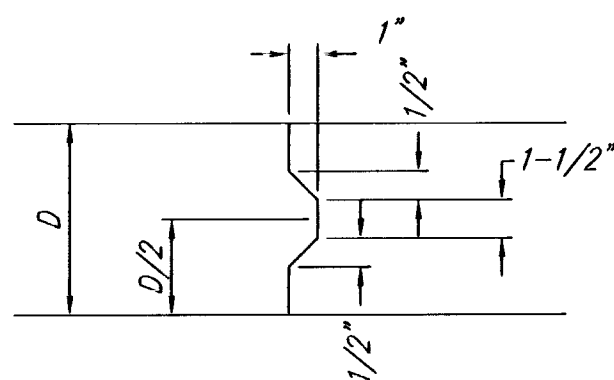
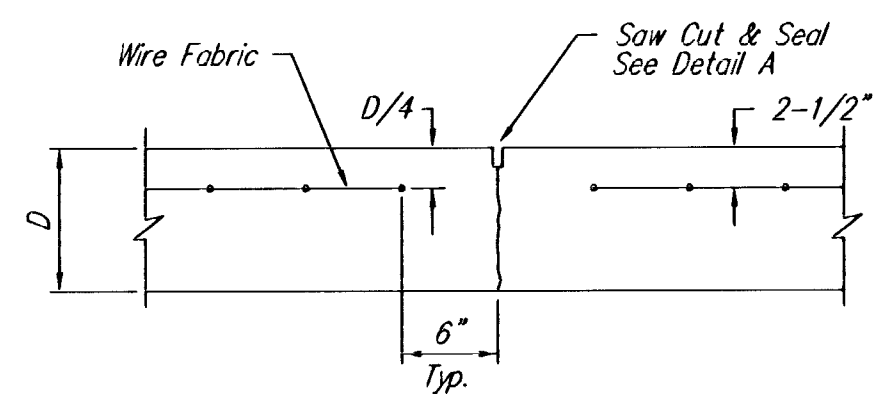


EXPANSION JOINT

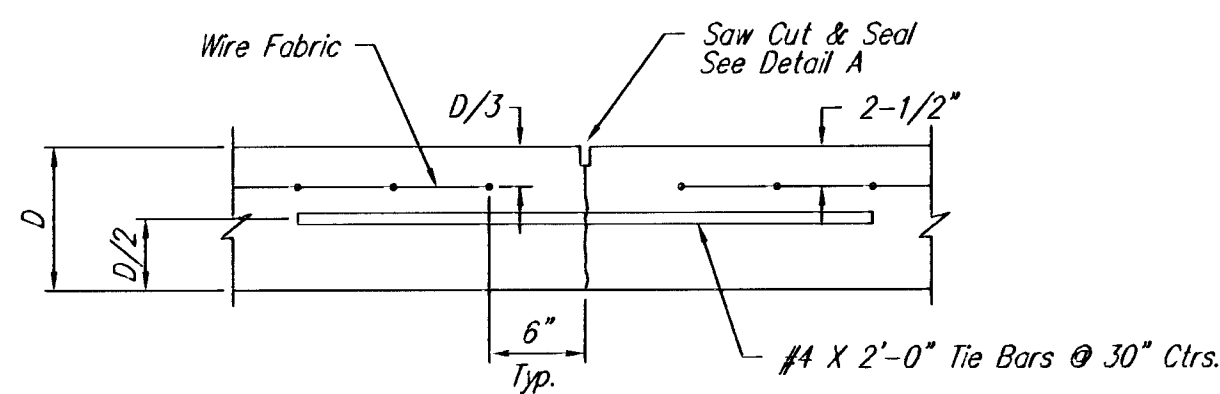
NOTE: Extra Thickness to be Subsidiary to Price of Square Yards Pavement



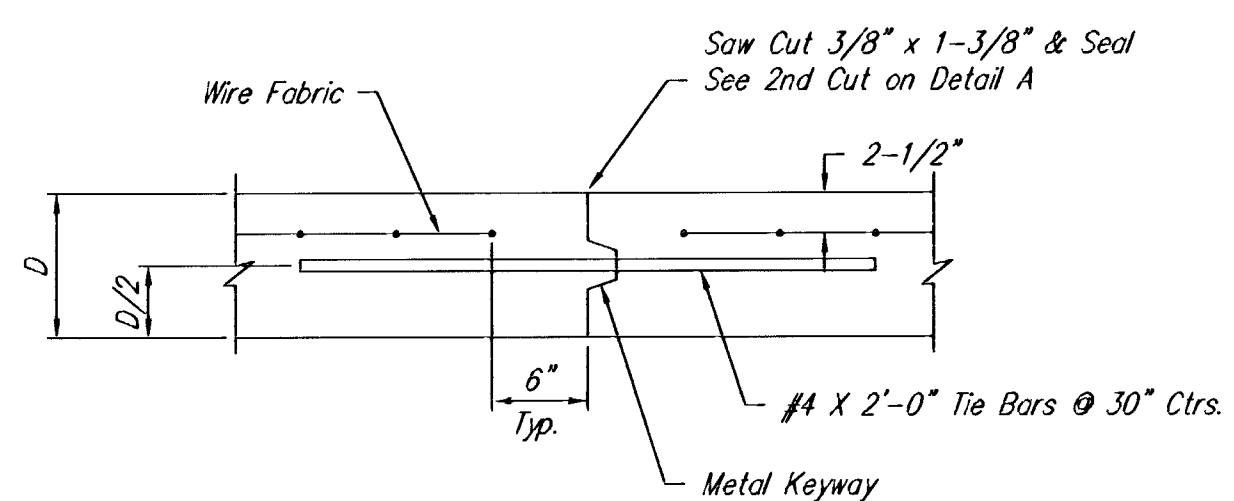
KEYWAY DETAIL



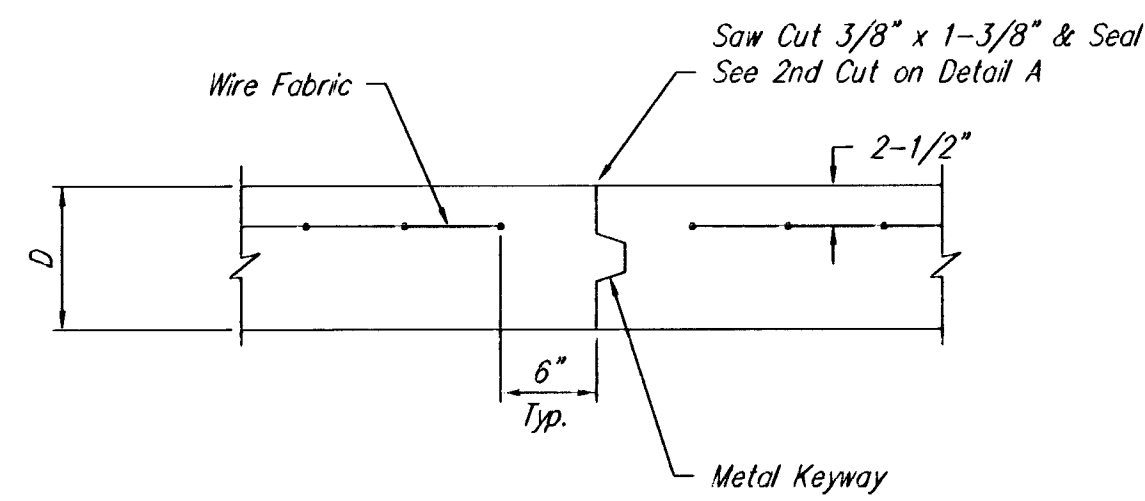
CONTRACTION JOINT DETAIL (C.J.)



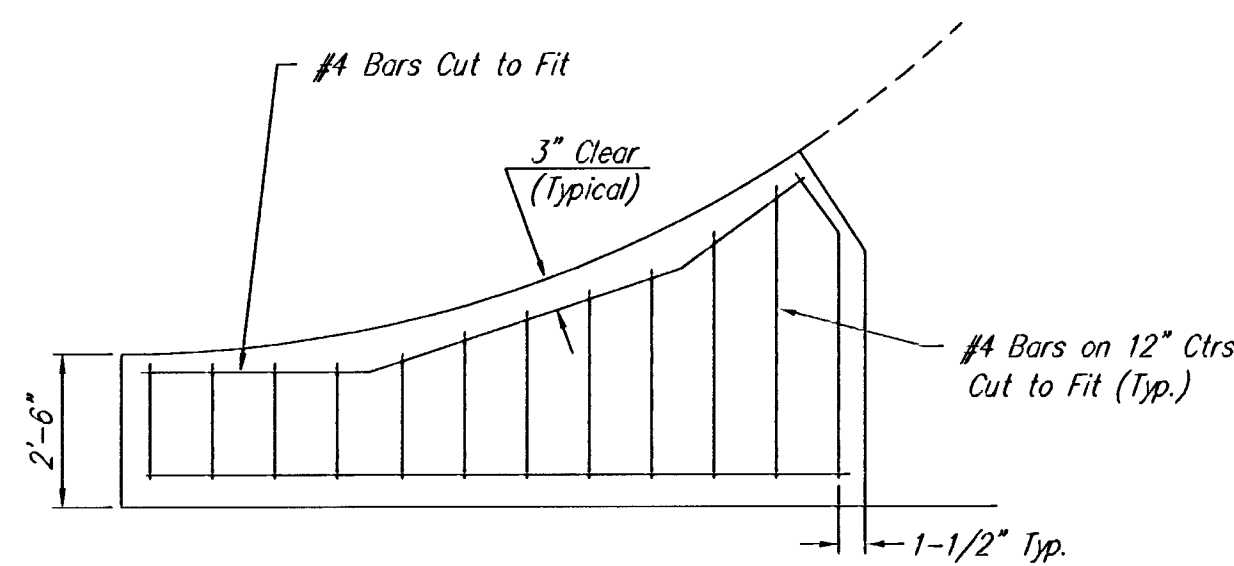
LONGITUDINAL JOINT DETAIL (L.J.)



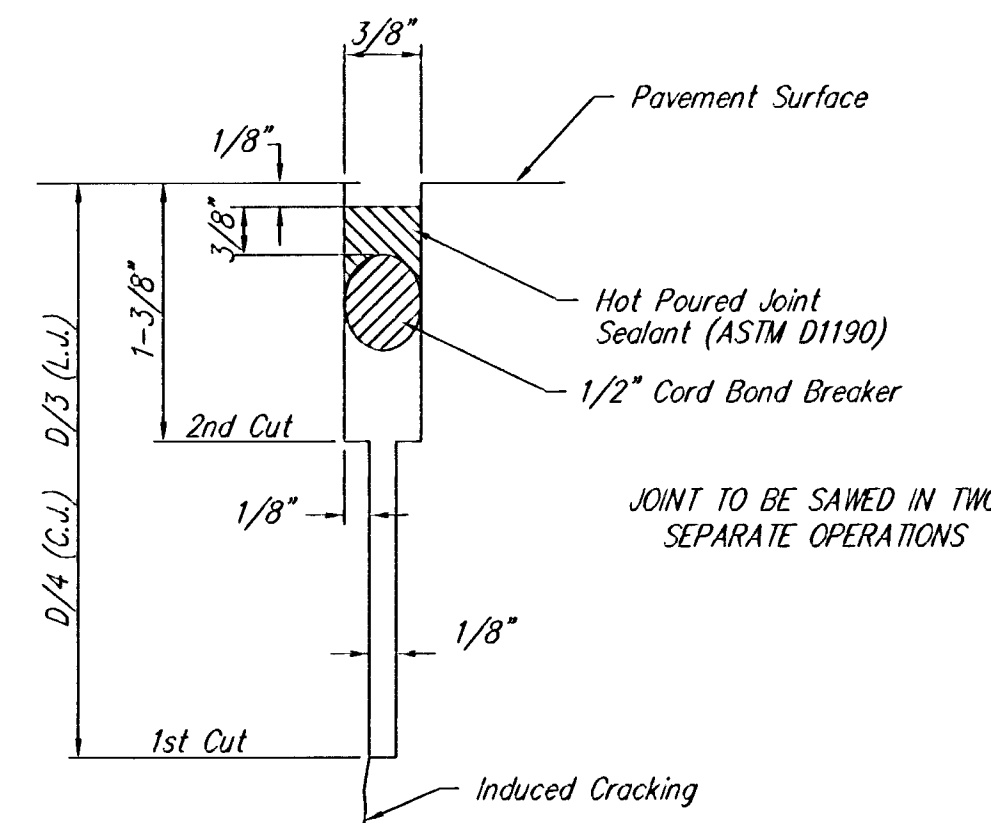
OPTIONAL LONGITUDINAL JOINT DETAIL (L.J.)



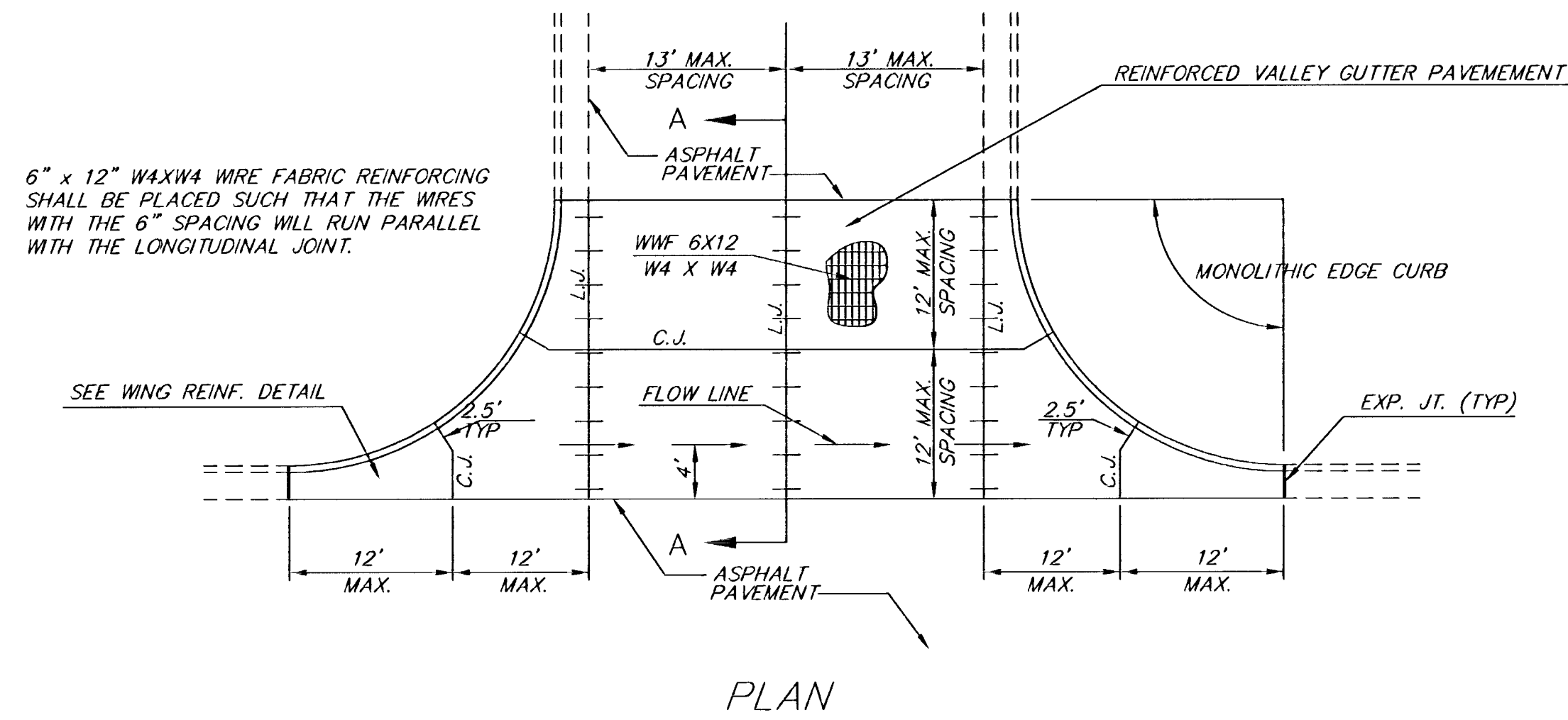
OPTIONAL CONTRACTION JOINT



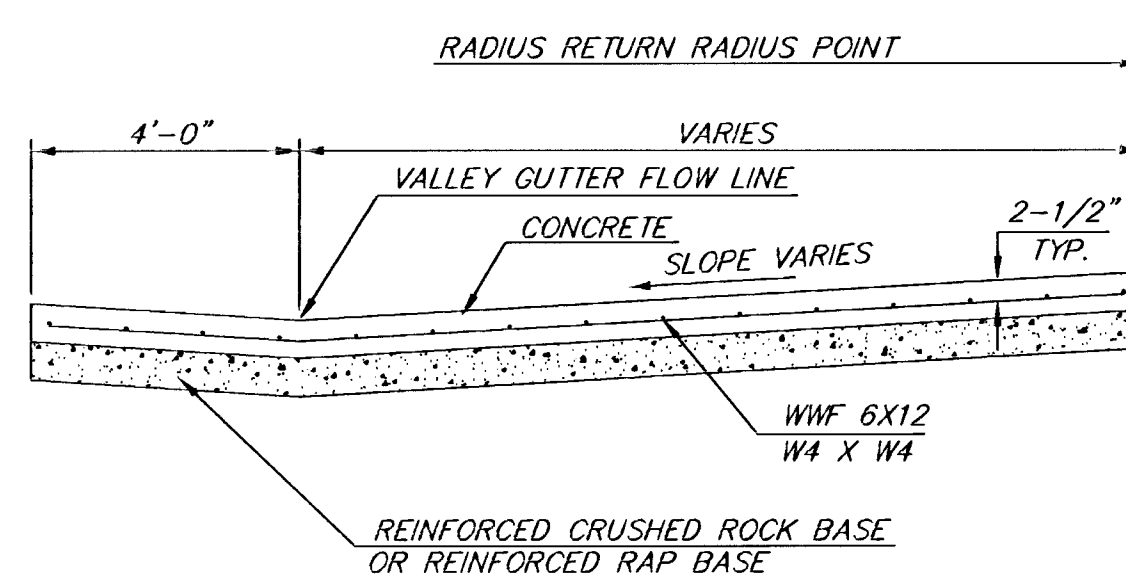
WING REINFORCING DETAIL



SAW JOINT DETAIL

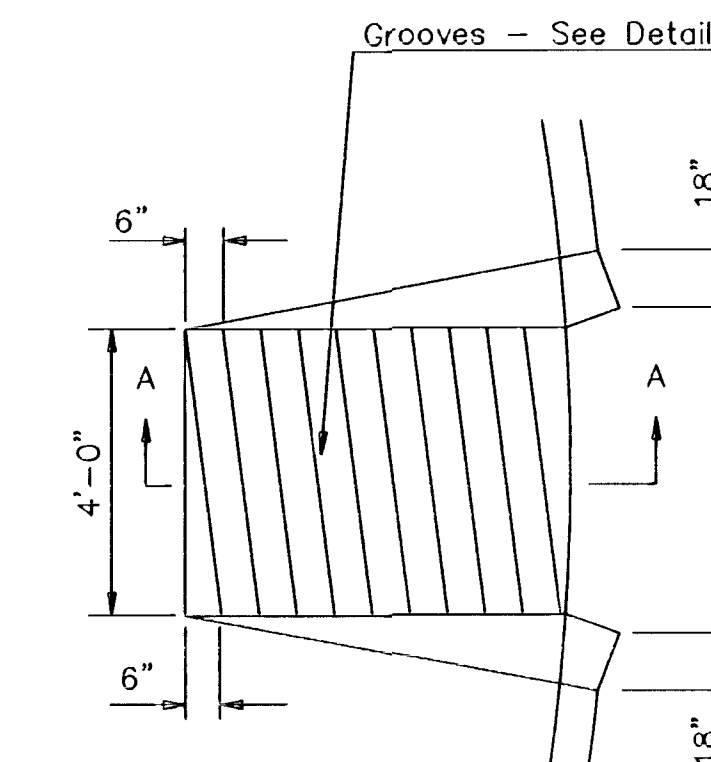


PLAN

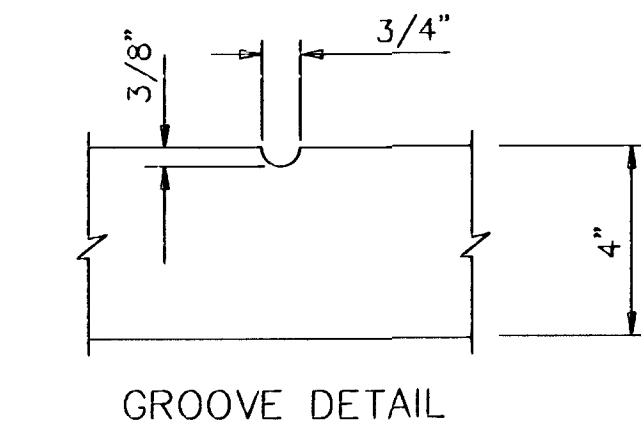


SECTION A-A

REINFORCED VALLEY GUTTER DETAIL

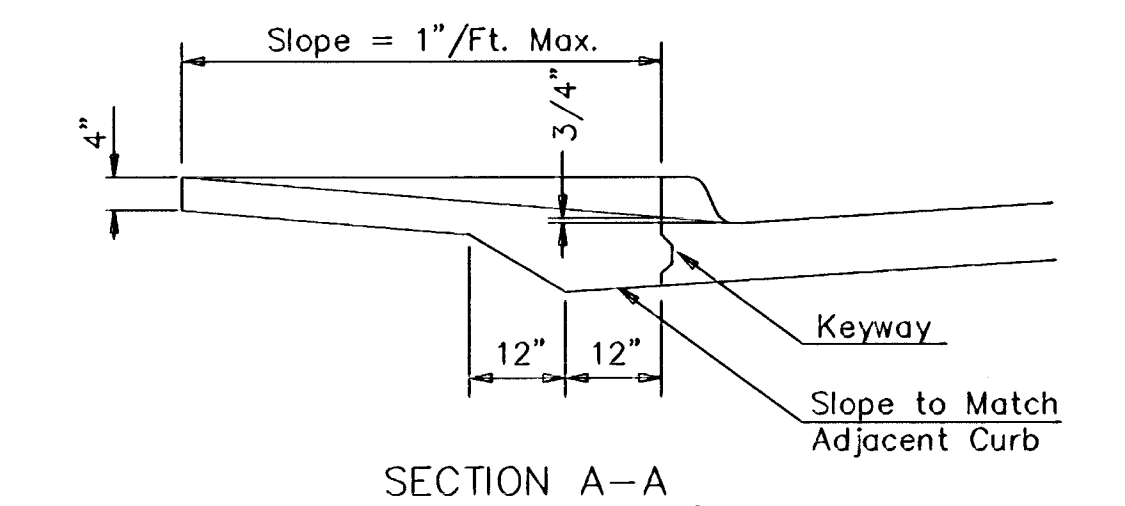


WHEELCHAIR RAMP PLAN VIEW

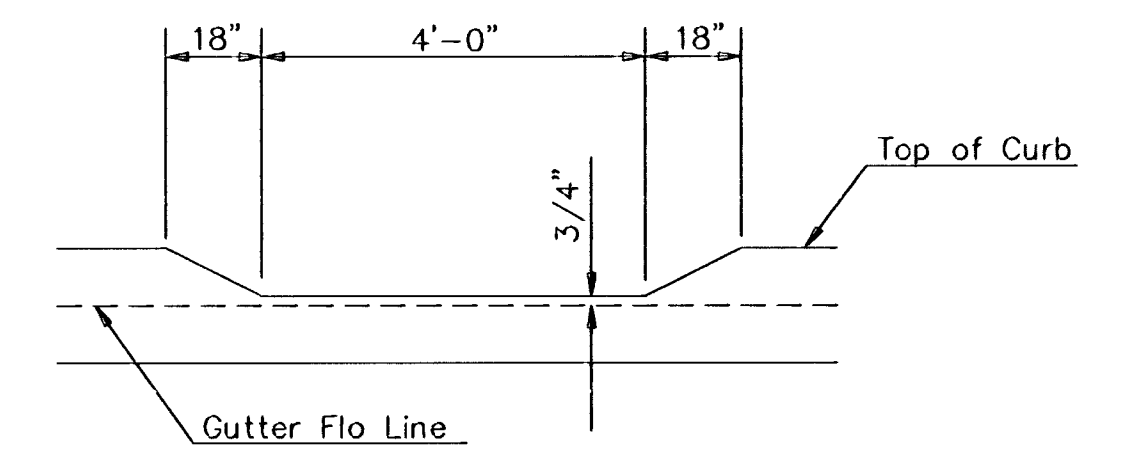


GROOVE DETAIL

WHEELCHAIR RAMP DETAIL



SECTION A-A



DEPRESSED CURB DETAIL

<p>THE CITY OF WICHITA</p> <p>CITY ENGINEER'S OFFICE CITY HALL - SEVENTH FLOOR 455 NORTH MAIN STREET WICHITA, KANSAS 67202 (316) 268-6301 (316) 268-4114 FAX</p>	VALLEY GUTTER DETAILS WHEELCHAIR RAMP DETAILS	
	Neil D. Cable, P.E., City Engineer	
	FILE NAME VALYGUT	KEM PROJ 02037
	DATE 04/03	SHEET 9 OF 21