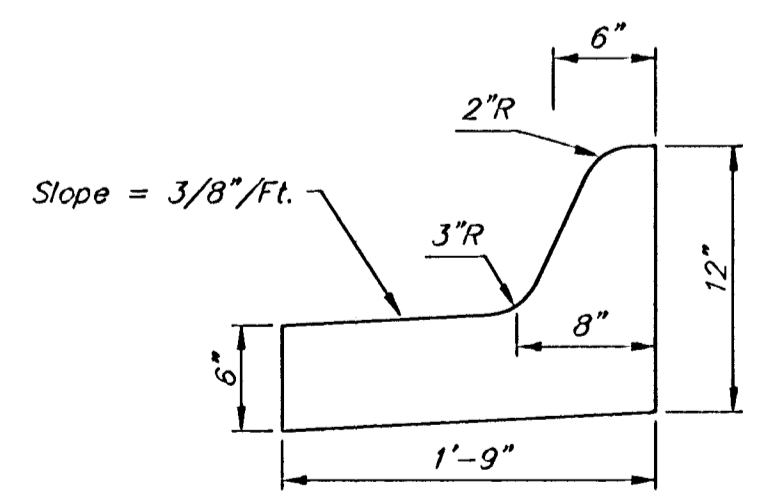


BROOKVIEW



Medial Curb Detail
(Low Edge)
Not to Scale

Note: To be paid as Median Comb C & G (6 5/8")

TYLER'S LANDING ADDITION
ENTRANCE DETAILS

BAUGHMAN COMPANY P.A.
ENGINEERING, SURVEYING, & PLANNING
316-282-7271 • 315 ELLIS • WICHITA, KANSAS 67211

PROJECT NUMBER
472-89891

DESIGN Staff	DRAWN Staff	APPROVED	DATE 6/4/03	SCALE NONE	SHEET 5 OF 33
--------------	-------------	----------	-------------	------------	---------------

Tyler's Landing Entrance