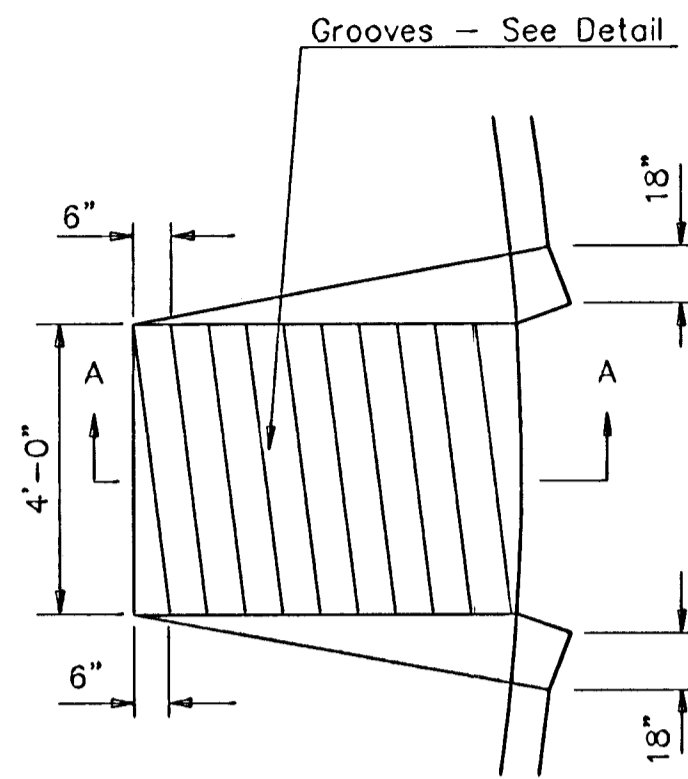
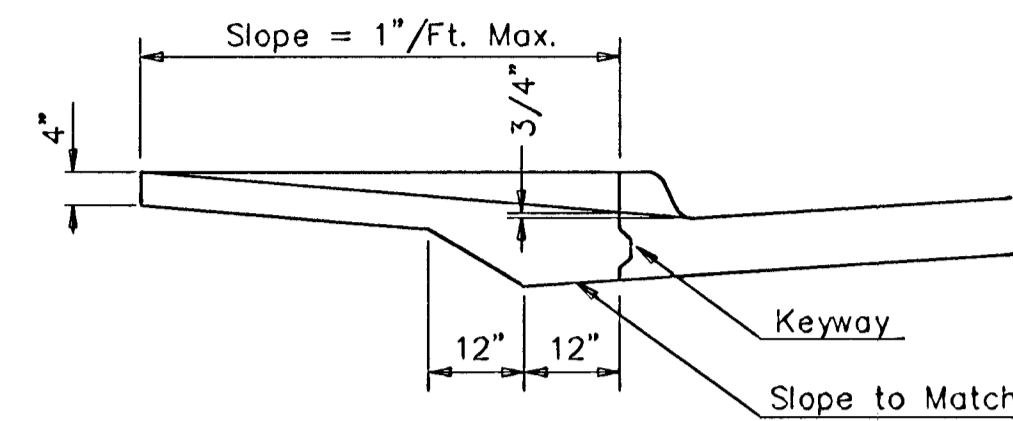


**EXPANSION JOINT**

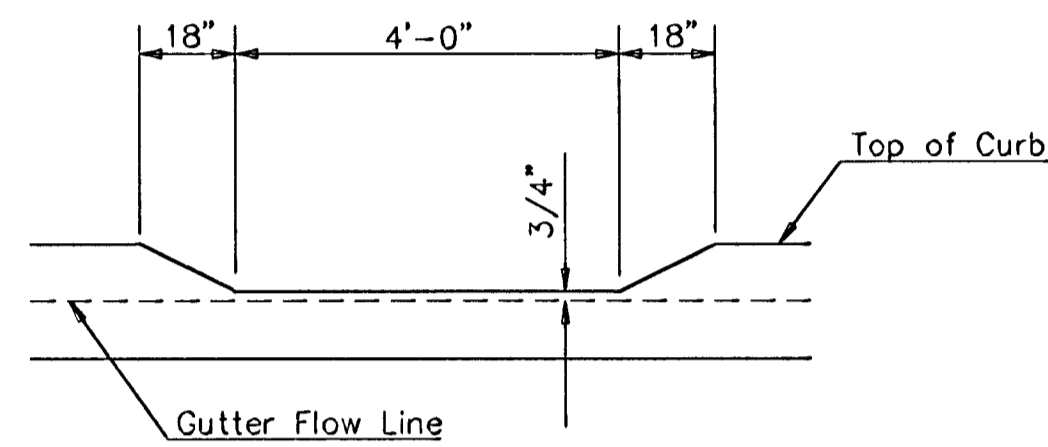
NOTE: Extra Thickness to be Subsidiary to Price of Square Yards Pavement



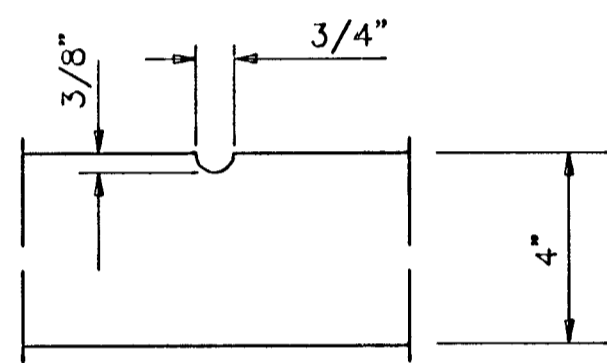
**WHEELCHAIR RAMP PLAN VIEW**



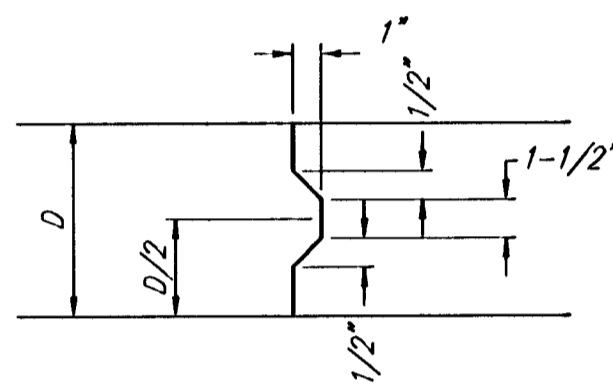
**SECTION A-A**



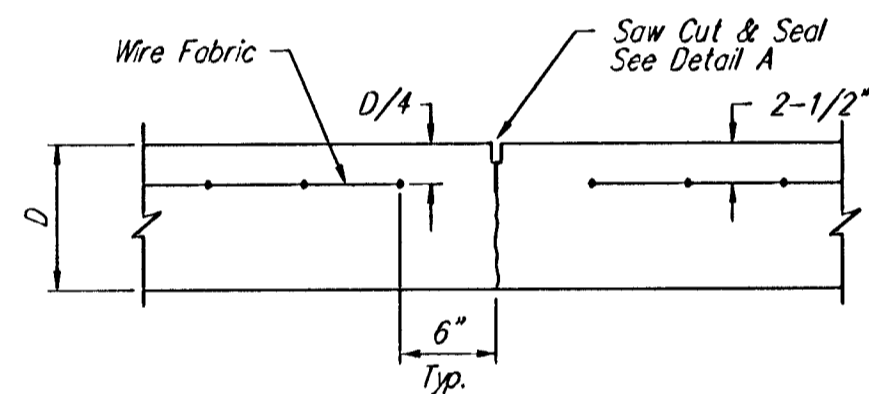
**DEPRESSED CURB DETAIL**



**GROOVE DETAIL**

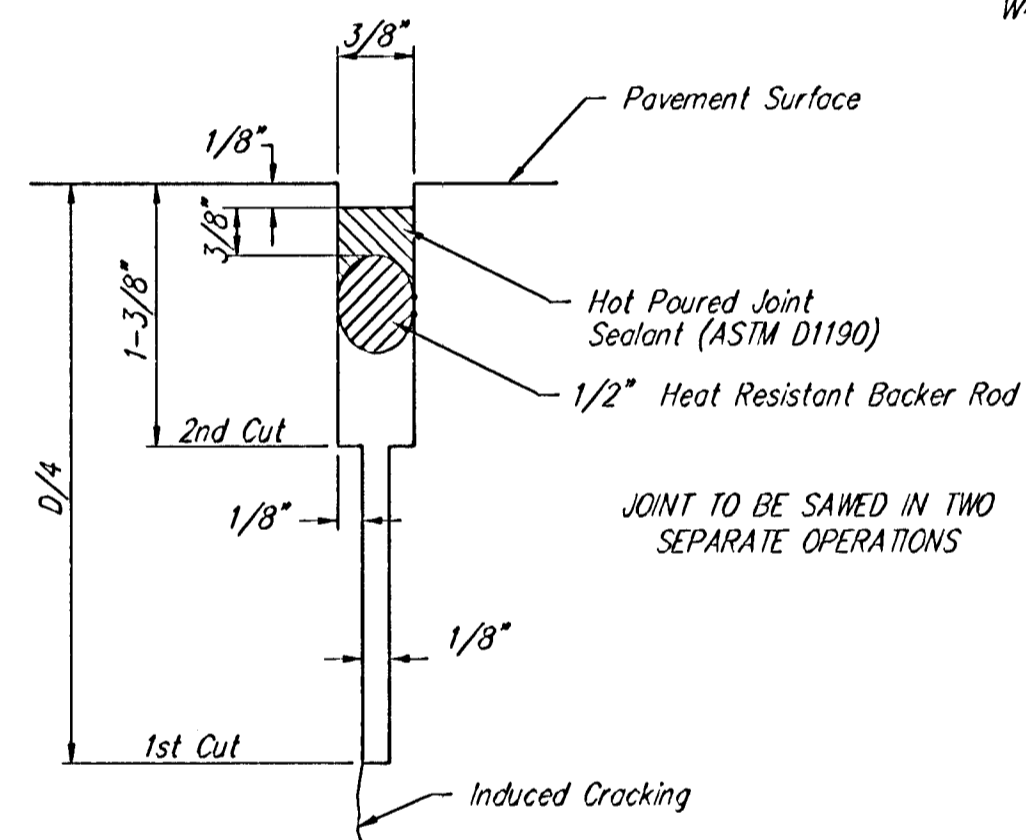


**KEYWAY DETAIL**

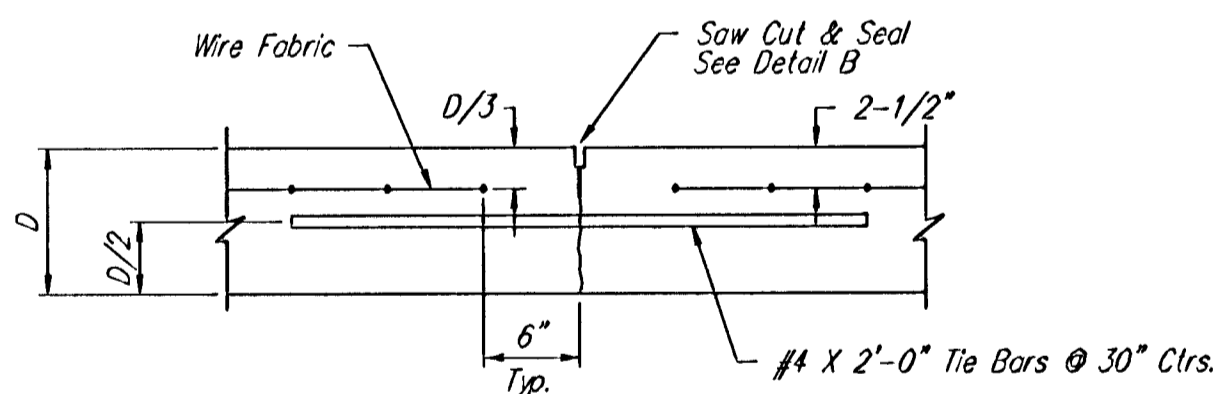


**CONTRACTION JOINT DETAIL (C.J.)**

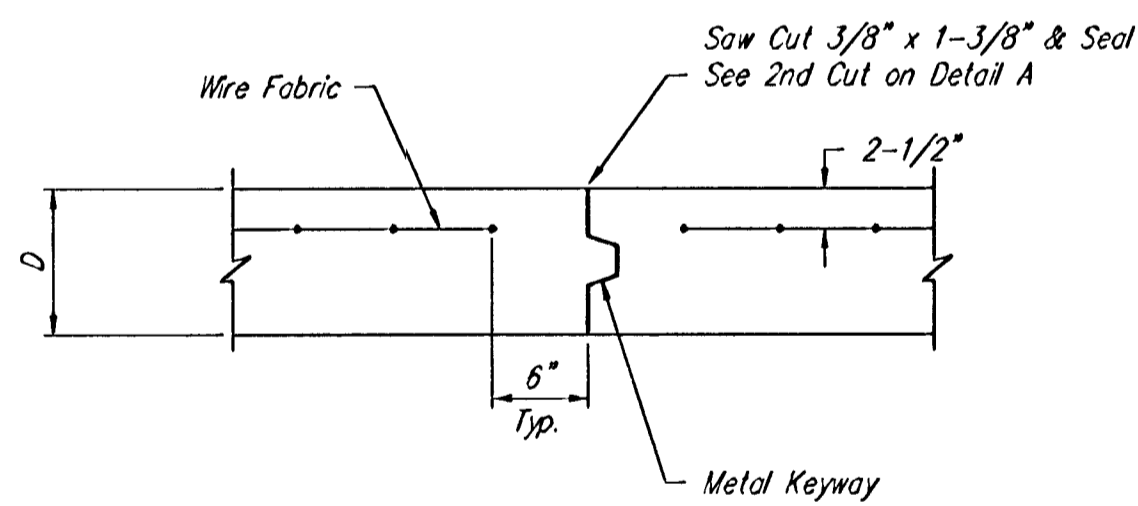
**WHEELCHAIR RAMP DETAIL**



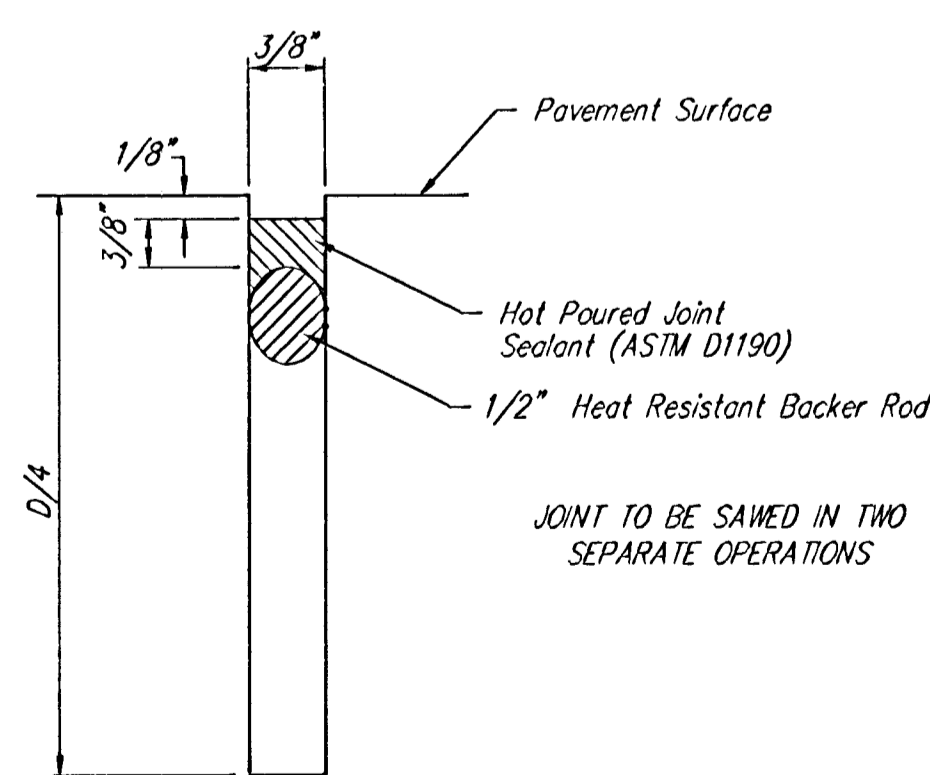
**SAW JOINT DETAIL "A"**



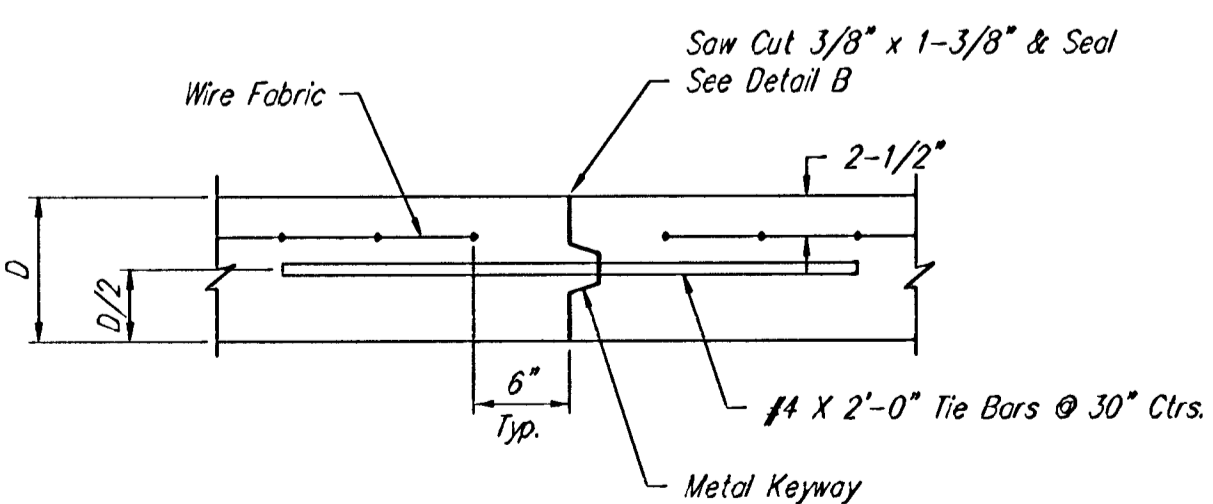
**LONGITUDINAL JOINT DETAIL (L.J.)**



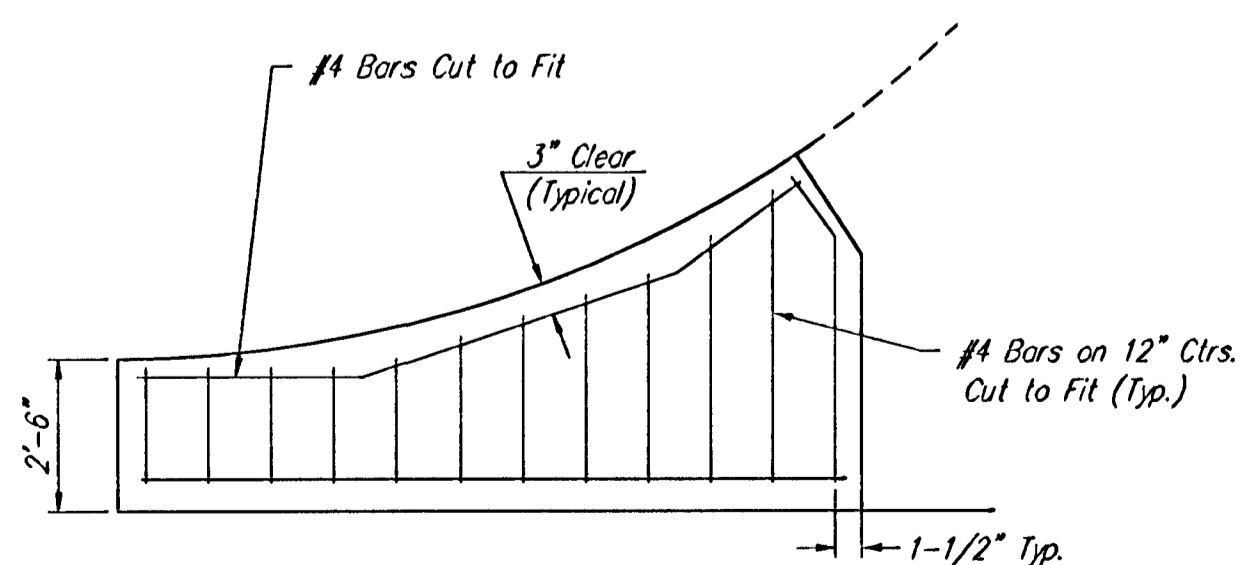
**OPTIONAL CONTRACTION JOINT (CONSTRUCTION JOINT)**



**SAW JOINT DETAIL "B"**

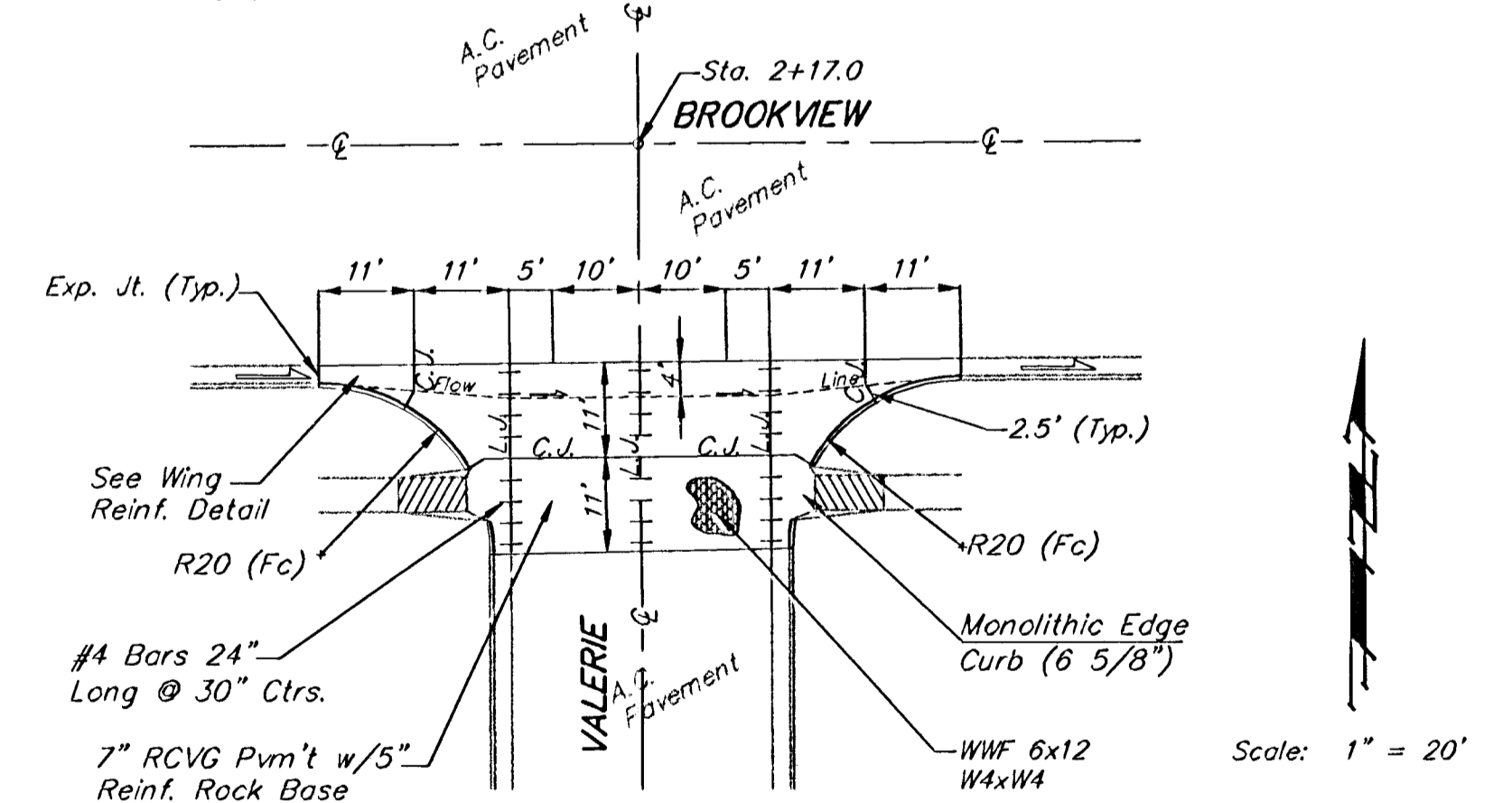
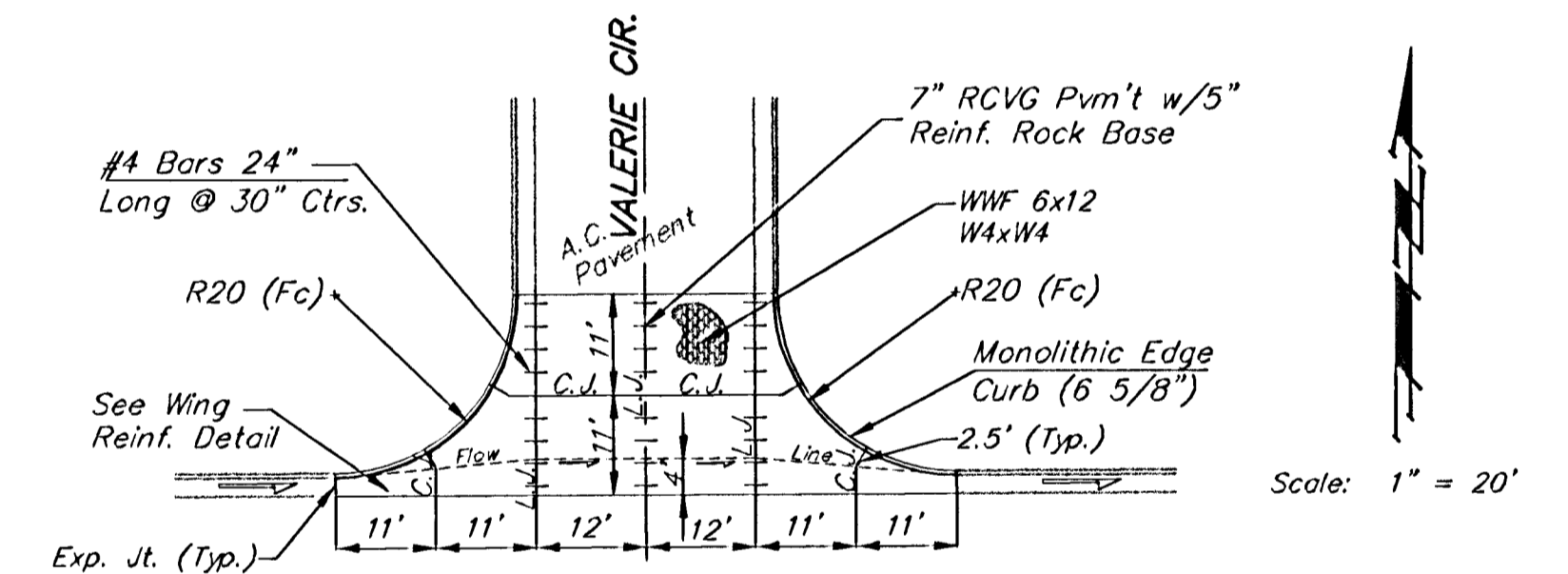
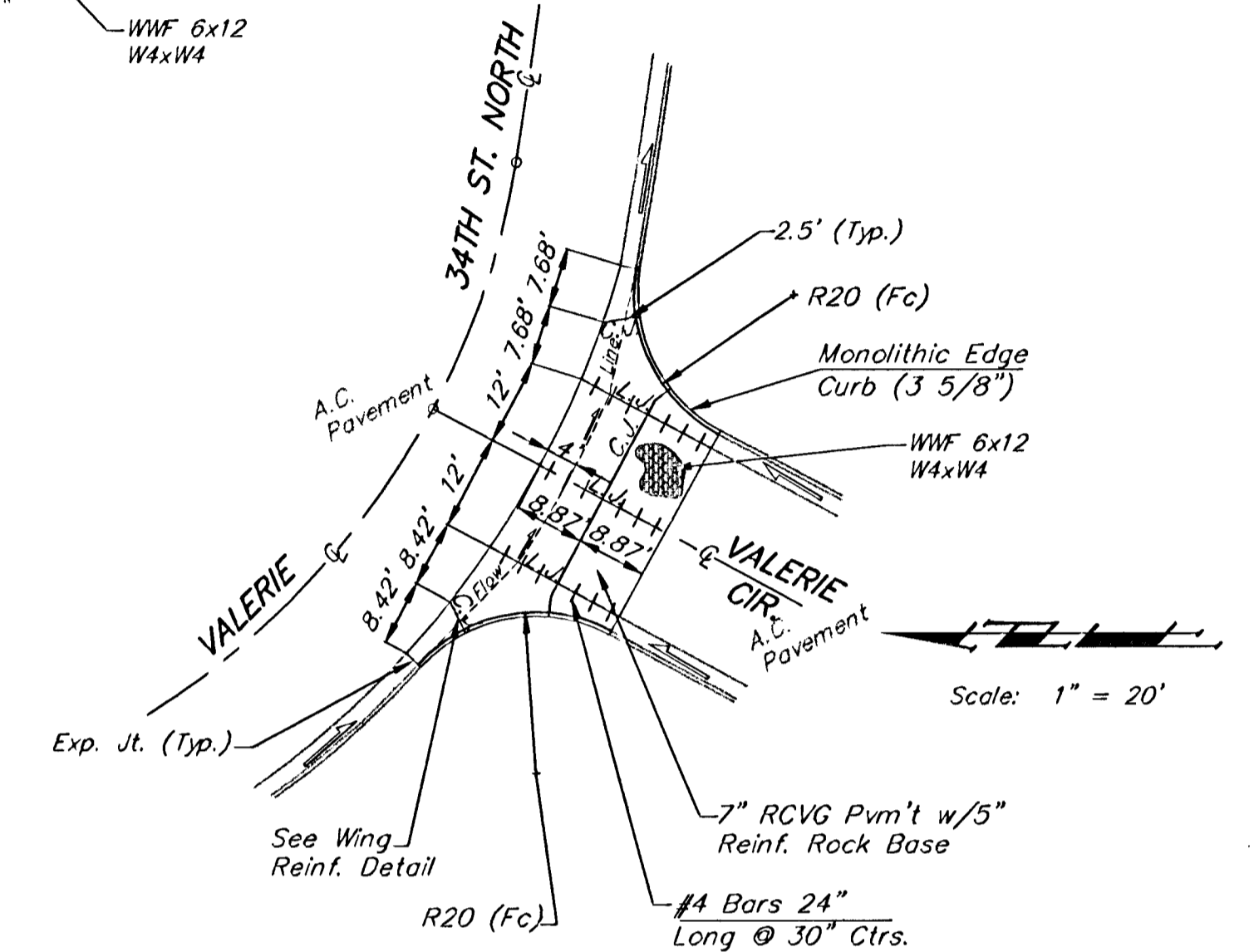
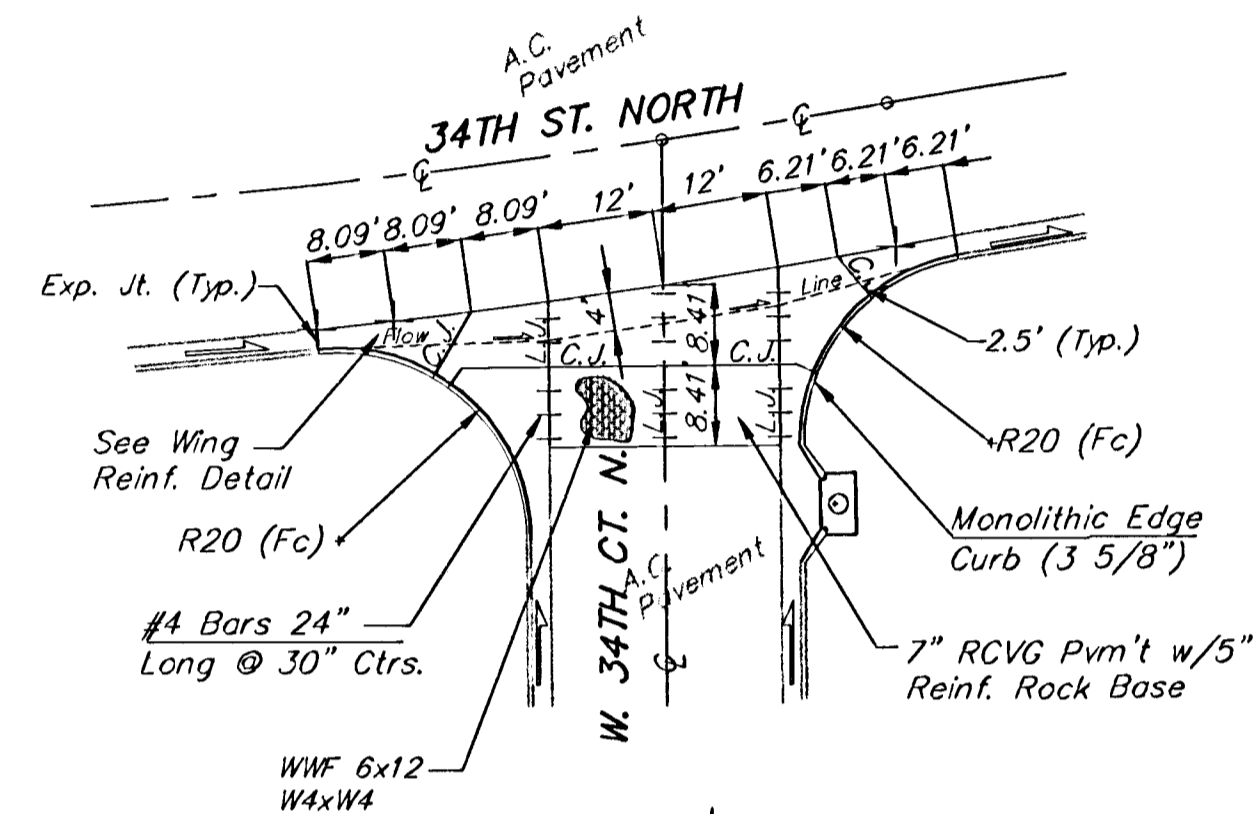
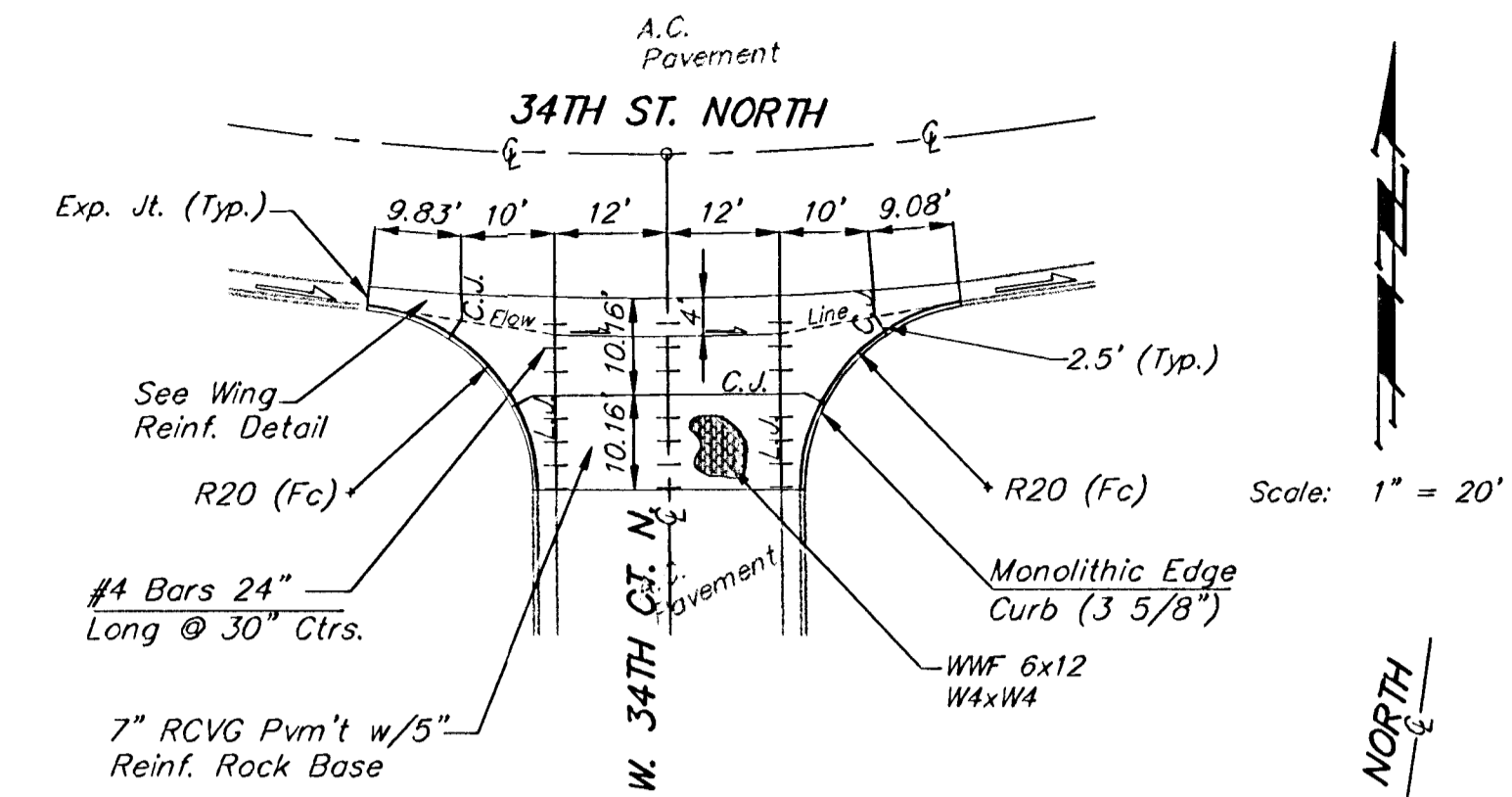


**OPTIONAL LONGITUDINAL JOINT DETAIL (L.J.) (CONSTRUCTION JOINT)**



**WING REINFORCING DETAIL**

NOTE: 6" X 12" W4XW4 Wire Fabric Reinforcing Shall Be Placed So That The Wires With The 6" Spacing Will Run Parallel With The Longitudinal Joints.



**TYLER'S LANDING ADDITION VALLEY GUTTER DETAILS**

**BAUGHMAN COMPANY P.A.**  
ENGINEERING, SURVEYING, & PLANNING

DESIGN STAFF	DRAWN STAFF	APPROVED	DATE 6/4/03	SCALE NONE	SHEET 6 OF 33
--------------	-------------	----------	-------------	------------	---------------

1/32 DETAIL