

**BENCHMARKS:**

BM #1: 80d Spike in West face of North High Line Pole in East R/W Tyler Road 1/2 mile of South of 37th Street North. Elev. = 176.05 City Datum (1363.45 NGVD)

BM #2: "□" Cut Top of Curb on West side of Pepper Ridge 15± South of Northeast Corner Lot 23, Block 5, Forest Lakes West Addition. Elev. = 157.12 City Datum (1344.52 NGVD)

Const. 7" Reinforced Concrete Valley Gutter Pvm't on 5" Rein. Rock Base w/monolithic Edge Curb (6-5/8"). (See detail sheet 6)

**TYLER'S LANDING ADDITION**

Trans. from Full-Height Curb to Roll-Type Curb through Valley Gutter return. (Both sides)

Sta. 2+45.00, 35' Lt. Install Metro D3 (SNS) Ass'y Per City Specs. "Brookview" & "Valerie" Cir. 3601-3621" (See detail, sheet 4)

Adjust MH from Elev. = 157.00 to Elev. = 156.25 All costs associated with MH Adjustment to be included in bid item "MH Adj".

Scale: 1" = 20' Horizontal  
• = Iron

Adjust Inlet top to match proposed grade. Cost to be bid as "Inlet Adjustment".

Const. Inlet Sediment Barriers. (See detail sheet 18).

Const. Full-Height Low Edge Medial Curb & Gutter (6-5/8"). (See detail sheet 5) Medial shall be filled with friable select fill material.

Note: Match line with Project #472-83692. Contractor shall coordinate street construction with adjacent project.

Sta. 3+80.00 End construction of 5" A.C. Pvm't w/5" Reinforced Rock Base.

Sta. 3+80.00 End construction of 4' wide concrete walk.

Install 85 L.F. 24" RCP w/ End Sections and 16 S.Y. (8 S.Y. Each End) Light Stone Rip-Rap as Shown. Flow In (S) = 161.55 Flow Out (N) = 161.37

Saw, cut, remove & replace 2' existing surface course as indicated. Cost shall be included in "Site Clearing and Restoration."

Const. 5" A.C. Pavement Hook-up on 5" Reinforced Rock Base.

Sta. 0+65.25, 1.0' Rt. Install R4-7 (Keep Right) & OM-1 sign.

Sta. 0+61.00, 33' Lt. Install R1-1 (Stop Sign).

Const. Full-Height Low Edge Medial Curb & Gutter (6-5/8"). (See detail sheet 5) Medial shall be filled with friable select fill material.

Manhole Rim Elev. = 160.50

Sta. 1+79.75, 1.0' Rt. Install R4-7 (Keep Right) & OM-1 sign.

Const. Full-Height Low Edge Medial Curb & Gutter (6-5/8") (Both sides)

Install 8 - 4" PVC Pipes (27' Long) under pavement. Cost incidental to "5" A.C. Pvm't."

Sta. 1+85.00, 33' Rt. Install Std. D3 (SNS) Ass'y Per City Specs. "Brookview" & "Valerie" (See detail, sheet 4)

Sta. 0+61.00, 33' Rt. Install Std. D3 (SNS) Ass'y Per City Specs. "Tyler Rd 3500 W" & "Brookview 8700 W" (See detail, sheet 4)

Const. 30 L.F. Concrete Flume (60 L.F. Total) (Both sides) (See detail this sheet) Cost of Concrete Flume to be included in bid item "Site Clearing & Restoration."

Const. Std. Wheelchair Ramps. (Both sides). (See detail sheet 6)

Const. 7" Reinforced Concrete Valley Gutter Pvm't on 6" Rein. Rock Base w/monolithic Edge Curb (6-5/8"). (See detail sheet 6)

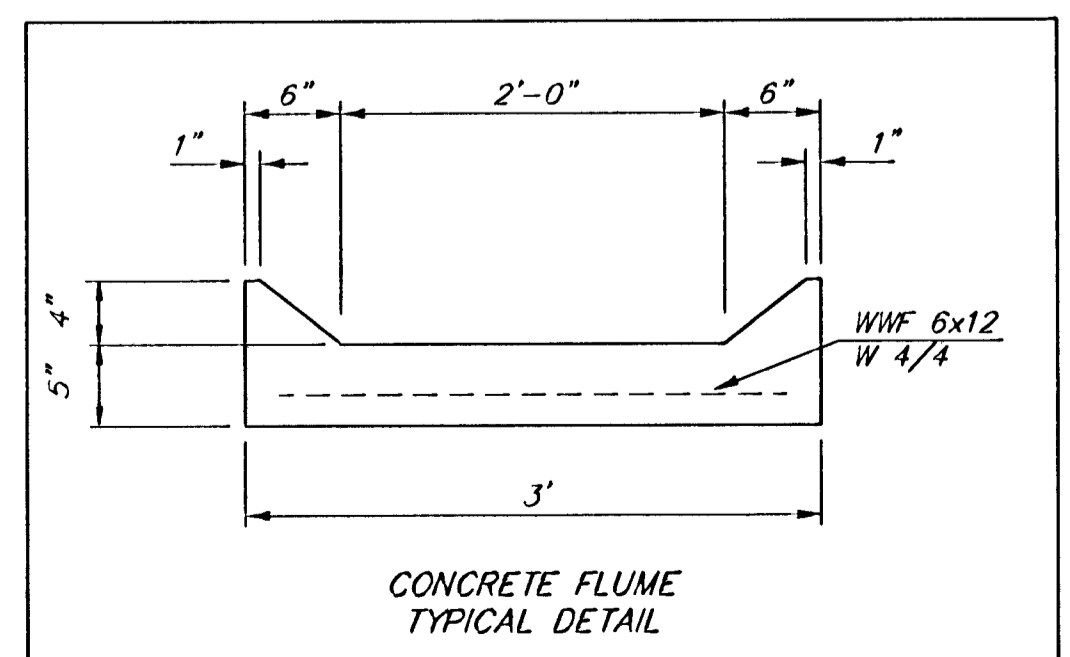
Trans. from Full-Height Curb & Gutter (6-5/8") to Roll-Type Curb & Gutter (3-5/8") Through Wheelchair Ramp (Both sides)

Const. 5" A.C. Pavement w/5" Reinf. Rock Base.

Install 8 - 4" PVC Pipes (27' Long) under pavement. Cost incidental to "5" A.C. Pvm't."

Valve Box Elev. = 159.60

Valve Box Elev. = 156.20



**TYLER'S LANDING ADDITION**  
**BROOKVIEW**  
STA. 0+00 TO STA. 3+80.00

**BAUGHMAN COMPANY P.A.**  
ENGINEERING, SURVEYING, & PLANNING  
316-262-7271 • 315 ELLIS • WICHITA, KANSAS 67211

PROJECT NUMBER  
**472-83691**

DESIGN NGW DRAW GVK APPROVED DATE 6/4/03 SCALE NOTED SHEET **7** OF **33**