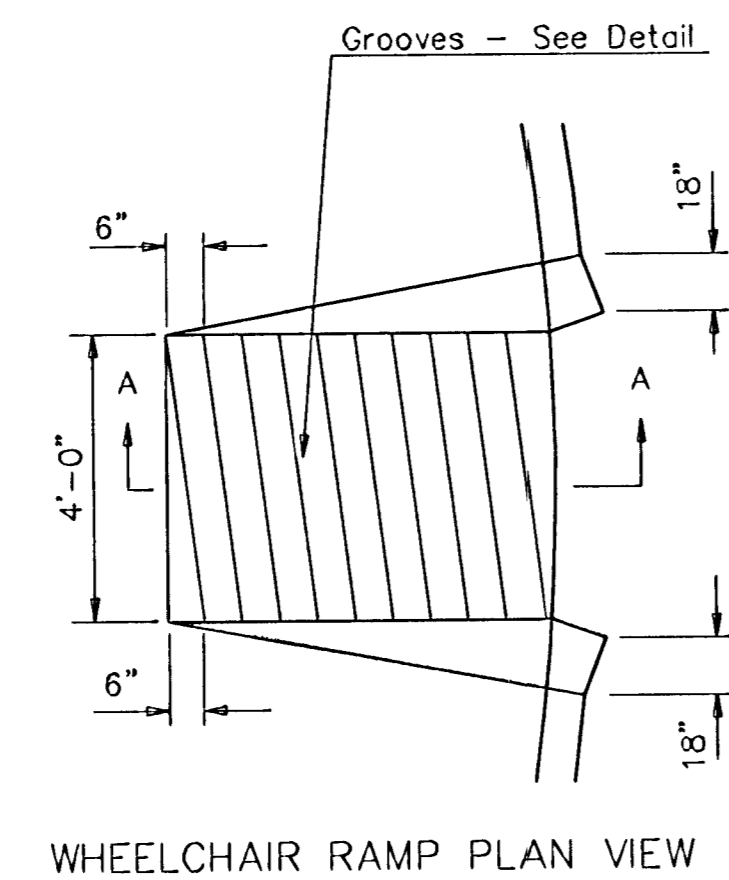
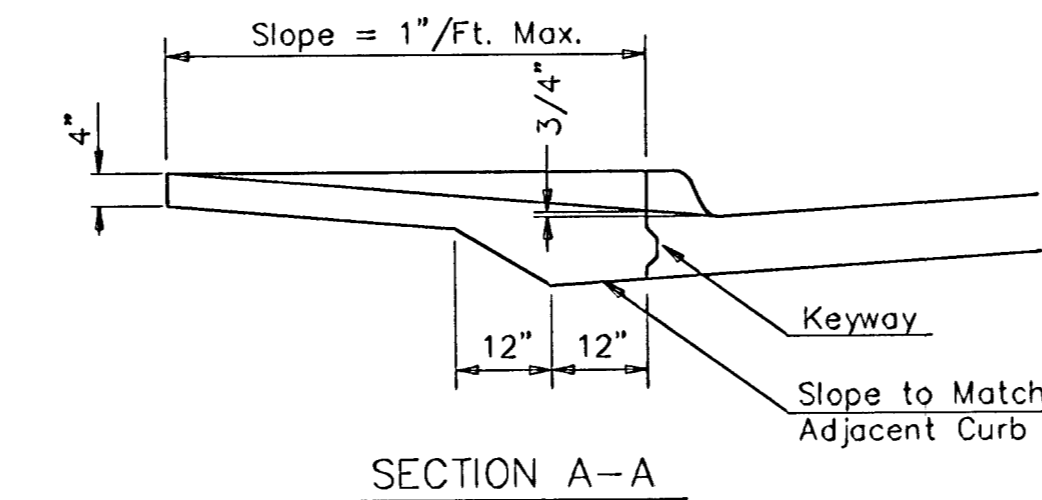


EXPANSION JOINT

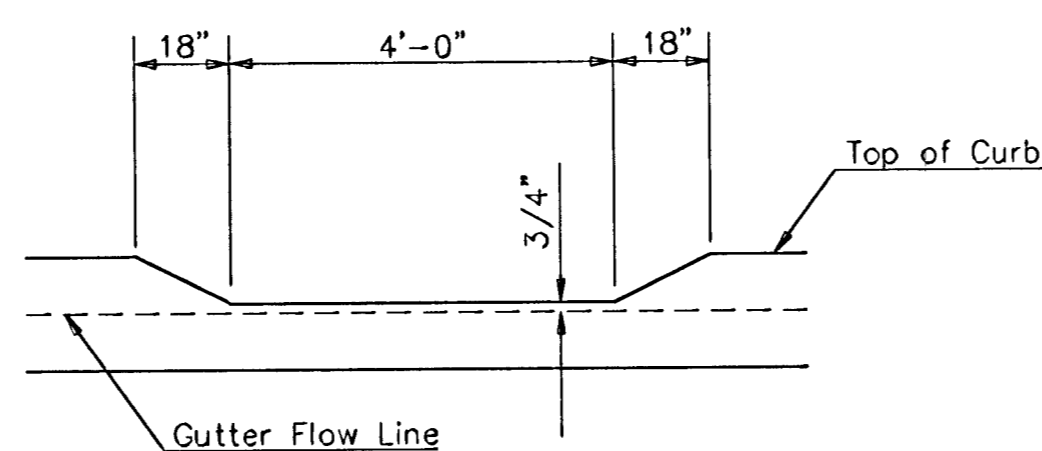
NOTE: Extra Thickness to be Subsidiary to Price of Square Yards Pavement



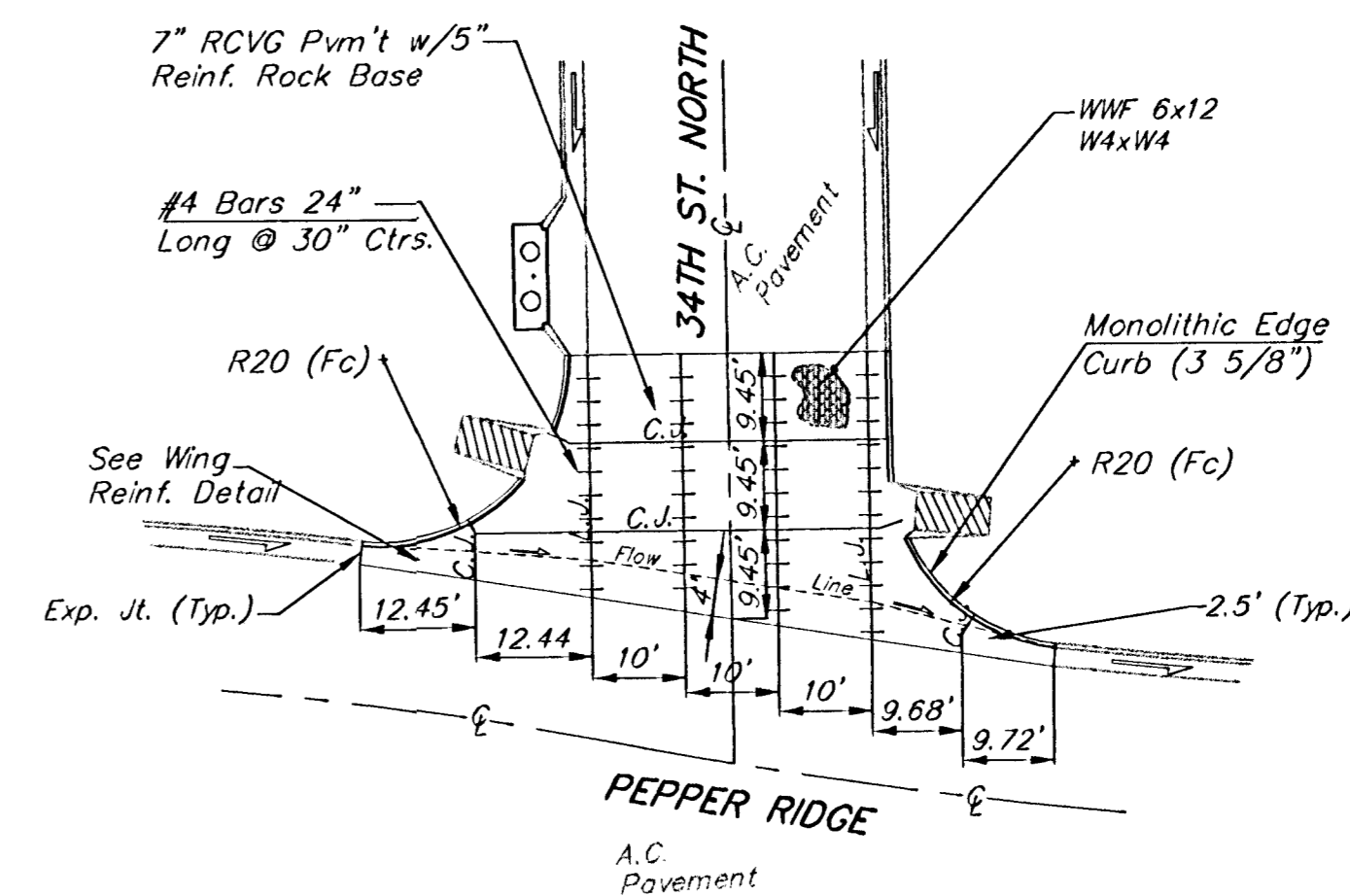
WHEELCHAIR RAMP PLAN VIEW



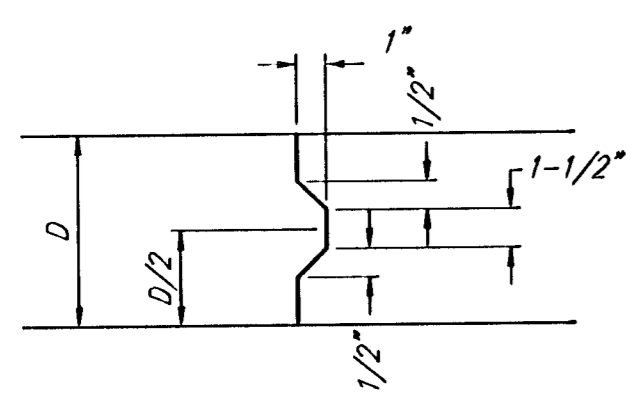
SECTION A-A



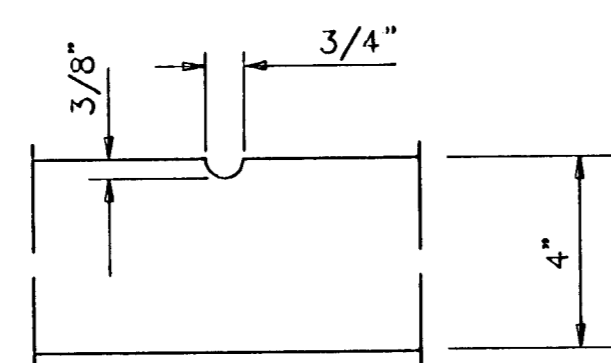
DEPRESSED CURB DETAIL



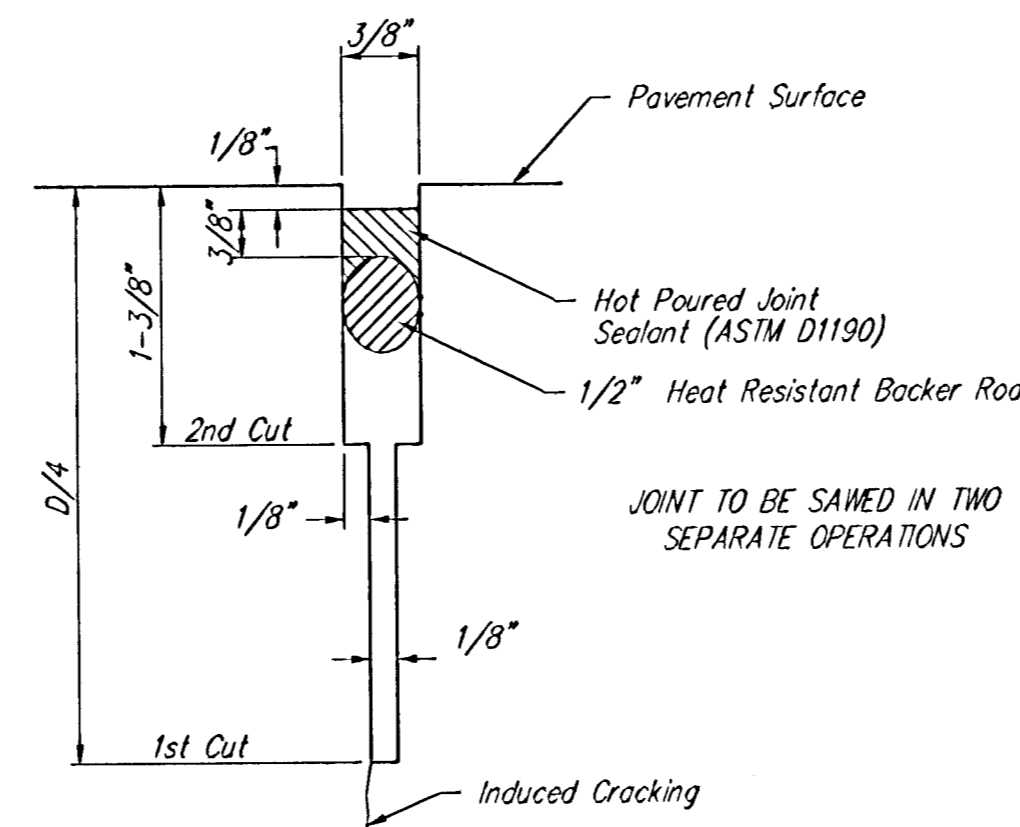
Scale: 1" = 20'



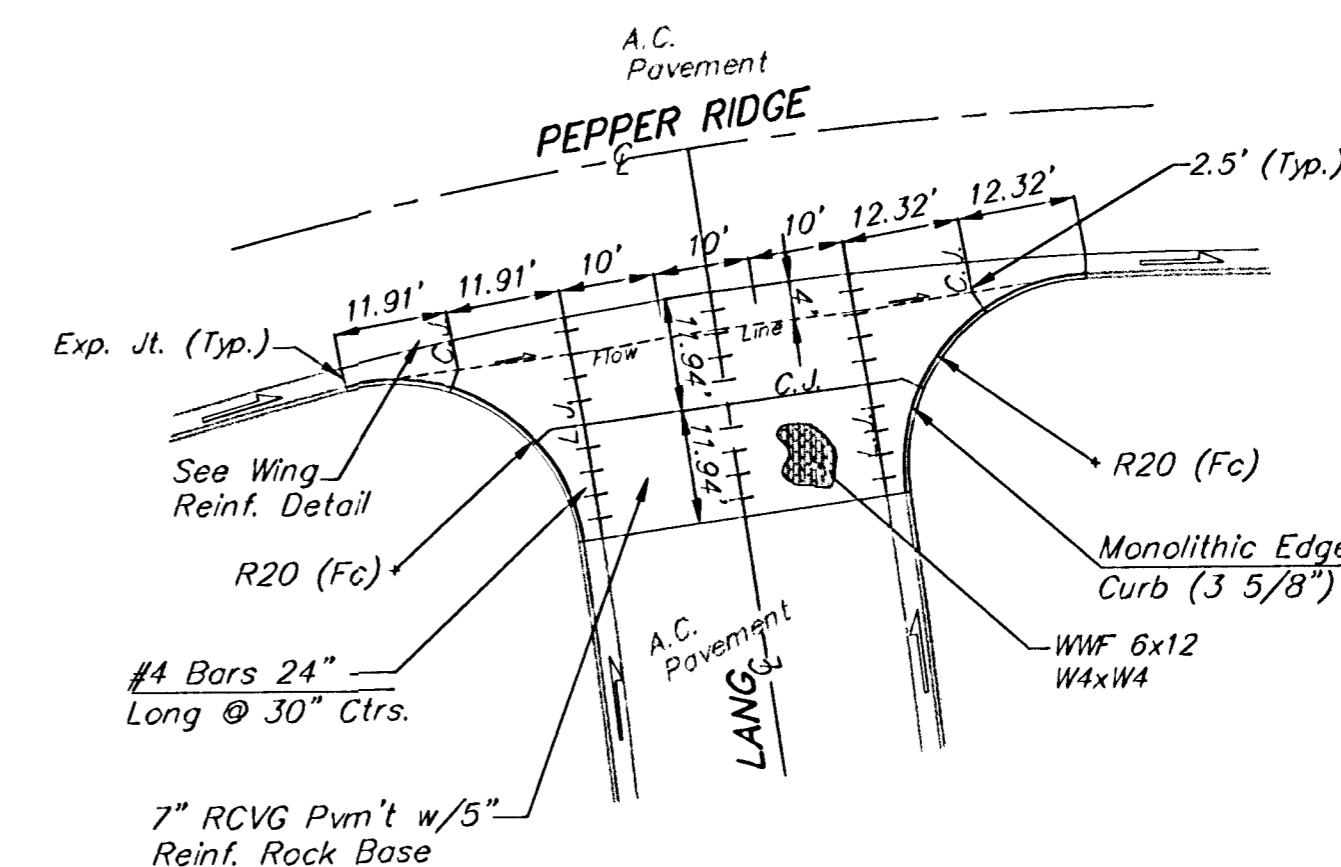
KEYWAY DETAIL



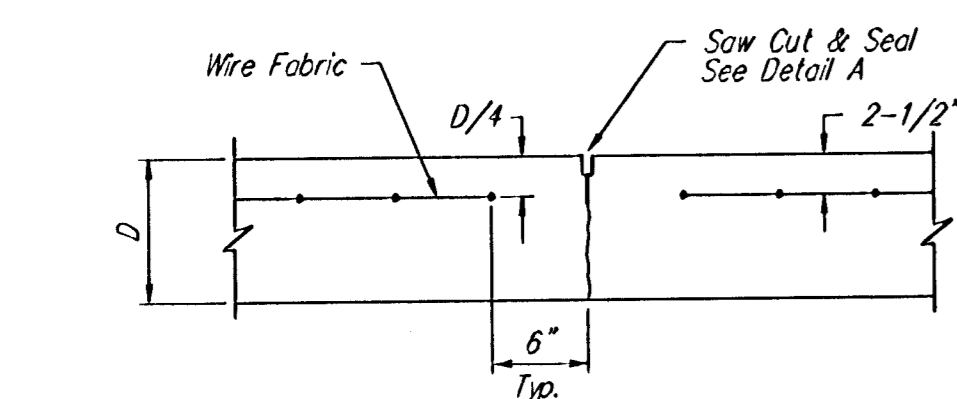
GROOVE DETAIL



SAW JOINT DETAIL "A"

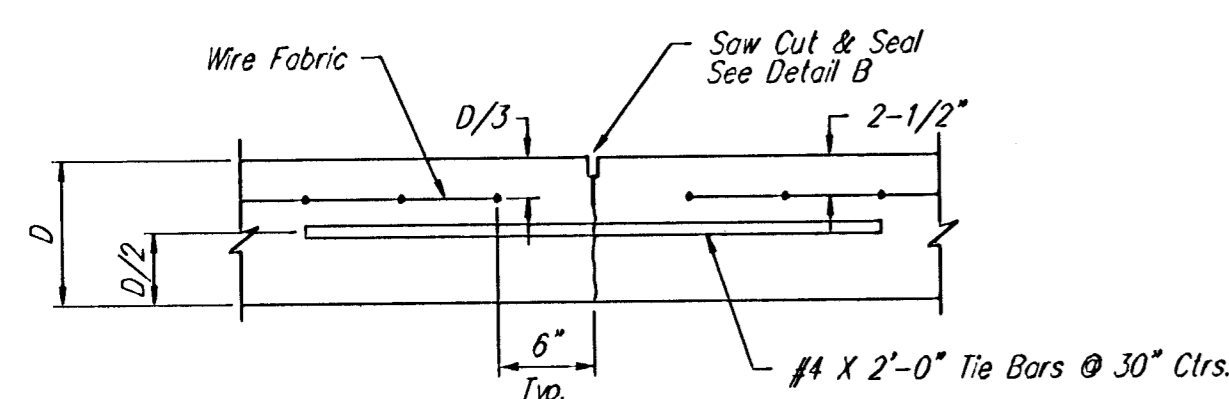


Scale: 1" = 20'

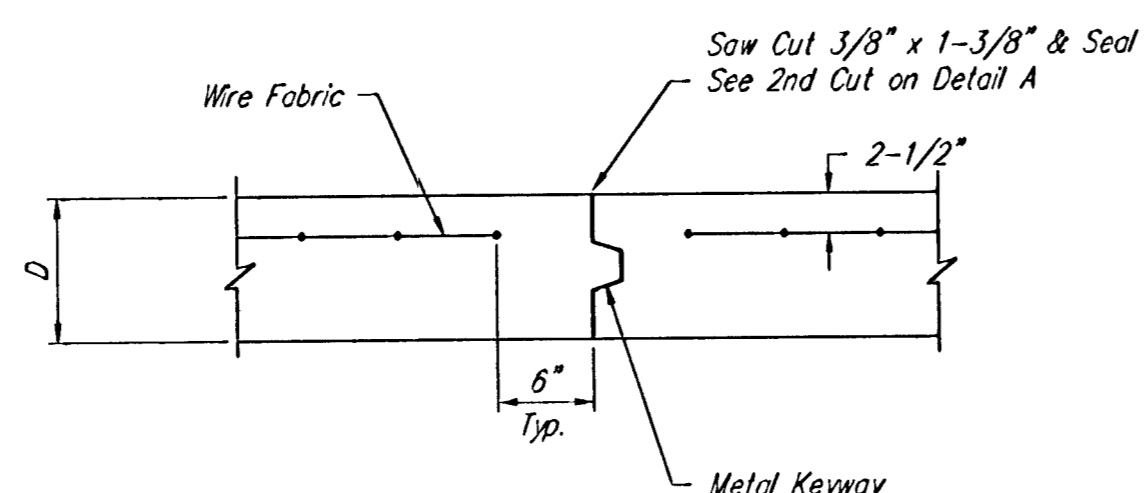


CONTRACTION JOINT DETAIL (C.J.)

WHEELCHAIR RAMP DETAIL

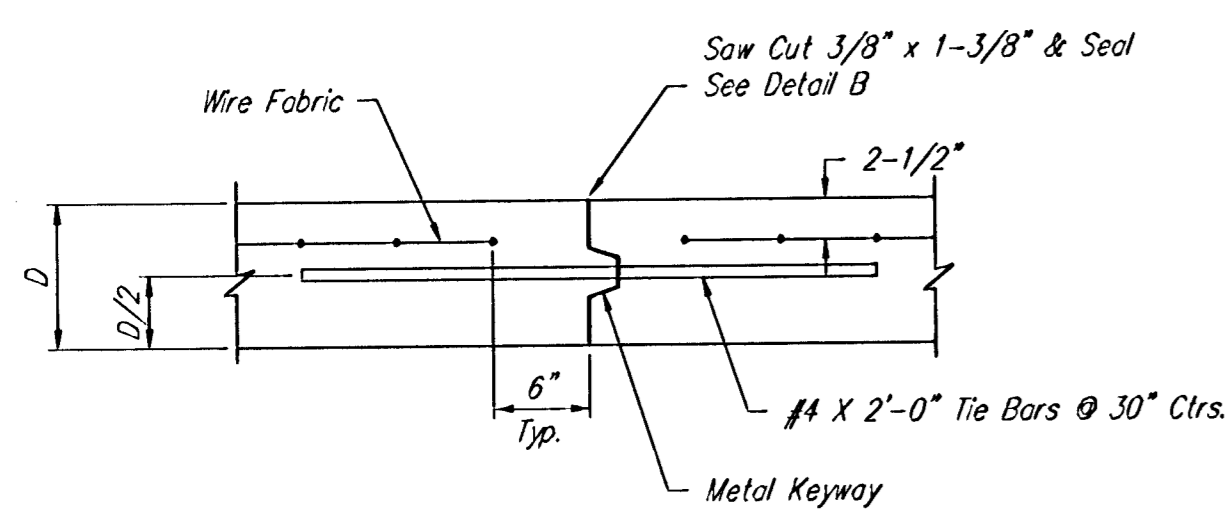


LONGITUDINAL JOINT DETAIL (L.J.)

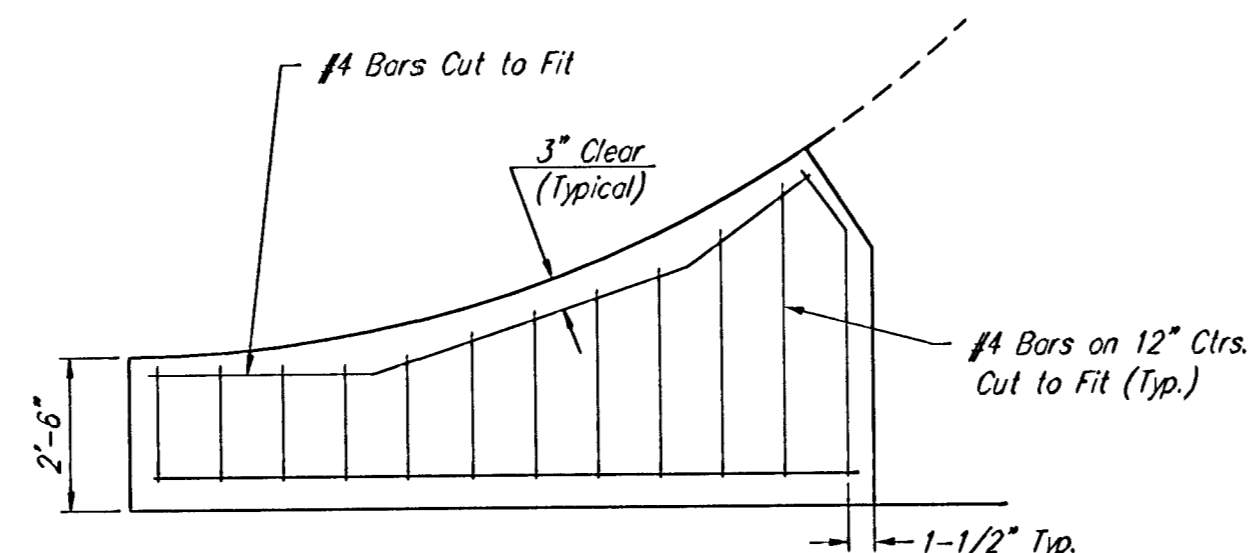


OPTIONAL CONTRACTION JOINT (CONSTRUCTION JOINT)

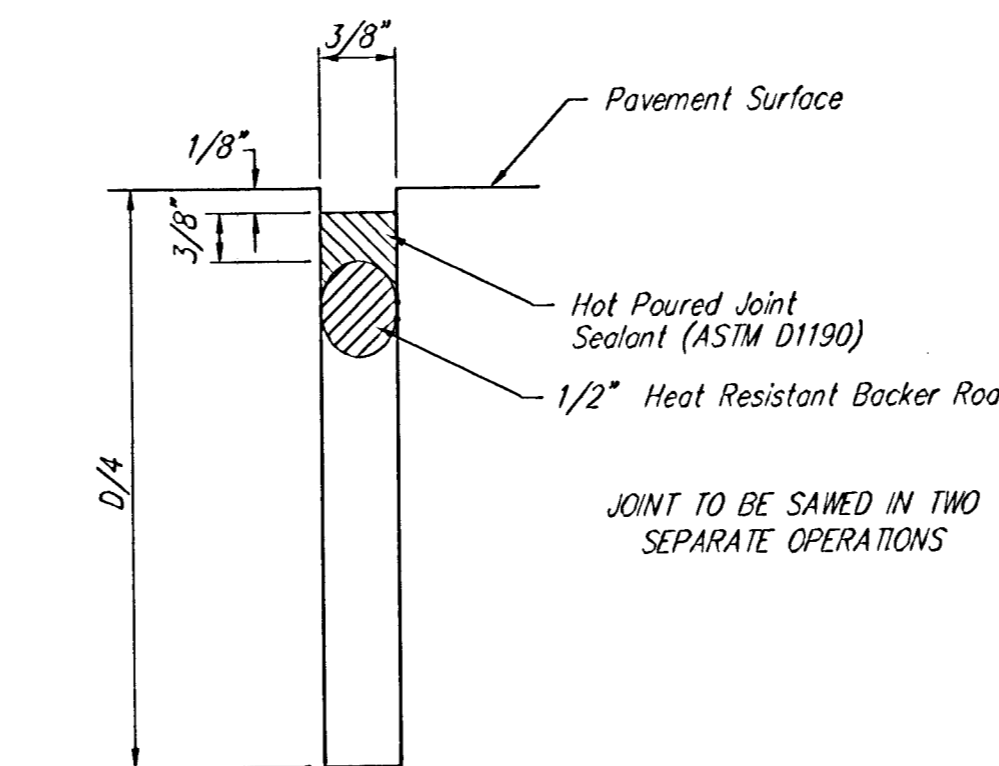
SAW JOINT DETAIL "B"



OPTIONAL LONGITUDINAL JOINT DETAIL (L.J.) (CONSTRUCTION JOINT)



WING REINFORCING DETAIL



SAW JOINT DETAIL "B"

NOTE: 6" X 12" W4XW4 Wire Fabric Reinforcing Shall Be Placed So That The Wires With The 6" Spacing Will Run Parallel With The Longitudinal Joints.

TYLER'S LANDING ADDITION
VALLEY GUTTER DETAILS

BAUGHMAN COMPANY P.A.
ENGINEERING, SURVEYING, & PLANNING
316-282-7271 • 315 ELLIS • WICHITA, KANSAS 67211

| | | | | | |
|--------------|-------------|----------|-------------|------------|---------------|
| DESIGN STAFF | DRAWN STAFF | APPROVED | DATE 6/4/03 | SCALE NONE | SHEET 5 OF 24 |
|--------------|-------------|----------|-------------|------------|---------------|

1/30/02/AL