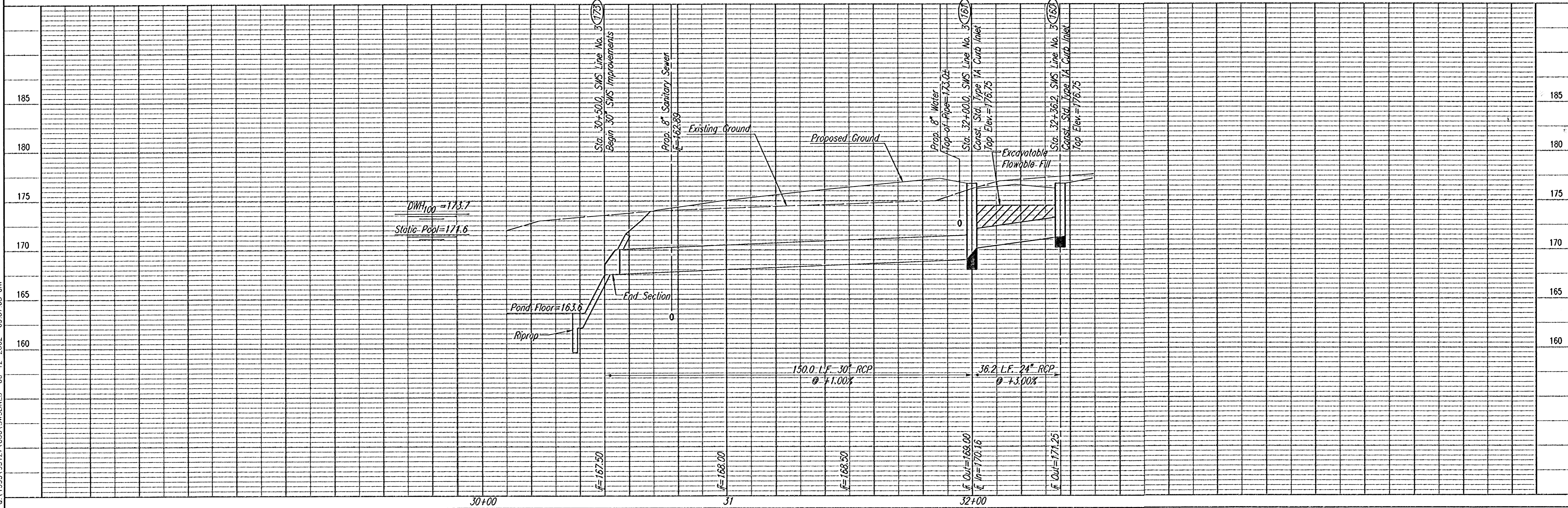


DSNR: GDD OPER: DEP SCALE: 1"=20.00
 0:\1999\99127\000\SWS\LINE3_06-12-2002_09:37:03.dwg

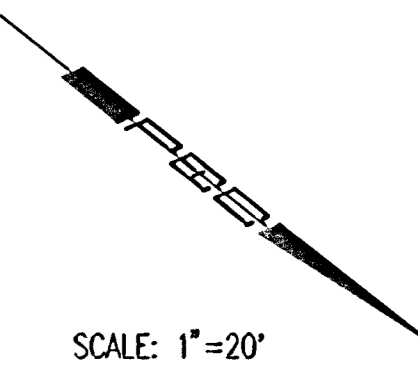


173
 Sta. 30+50.0, SWS Line No. 3
 Begin 30" SWS Construction
 Install 150 L.F. 24" RCP
 (Including End Section)

Install 68 S.Y.
 Light Stone Riprap
 See Sh. No. 21

161
 Sta. 32+00.0, SWS Line No. 3=
 Crestwood Sta. 45+02.00, 17.67' Rt.
 Const. Std. Type 1A Curb Inlet
 L=5'-0", W=3'-0"
 Top Elev.=176.75
 Install 36.2 L.F. 24" RCP (N)
 See Sh. Nos. 20 and 28

160
 Sta. 32+36.2, SWS Line No. 3=
 Crestwood Sta. 45+10.00, 17.67' Lt.
 Const. Std. Type 1A Curb Inlet
 L=10'-0", W=3'-0"
 Top Elev.=176.75
 See Sh. Nos. 20 and 29



SCALE: 1"=20'

900 COORDINATE POINT NUMBER
 SEE SH. NO. 13 FOR COORDINATES

CHAPEL HILL ADDITION

SWS LINE NO. 3
 STA. 30+50.0 TO STA. 32+36.2

Professional Engineering Consultants, P.A.
 303 S. TOPEKA - WICHITA, KANSAS 67202
 316-262-2691 • FAX 316-262-3003

Designed by: BCR, GDD
 Drawn by: SAC, DEP

Job No. 59127
 Date JANUARY, 2001

C.O.W. PROJ. NO. 472-76-245-83077-000-000-001

Sheet 15 of 60