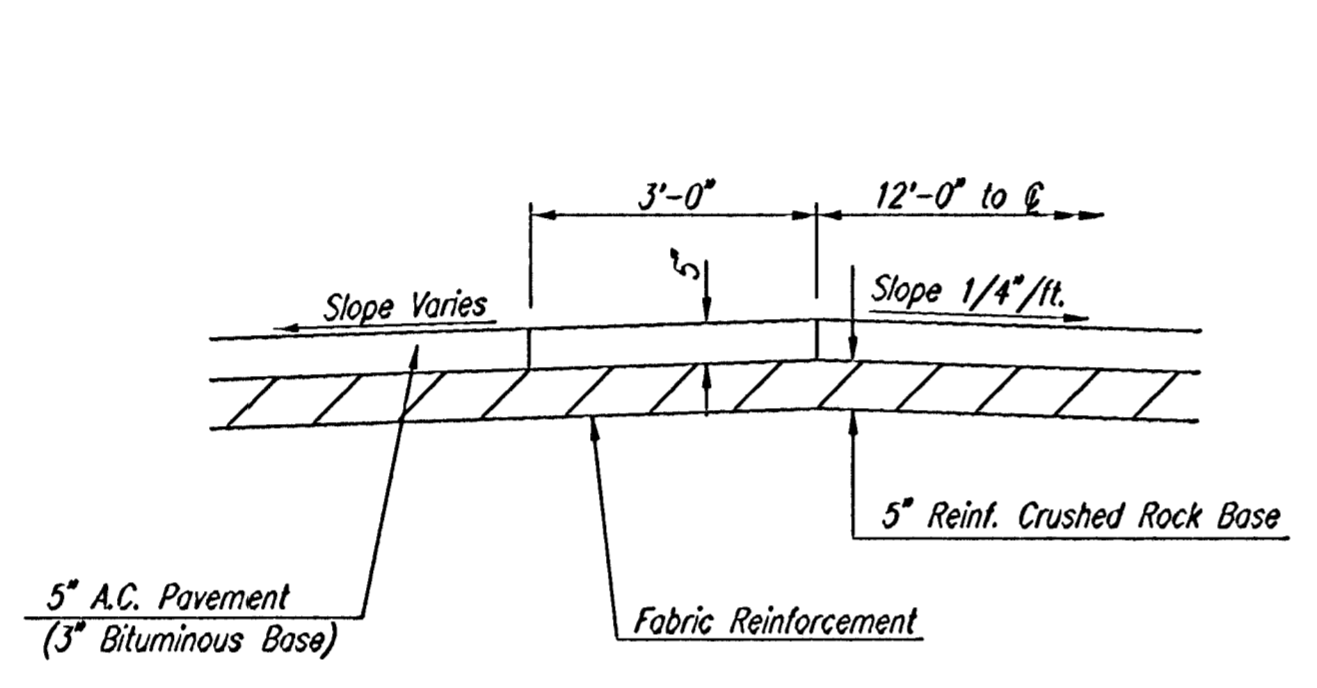
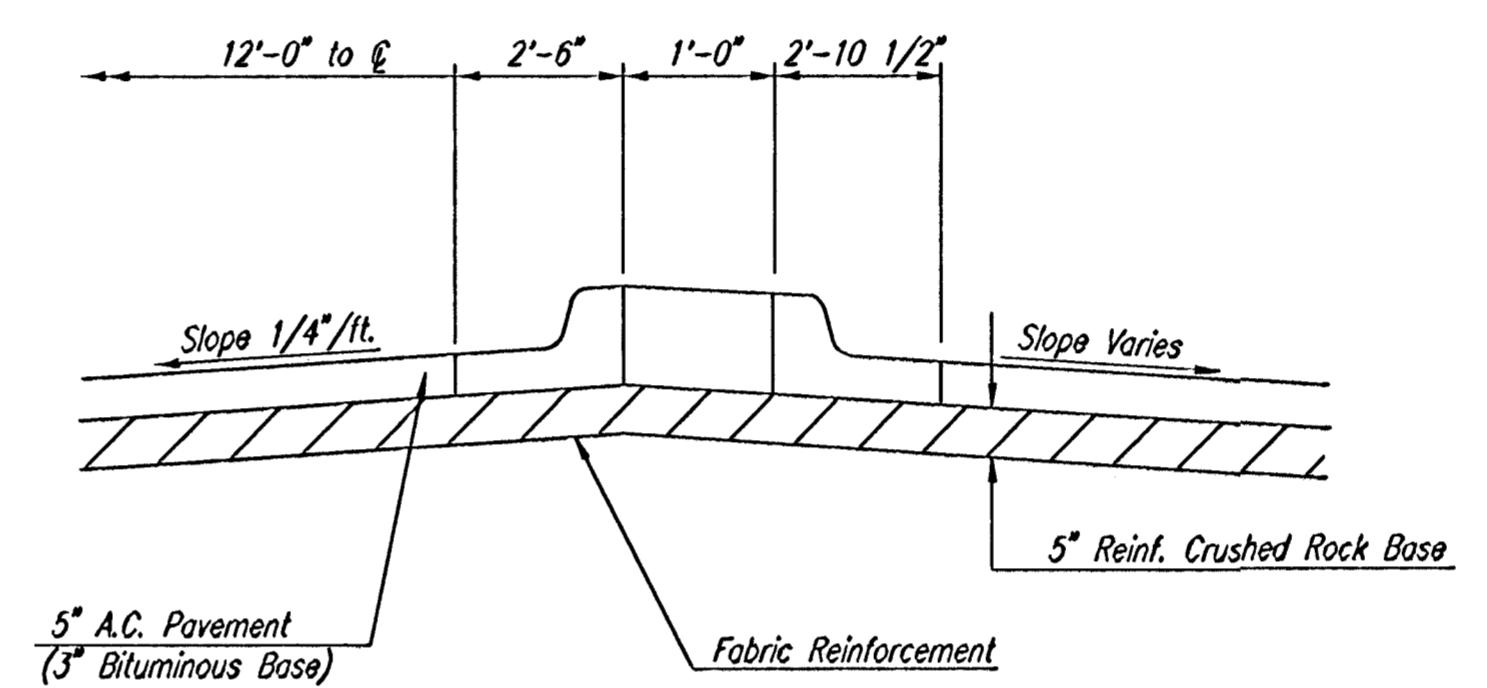


**TYPICAL SECTION**  
Sta. 20+62.78 to Sta. 22+25.39

- ① Varies from Sta. 21+50.10 to Sta. 22+00.10, 29'-0" from Sta. 22+00.10 to Sta. 22+25.39 See Plan
- ② Varies from Sta. 21+62.60 to Sta. 22+25.39 See Plan
- ③ Median Width Varies Sta. 21+16.03 to Sta. 21+57.04 See Plan  
Median Nose Sta. 21+57.04 to Sta. 21+62.60  
No Median Sta. 21+62.60 to Sta. 22+25.39
- ④ Varies Sta. 21+67.64 to Sta. 22+25.39 See Plan
- ⑤ 0'-0" from Sta. 21+57.04 to Sta. 22+25.39
- ⑥ Varies Sta. 21+62.60 to Sta. 22+25.39 See Spot Elevations
- ⑦ Varies Sta. 21+16.03 to Sta. 22+25.39 See Spot Elevations



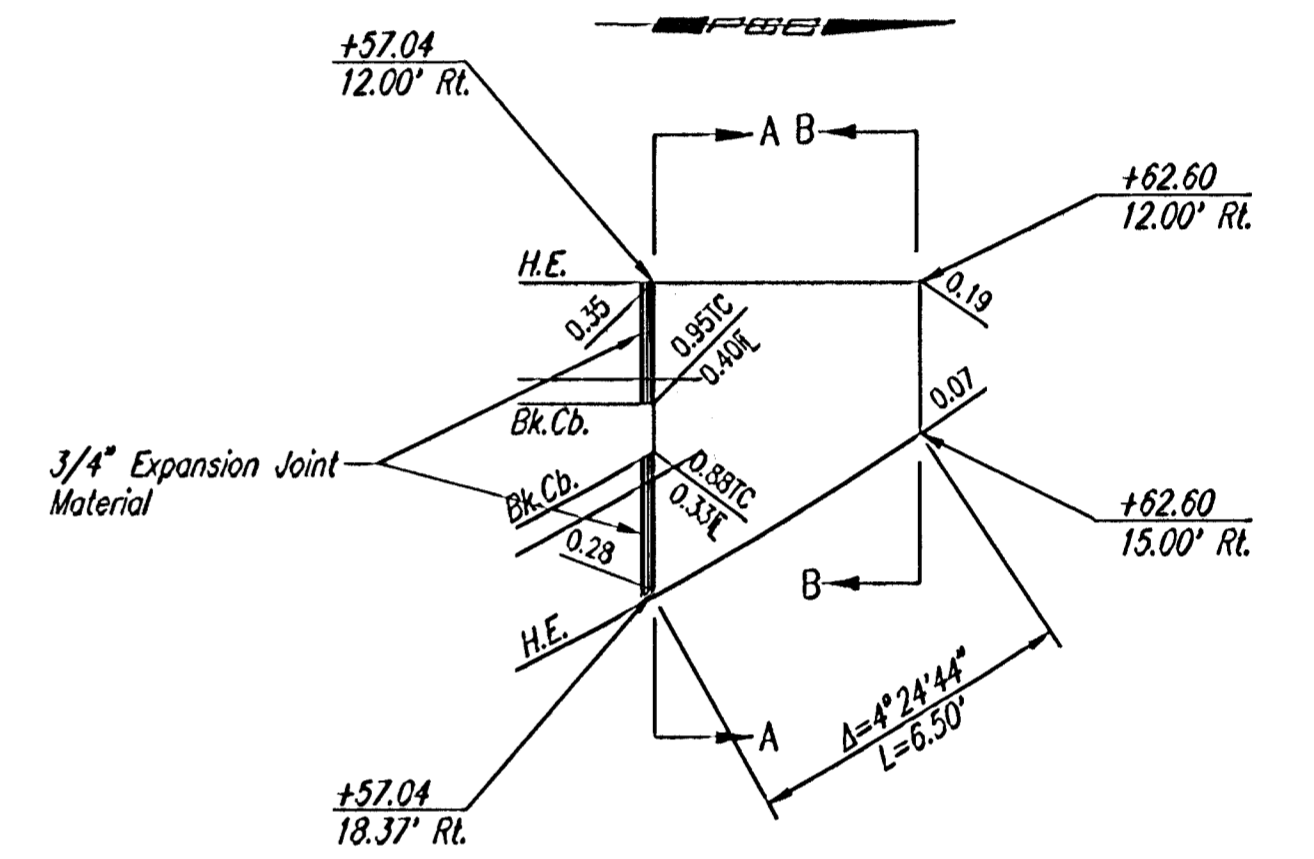
SECTION B-B



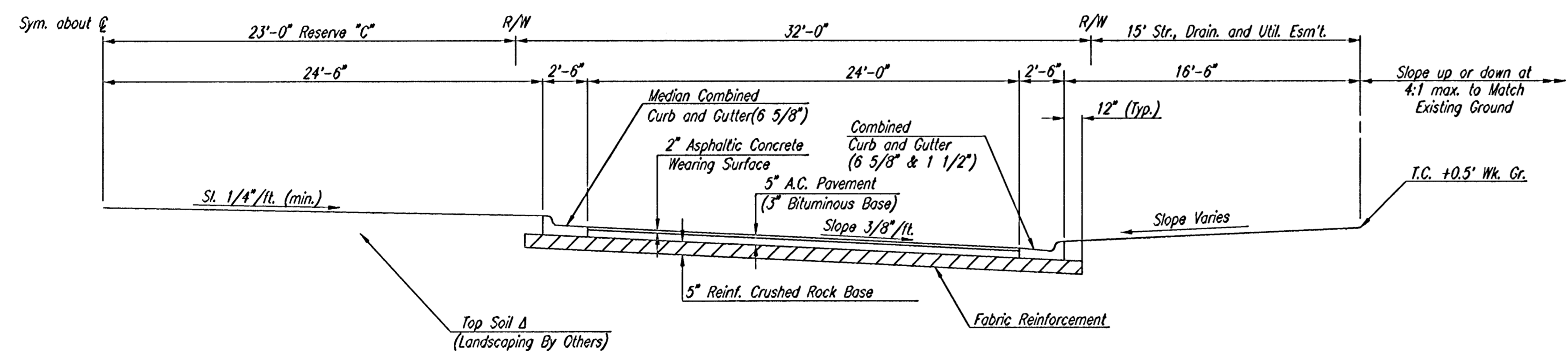
SECTION A-A

**MEDIAN NOSE DETAILS**

NOTE: MEDIAN NOSE SHALL BE PAID FOR AS 12.06 LIN. FT. "MEDIAN COMBINED CURB AND GUTTER". SPECIAL SHAPING AND ADDITIONAL CONCRETE REQUIRED TO TRANSITION FROM SECTION A-A TO SECTION B-B SHALL BE CONSIDERED INCIDENTAL TO "MEDIAN COMBINED CURB AND GUTTER". ENTIRE NOSE SHALL BE MONOLITHIC.

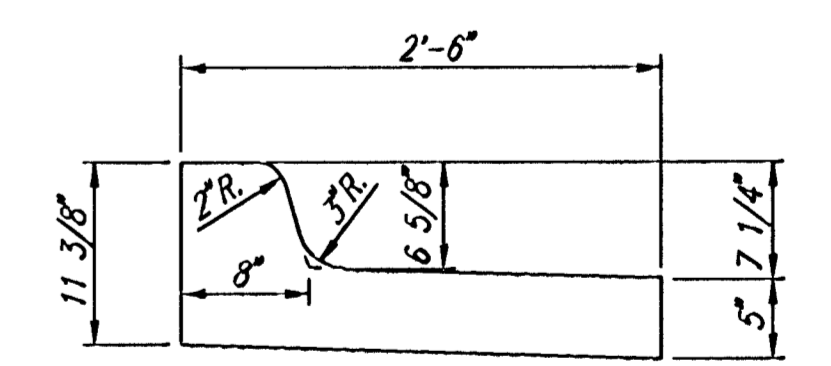


PLAN



**TYPICAL HALF SECTION**  
Section A to Section D  
Section E to Section G

Δ Top Soil to be subsidiary to other bid items.



**MEDIAN COMBINED CURB & GUTTER (6 5/8")**

CHAPEL HILL ADDITION

## CHAPEL HILL ENTRANCE DETAILS

**Professional Engineering Consultants, P.A.**  
303 S. TOPEKA • WICHITA, KANSAS 67202  
316-262-2691 • FAX 316-262-3003

Designed by	BER, GOD	Checked by	
Drawn by	DEP	Date	JANUARY, 2001
		Job No.	99127

DSNR: GOD, OPER: DEP, SCALE: 1"=1.00'  
 C:\1998\99127\000\ENTDITL 06-12-2002 07:48:33 am