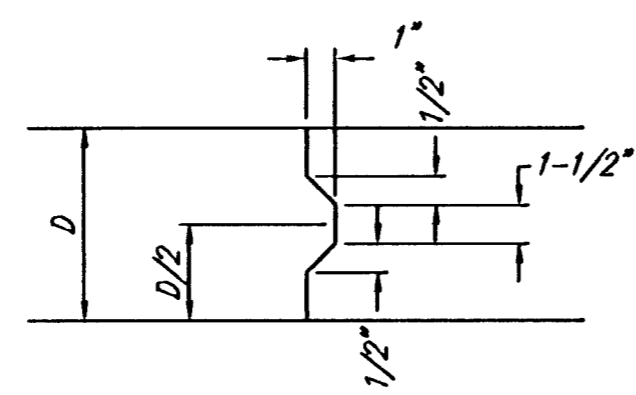
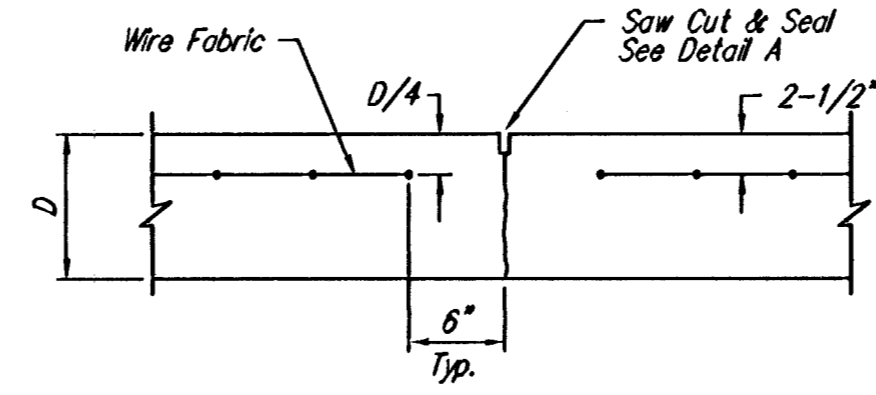


**EXPANSION JOINT**

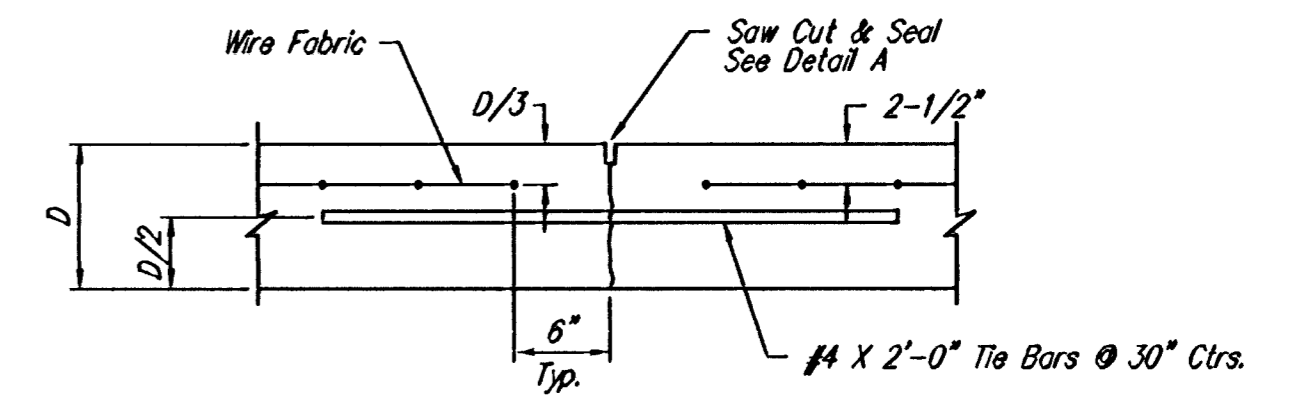
NOTE: Extra Thickness to be Subsidiary to Price of Square Yards Pavement



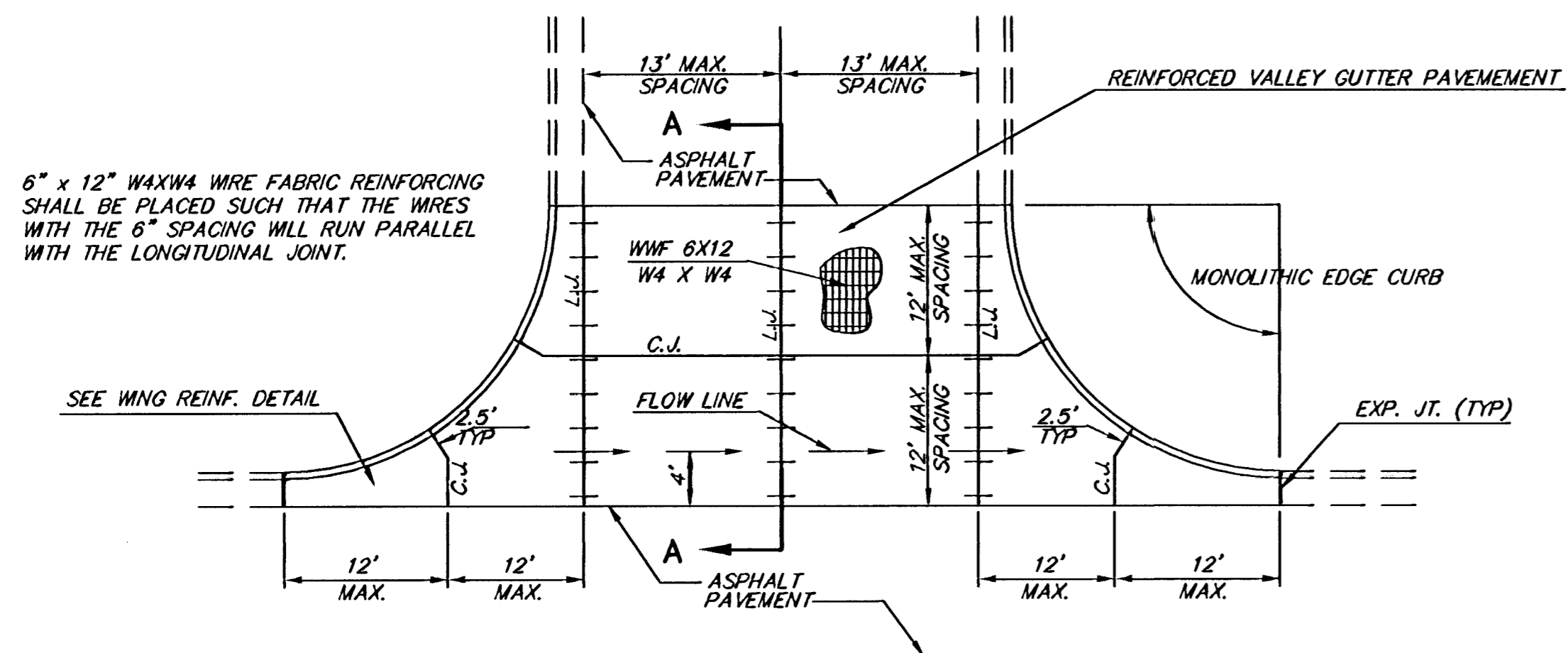
**KEYWAY DETAIL**



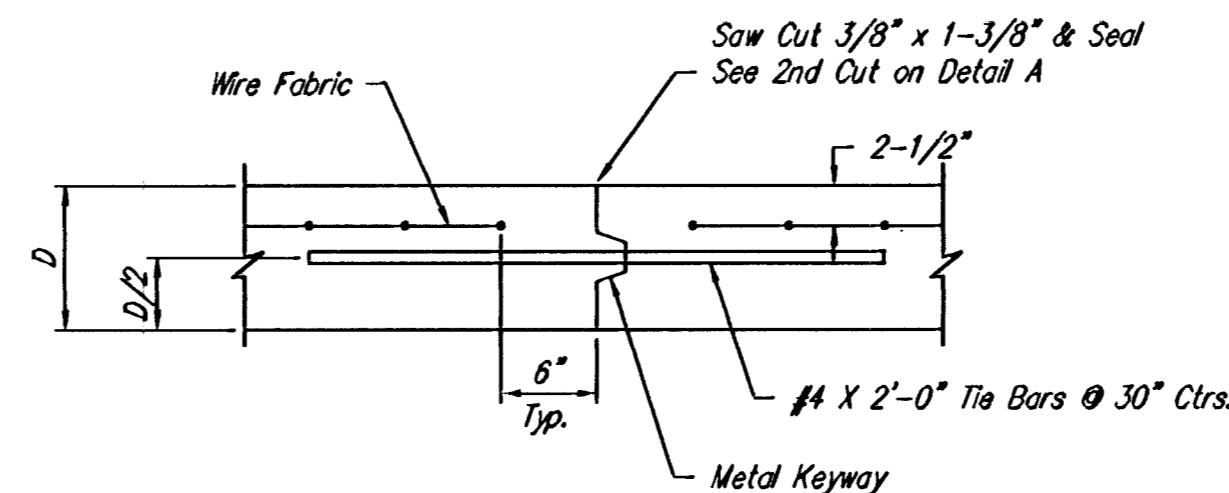
**CONTRACTION JOINT DETAIL (C.J.)**



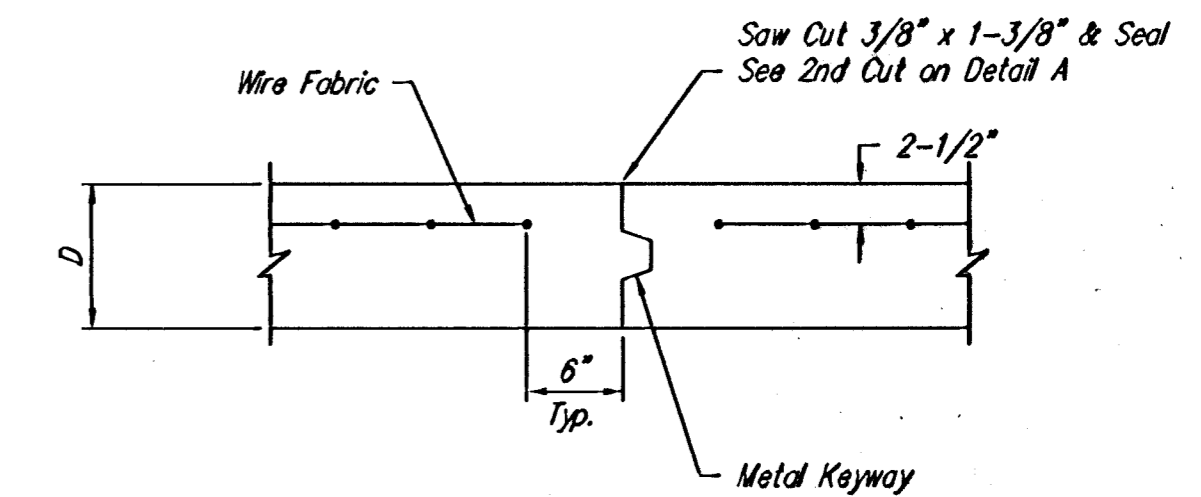
**LONGITUDINAL JOINT DETAIL (L.J.)**



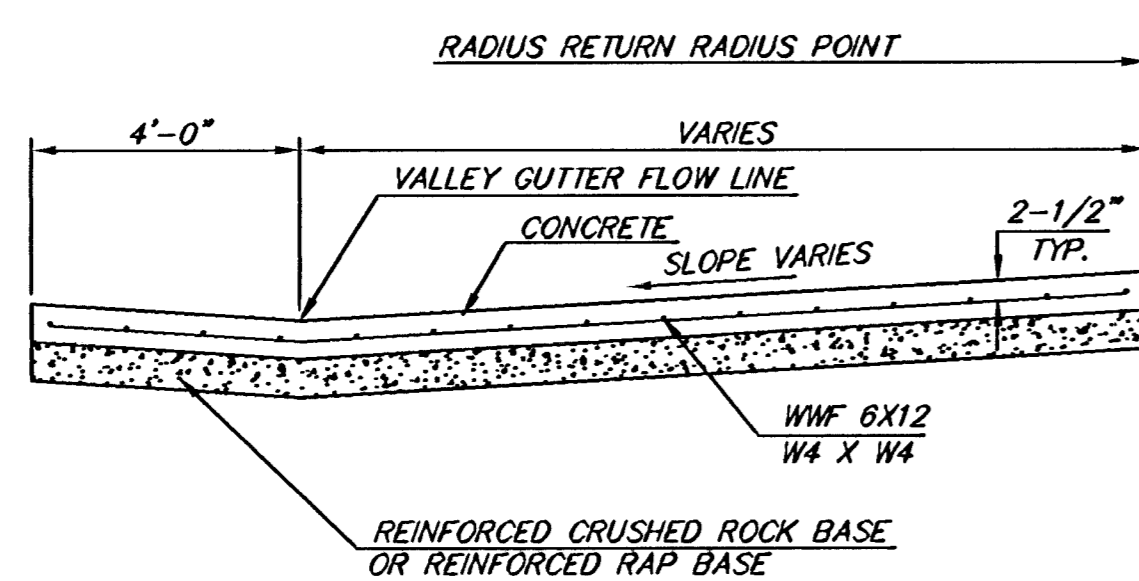
**PLAN**



**OPTIONAL LONGITUDINAL JOINT DETAIL (L.J.)**

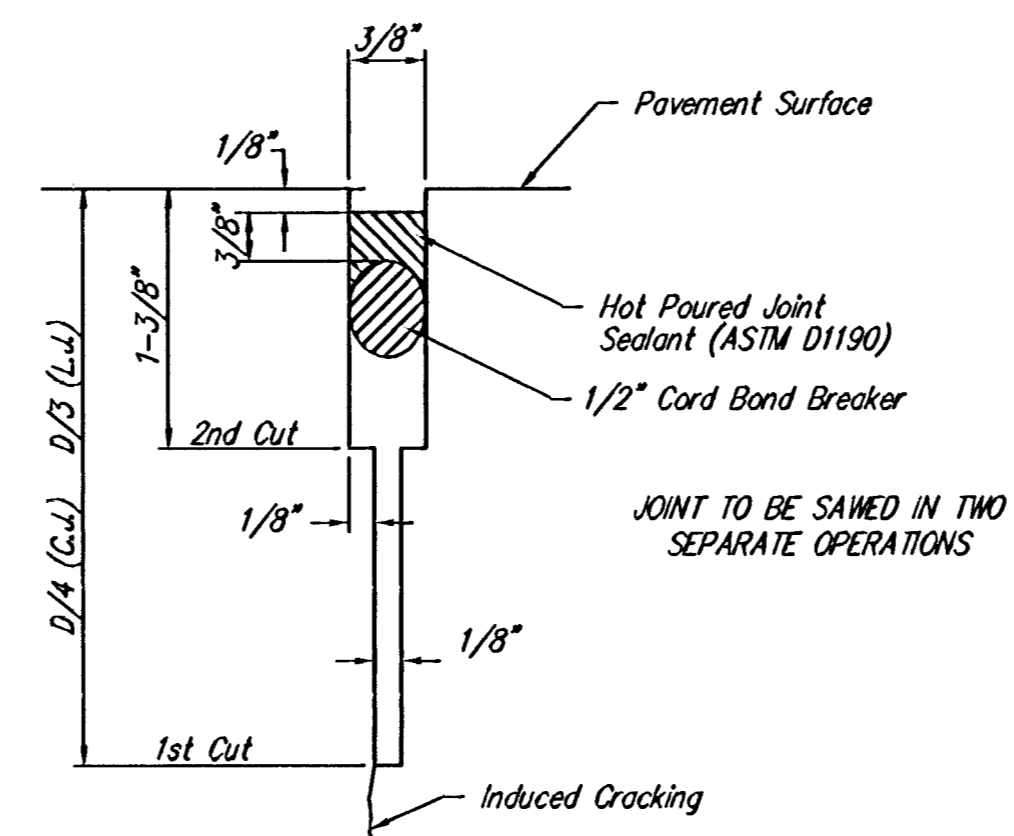


**OPTIONAL CONTRACTION JOINT**

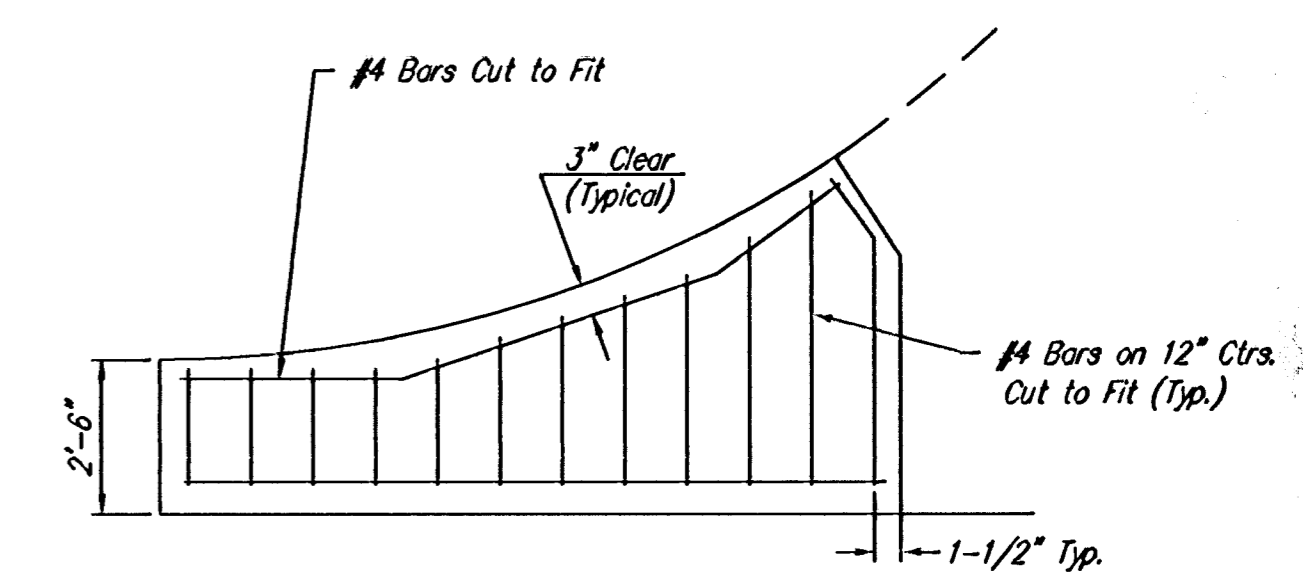


**SECTION A-A**

**REINFORCED VALLEY GUTTER DETAIL**



**SAW JOINT DETAIL**



**WING REINFORCING DETAIL**

<p>THE CITY OF WICHITA</p>	<b>VALLEY GUTTER DETAILS</b>	
	NEIL D. CABLE, P.E. - CITY ENGINEER	
	PROJECT NUMBER 472-83784	OCA NUMBER 765813
	DATE JUL 03	SHEET 4 OF 22