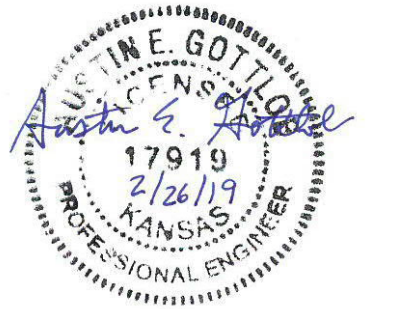
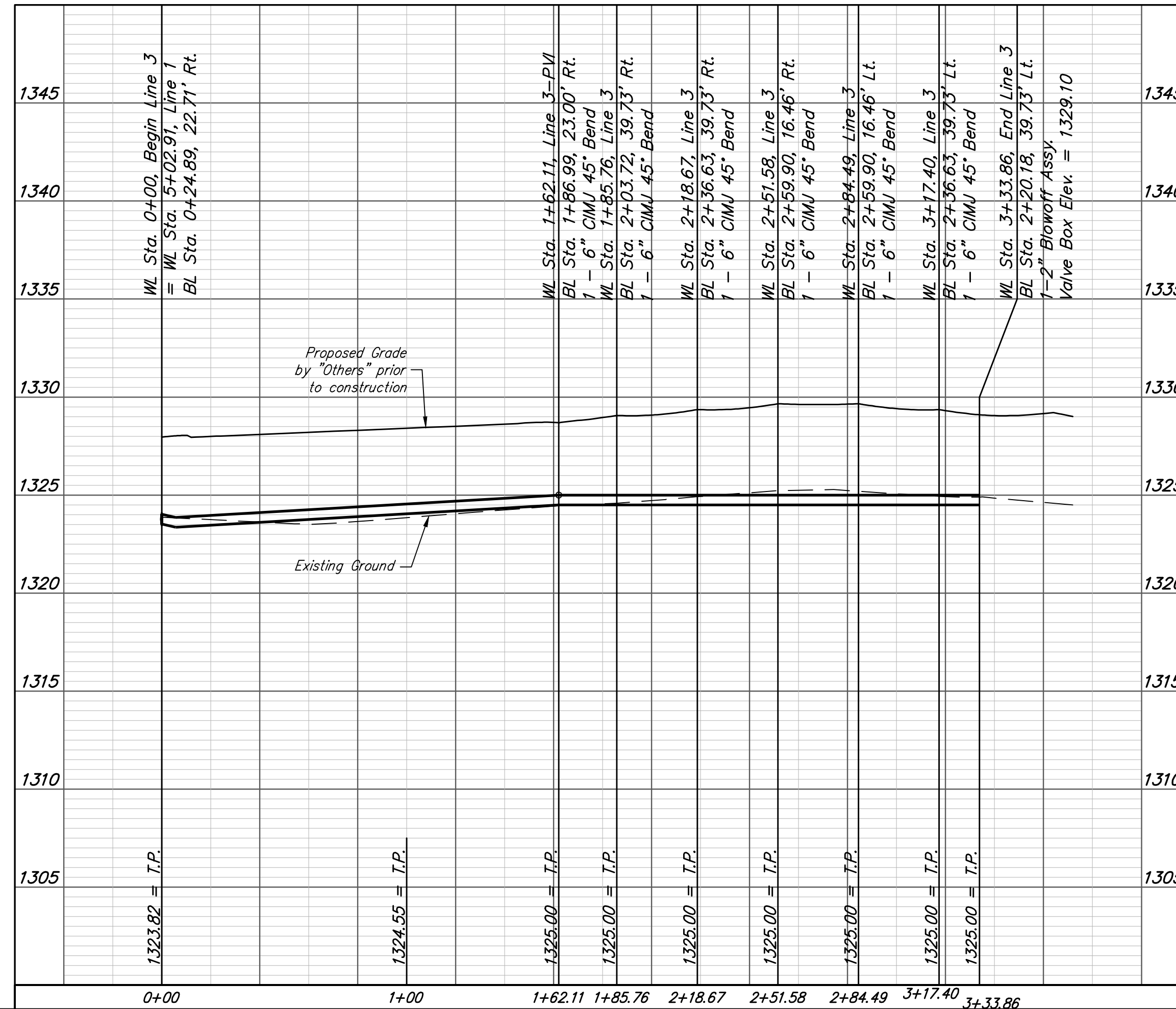
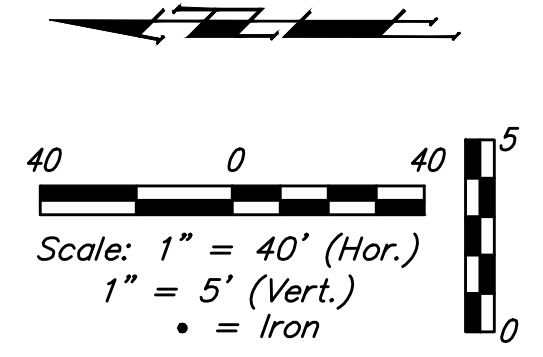
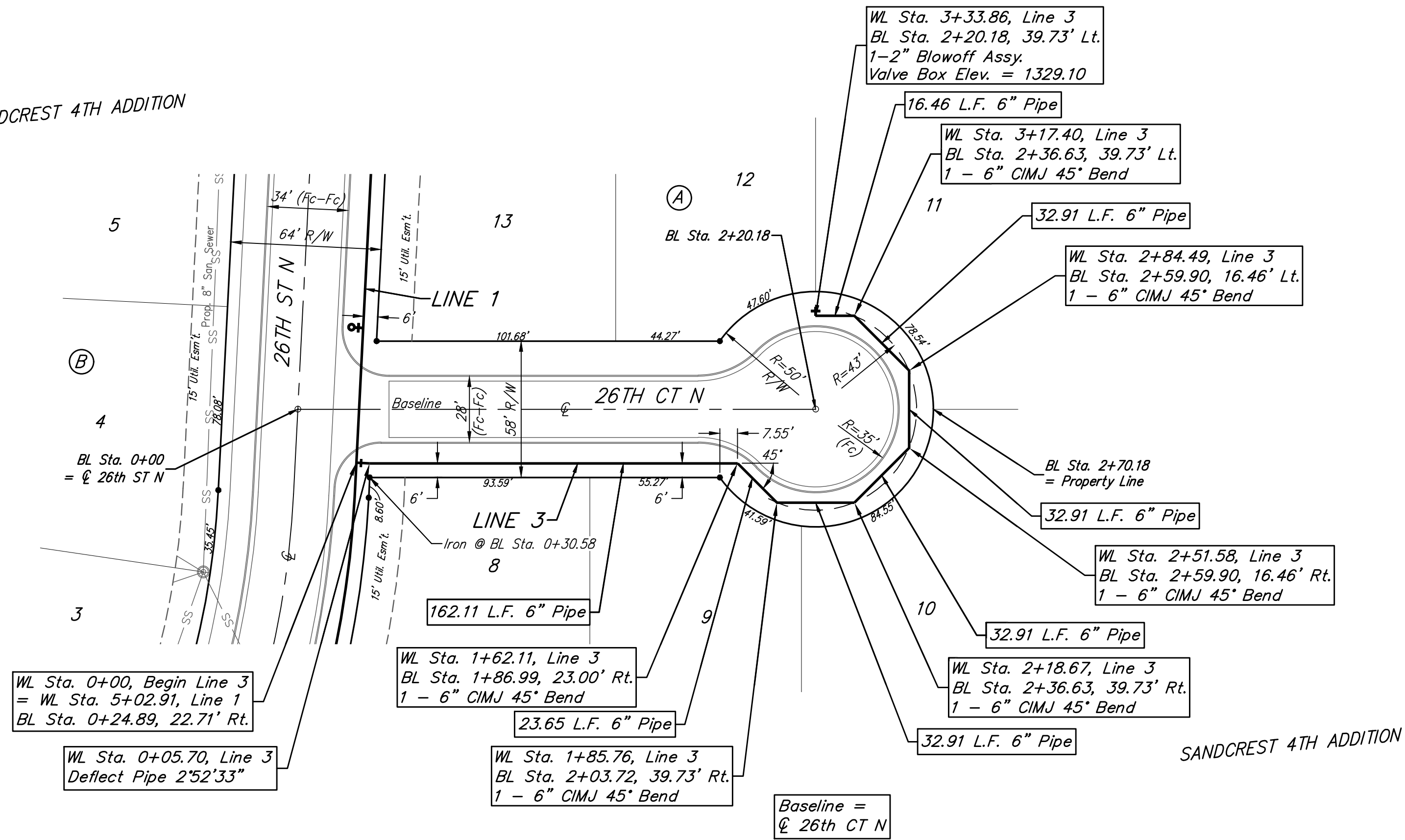


BENCHMARKS:
 City of Wichita Benchmark Disk
 34.9' S. & 31.2' W. of the SW Cor.,
 NW1/4, Sec. 2, Twp. 27-S, R-1-W.
 Elev. = 1327.57 NAVD88

"X" cut in top of curb inlet face
 north side of 26th ST N.
 129' west & 21' north of the
 southwest corner of Lot 1, Block B,
 Sandcrest 4th Addn.
 Elev. = 1324.00 NAVD88

"□" cut in top of curb adjacent
 to the southwest corner of Lot 4,
 Block C, Sandcrest 3rd Addn.
 Elev. = 1328.86 NAVD88

SANDCREST 4TH ADDITION



		Sandcrest 4th Addition - Phase I	
		LINE 3	
Baughman Company, P.A. 315 Ellis St. Wichita, KS 67211 P 316-262-7271 F 316-262-0149		ENGINEERING SURVEYING PLANNING LANDSCAPE ARCHITECTURE	
PROJECT NUMBER 448-90896	DESIGN AEG	DRAWN JAK	DATE 2/26/18
REVISIONS:	APPROVED		
	SCALE Noted		
	SHEET		
6 OF 14			