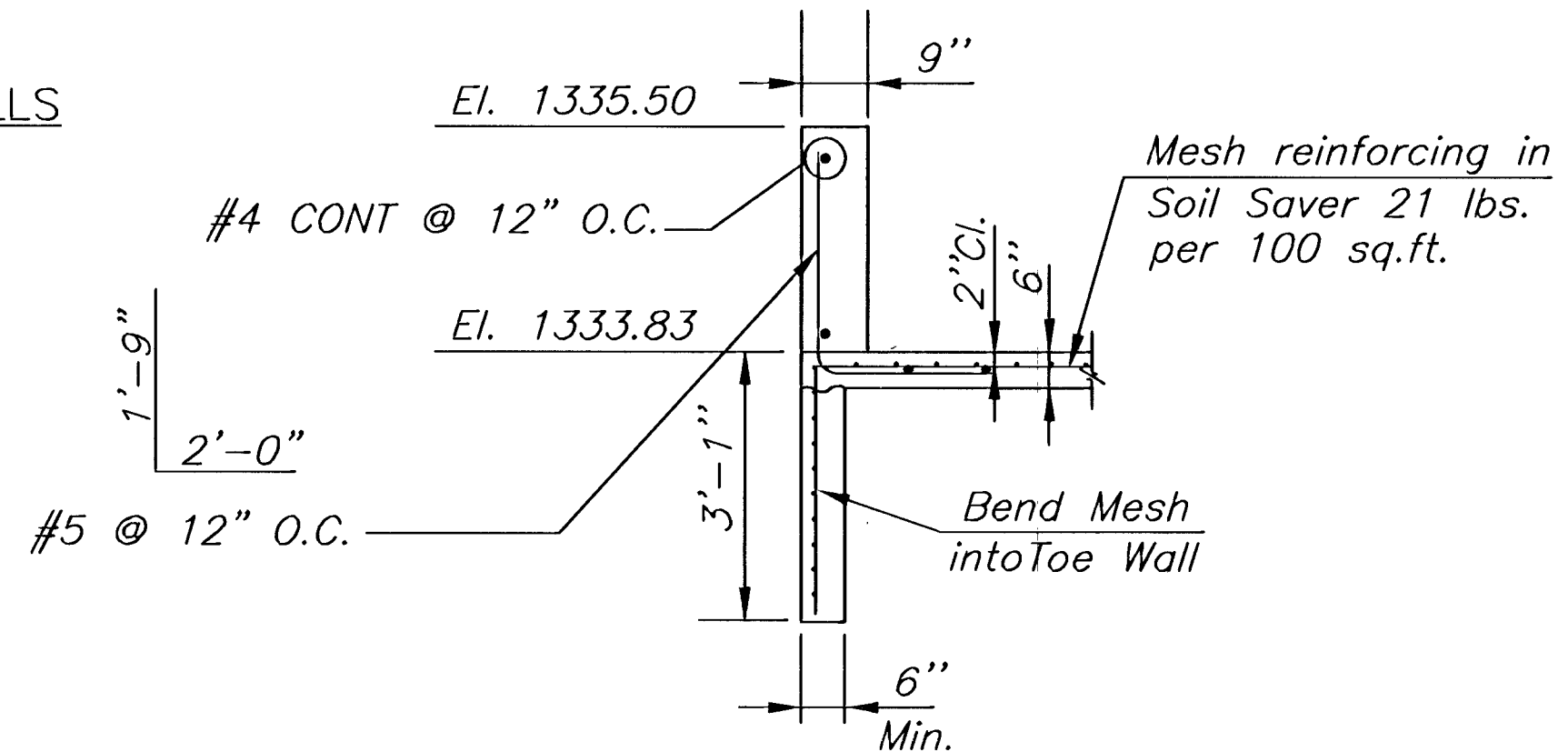
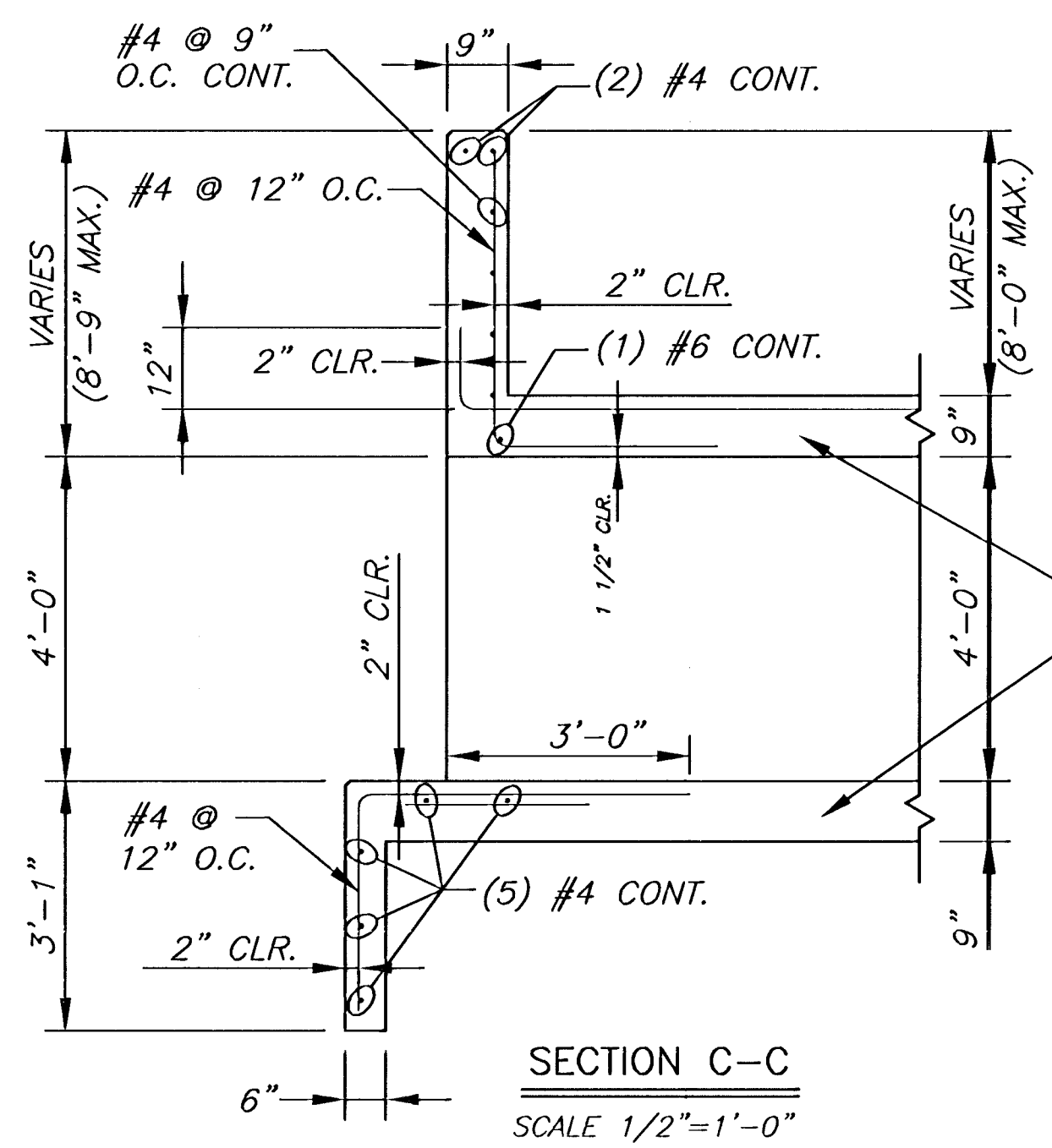


TYPICAL ELEVATION OF WINGWALLS

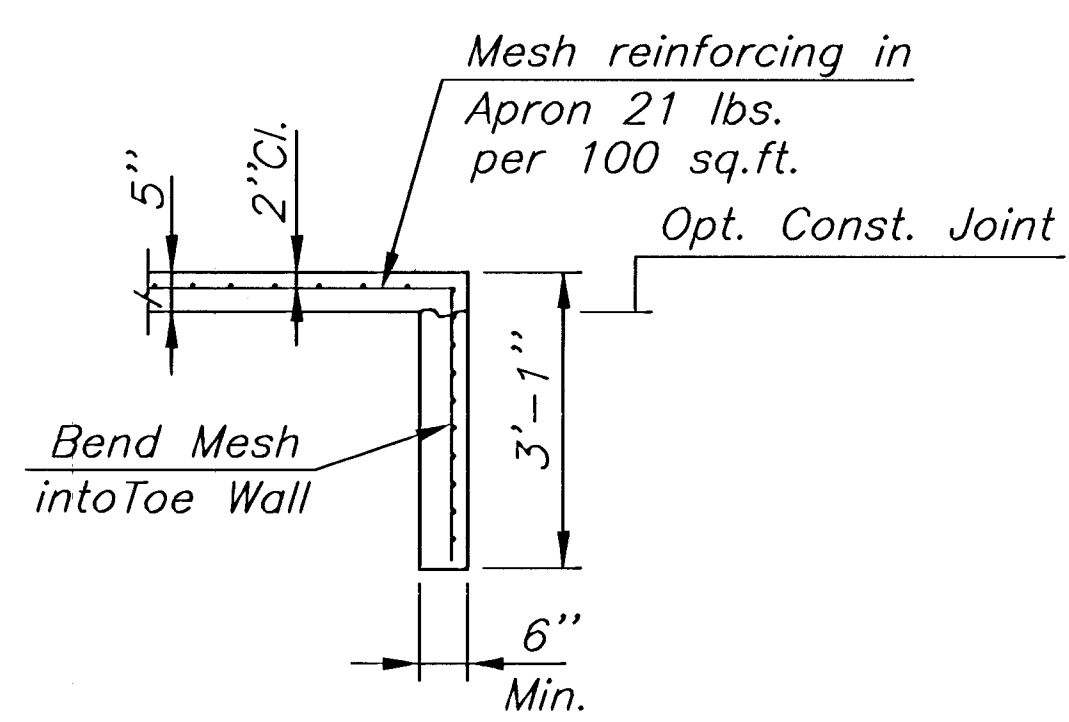


SECTION E-E  
Up Stream (Only)

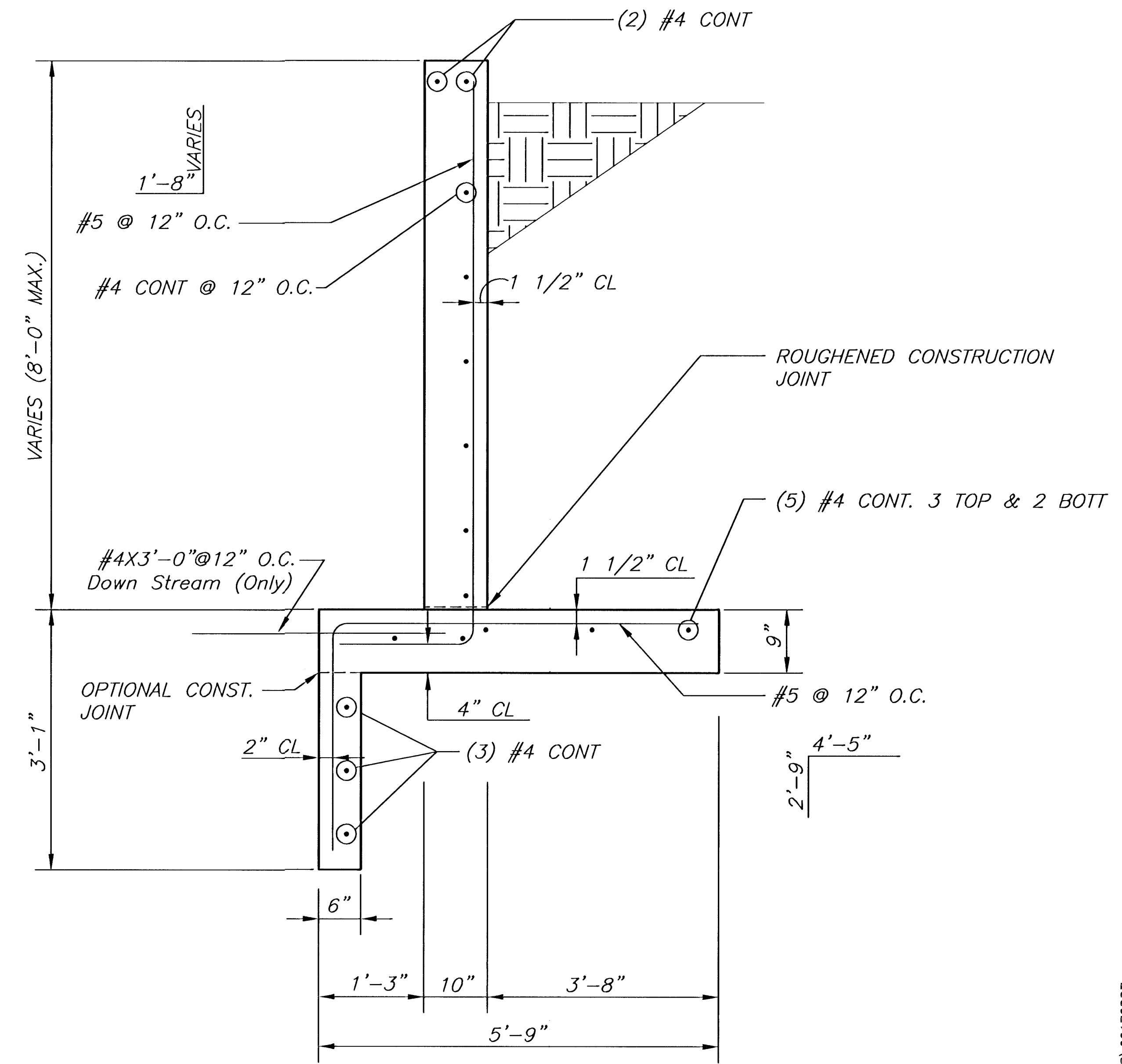


SECTION C-C  
SCALE 1/2"=1'-0"

SEE BOX SECTION FOR  
ADDITIONAL REINFORCING



SECTION E-E  
Down Stream (Only)



TYPICAL WINGWALL  
SECTION D-D



**WOODLAND LAKES ESTATES  
THIRD ADDITION - ZELTA PHASE**  
PROJECT NAME

**8'X4' RCB DETAILS**  
SHEET TITLE

DK DESIGN BY:	JAS DRAWN BY:	ASH CHECKED BY:
JULY 2003 DATE	02172 JOB NO.	14 / 32 SHEET/OF

H:\CIVIL\95058\02172\DWG\SWIS\ZELTA\RCB\02172D07