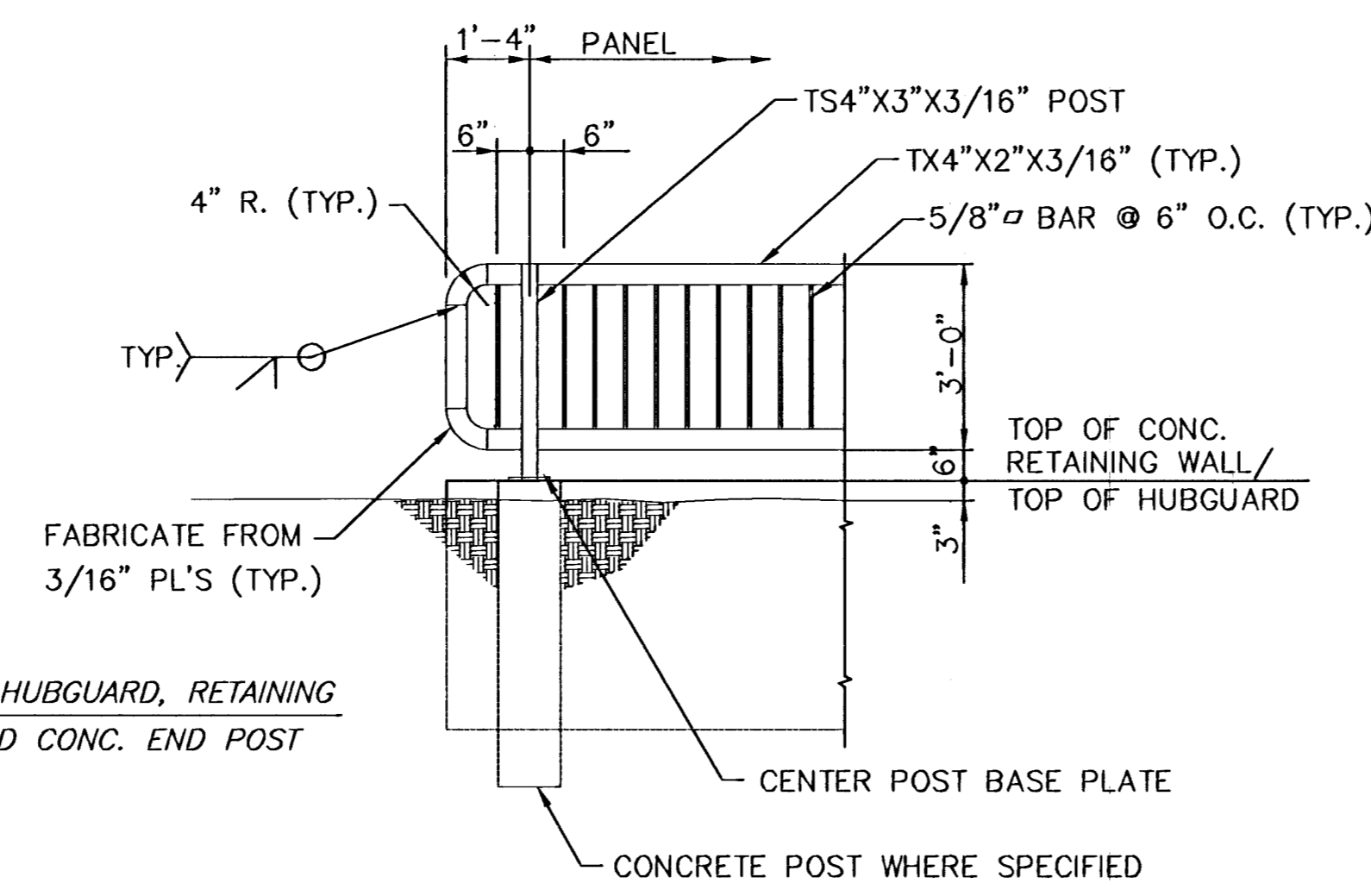
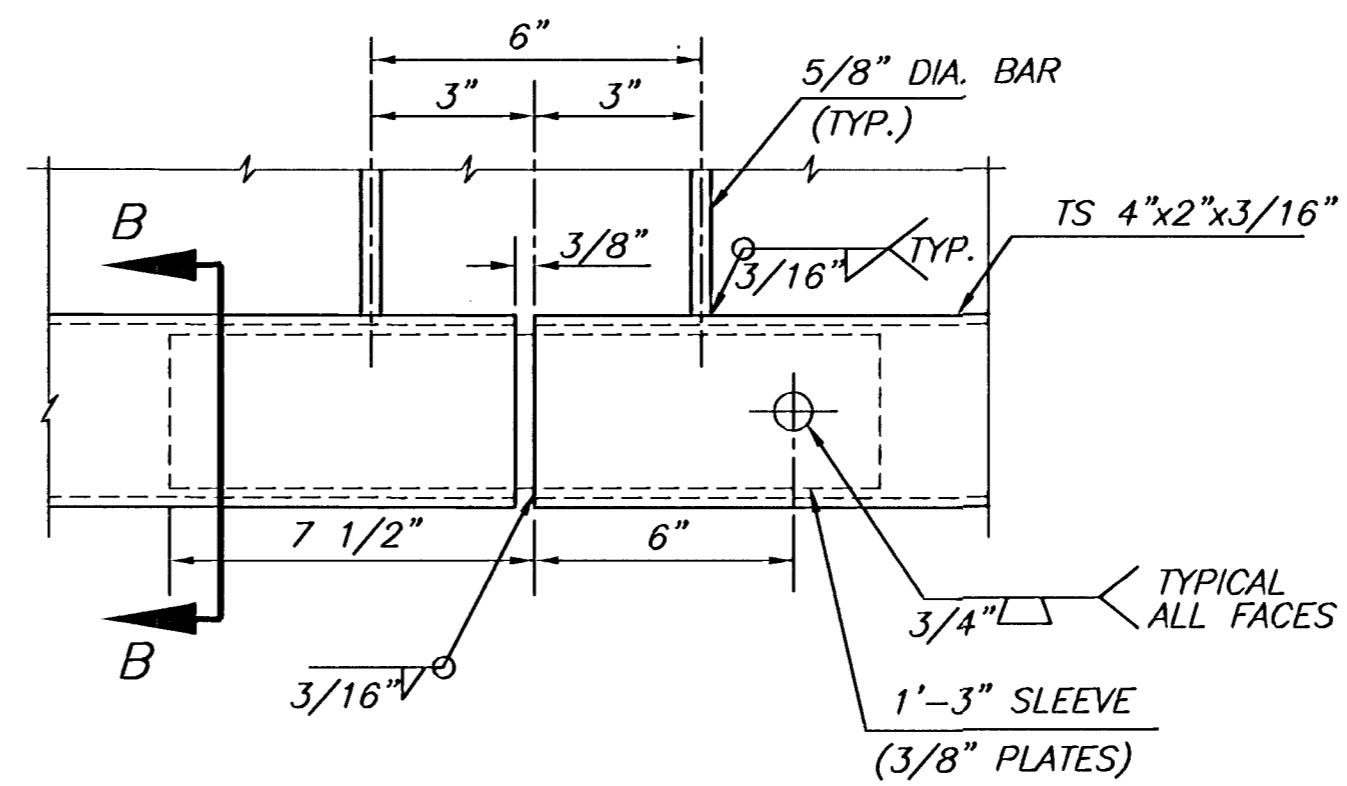


1/2" Ø U-BOLTS W/HEX NUTS, PL WSHRS & LOCK WSHRS (ALL GALV.)

**TYPICAL RAIL SECTION**  
NO SCALE

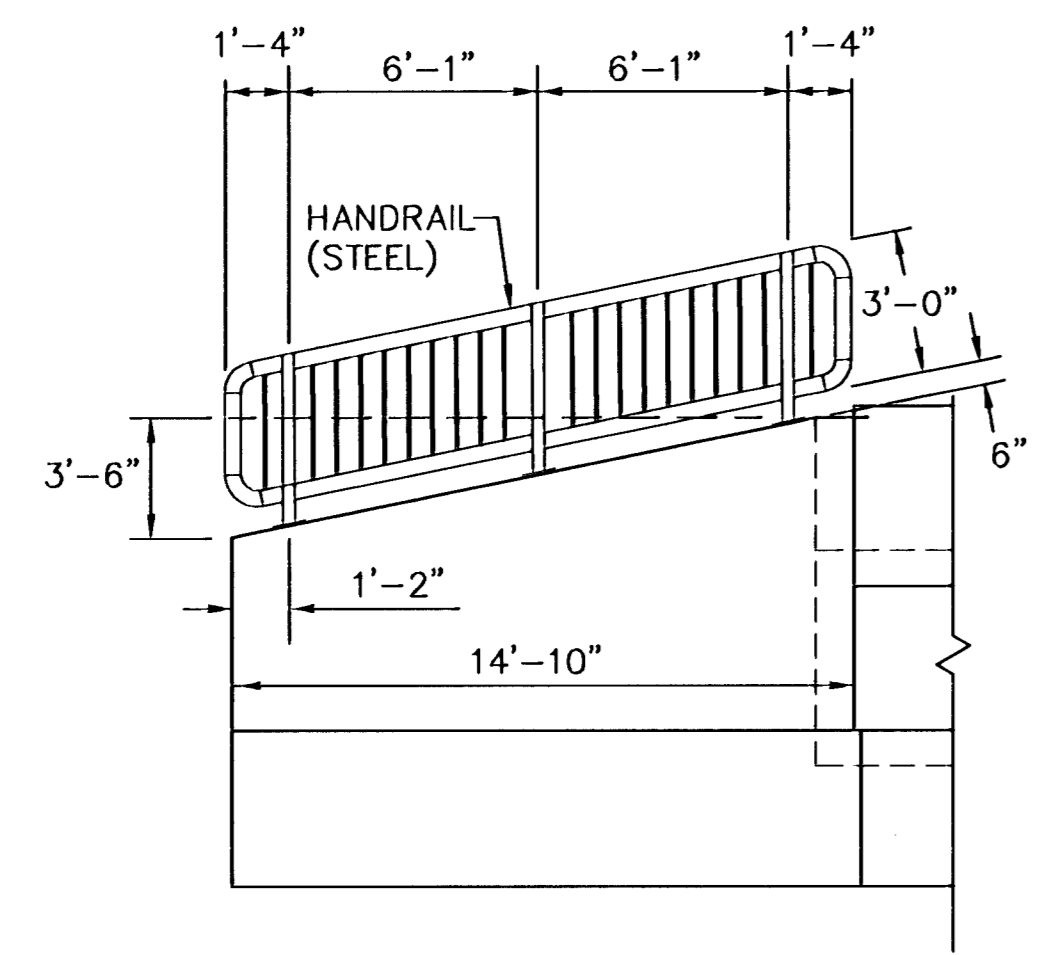


**TYPICAL HANDRAIL PANEL DETAIL**

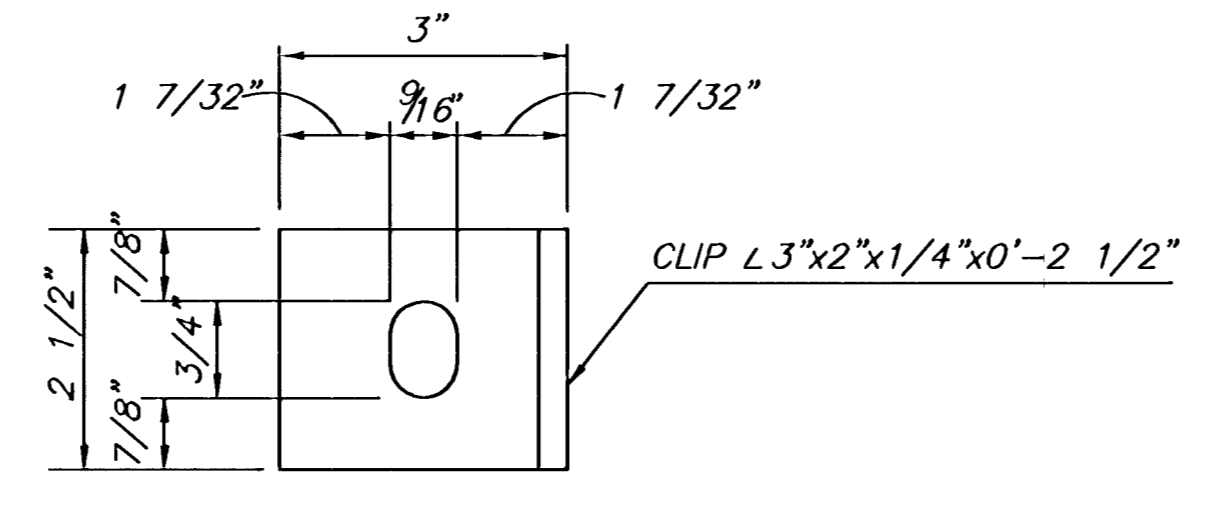


**SLEEVE DETAIL**  
NO SCALE  
(BOTTOM RAIL SHOWN, TOP RAIL SIMILAR)

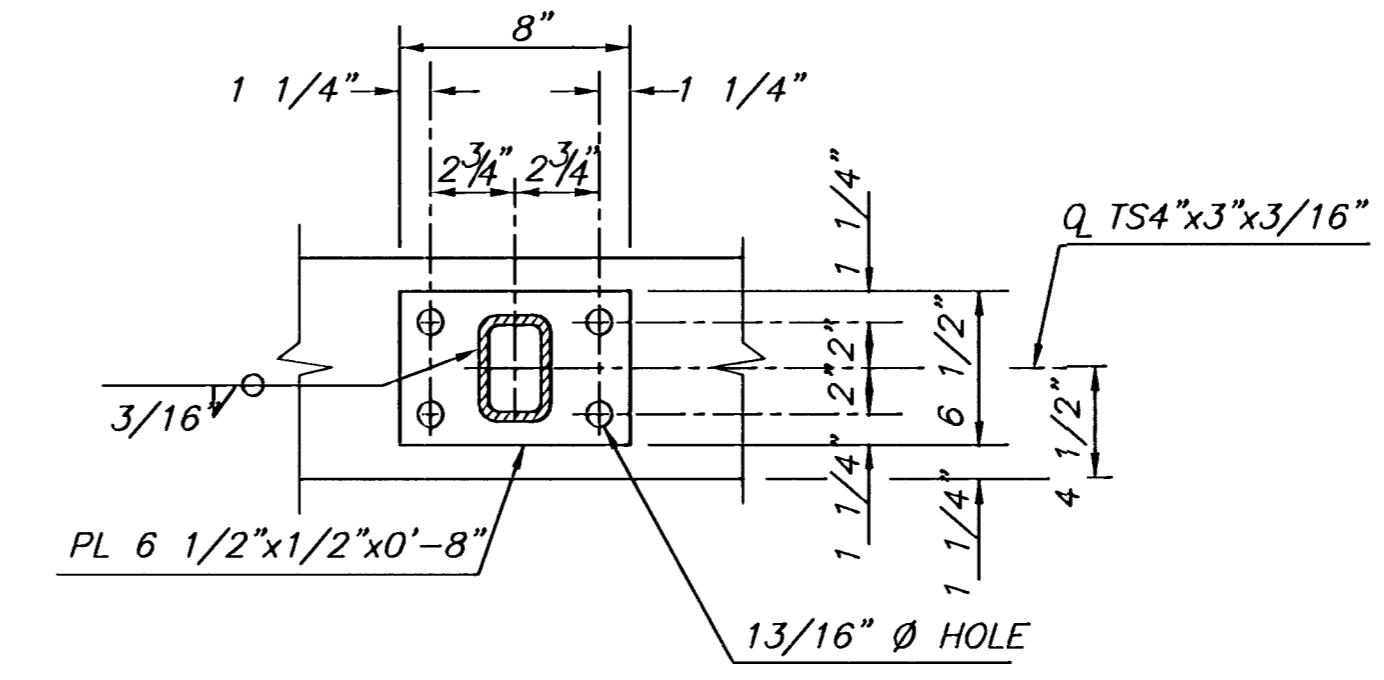
- HANDRAIL NOTES:**
- The rail members shall conform to ASTM Designation A36 or equivalent.
  - Rail shall be fabricated in lengths to include a minimum of two and a maximum of three panels. Posts shall be set vertical. Shims may be used between concrete and base plates of posts.
  - All parts of Handrail shall be painted. The primer coat shall conform to the inorganic Zinc System. Surface preparation shall be in accordance with that for structural steel. The finish coat shall be in accordance with waterborne acrylic finish coat. All materials, equipment and labor necessary for the installation of the Handrail shall be subsidiary to the bid item "RCB Handrail".
  - Paint shall be *Themec semi-gloss Hunter Green (pl 20)* or an equivalent approved by MKEC. Supply color chart to MKEC for approval prior to painting of handrail.



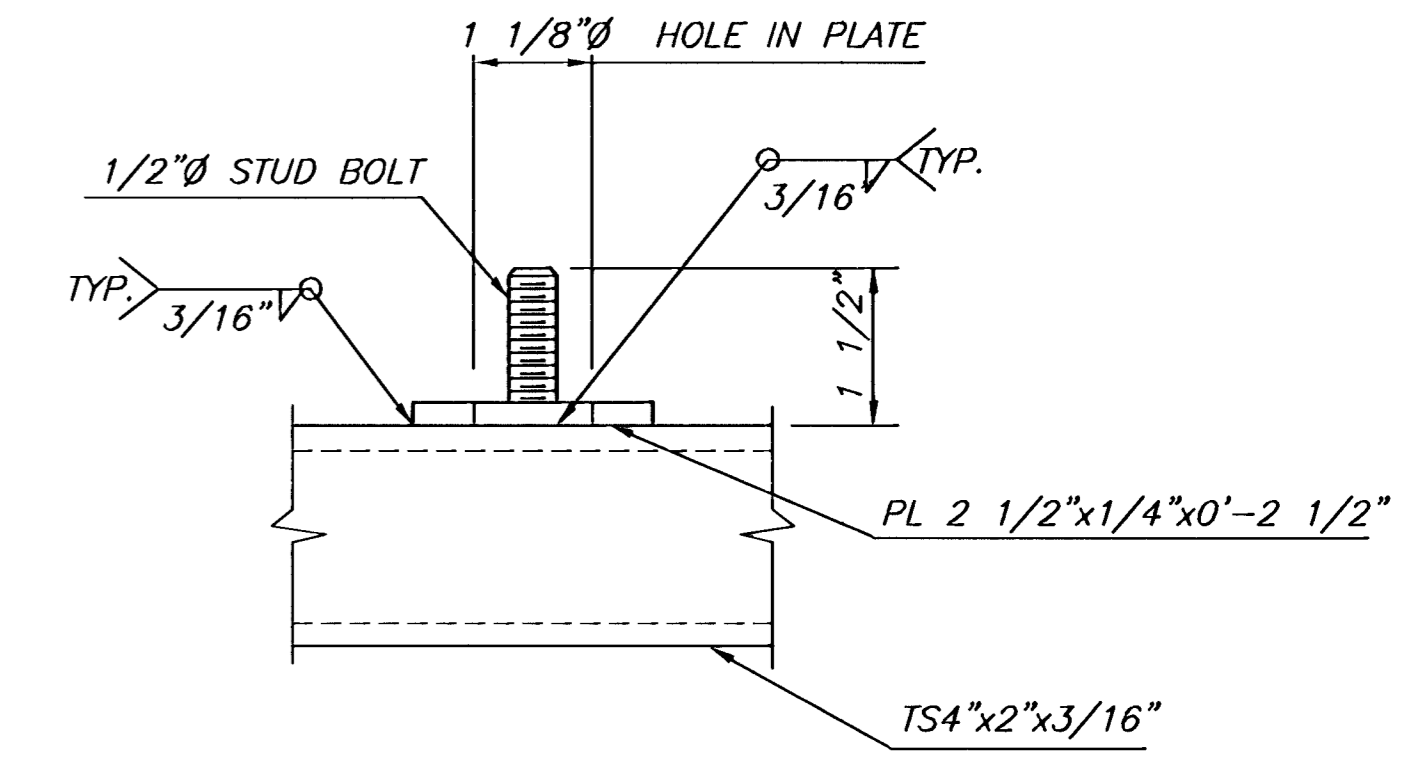
**HANDRAIL ELEVATION - WINGWALLS**  
(2 REQUIRED)



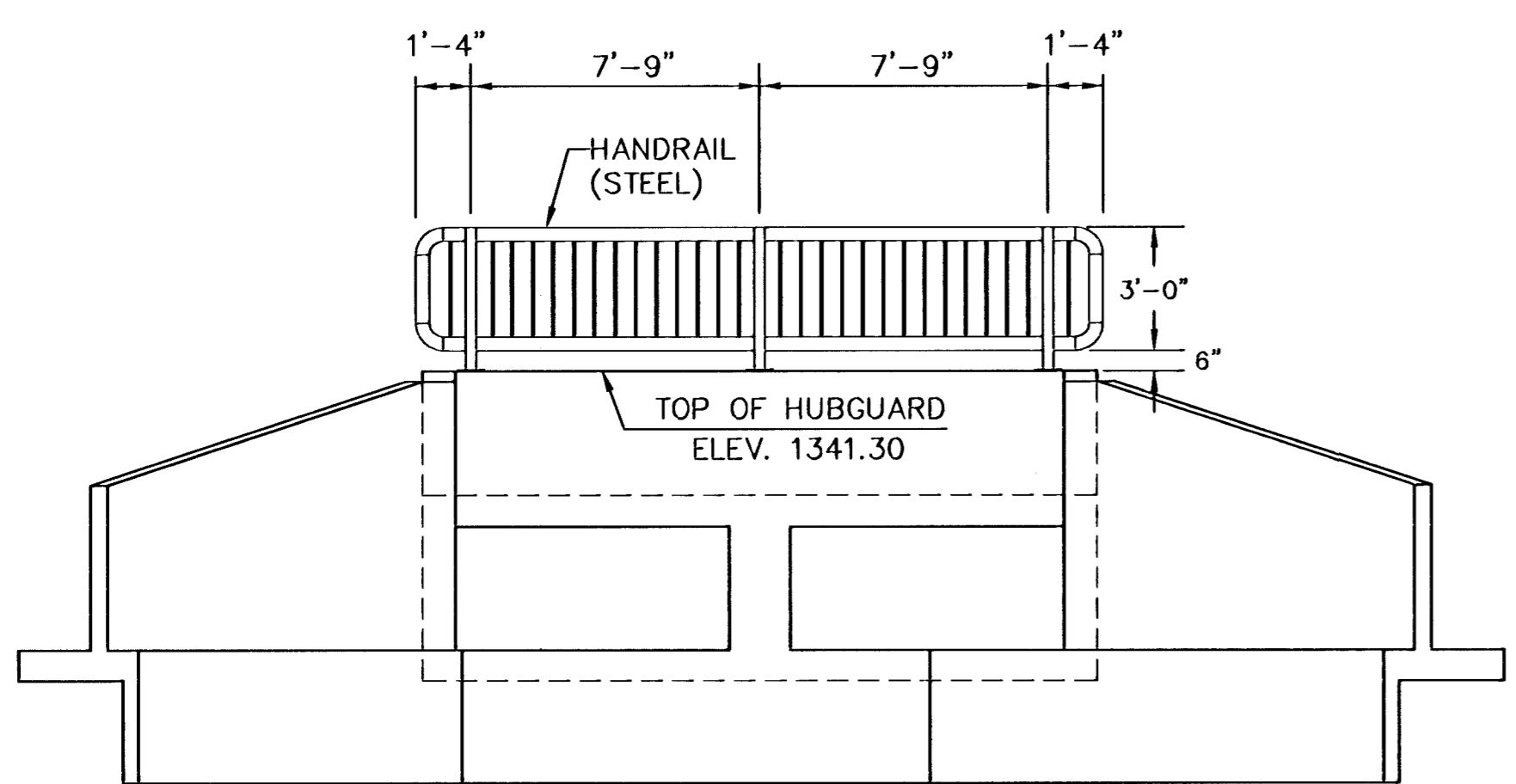
**CLIP DETAIL**  
NO SCALE



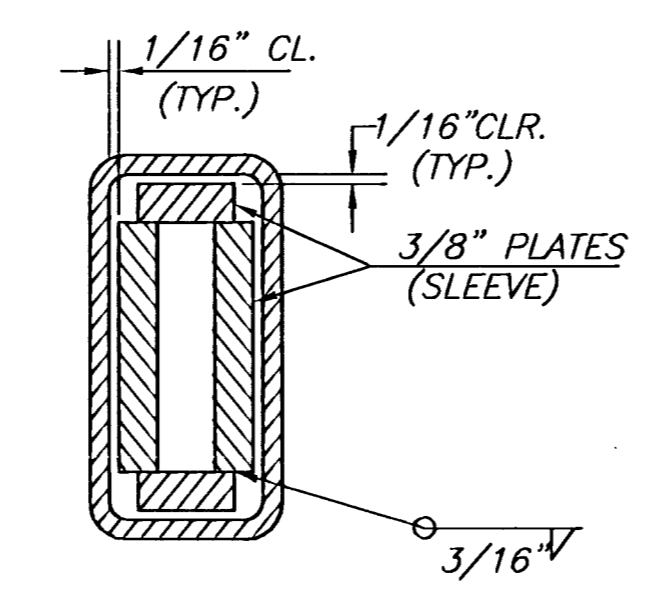
**BASE PLATE DETAIL**  
NO SCALE



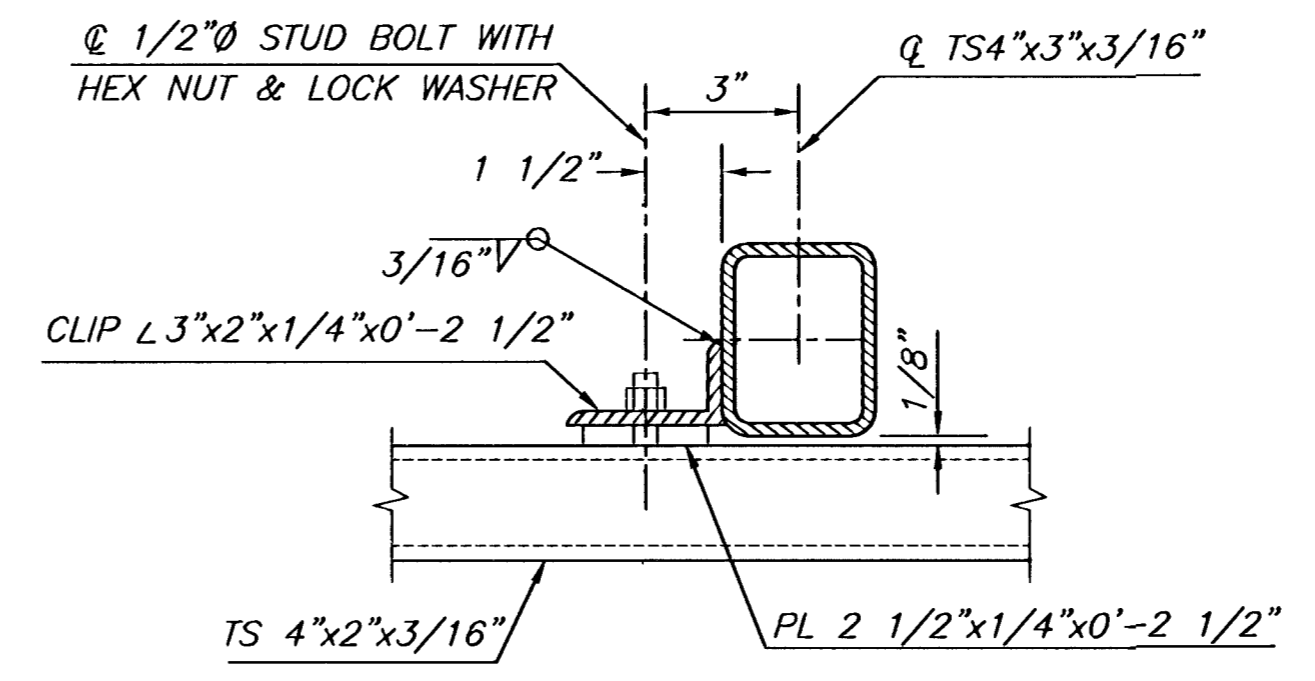
**STUD BOLT DETAIL**  
NO SCALE



**HANDRAIL ELEVATION - HUBGUARD**  
(2 REQUIRED)



**SECTION B-B**  
NO SCALE



**RAIL CONNECTION DETAIL**  
NO SCALE

**WOODLAND LAKES ESTATES  
THIRD ADDITION - ZELTA PHASE**  
PROJECT NAME

**RCB HANDRAIL DETAILS**  
SHEET TITLE

DFL DESIGN BY:	DMU DRAWN BY:	GJA CHECKED BY:
JULY 2003 DATE	02172 JOB NO.	16 / 32 SHEET/OF

411 N. WEBB ROAD  
WICHITA, KS. 67206  
316-684-9600

H:\CIVIL\95058\02172\DWG\SW\ZELTA\RCB\02172DD9