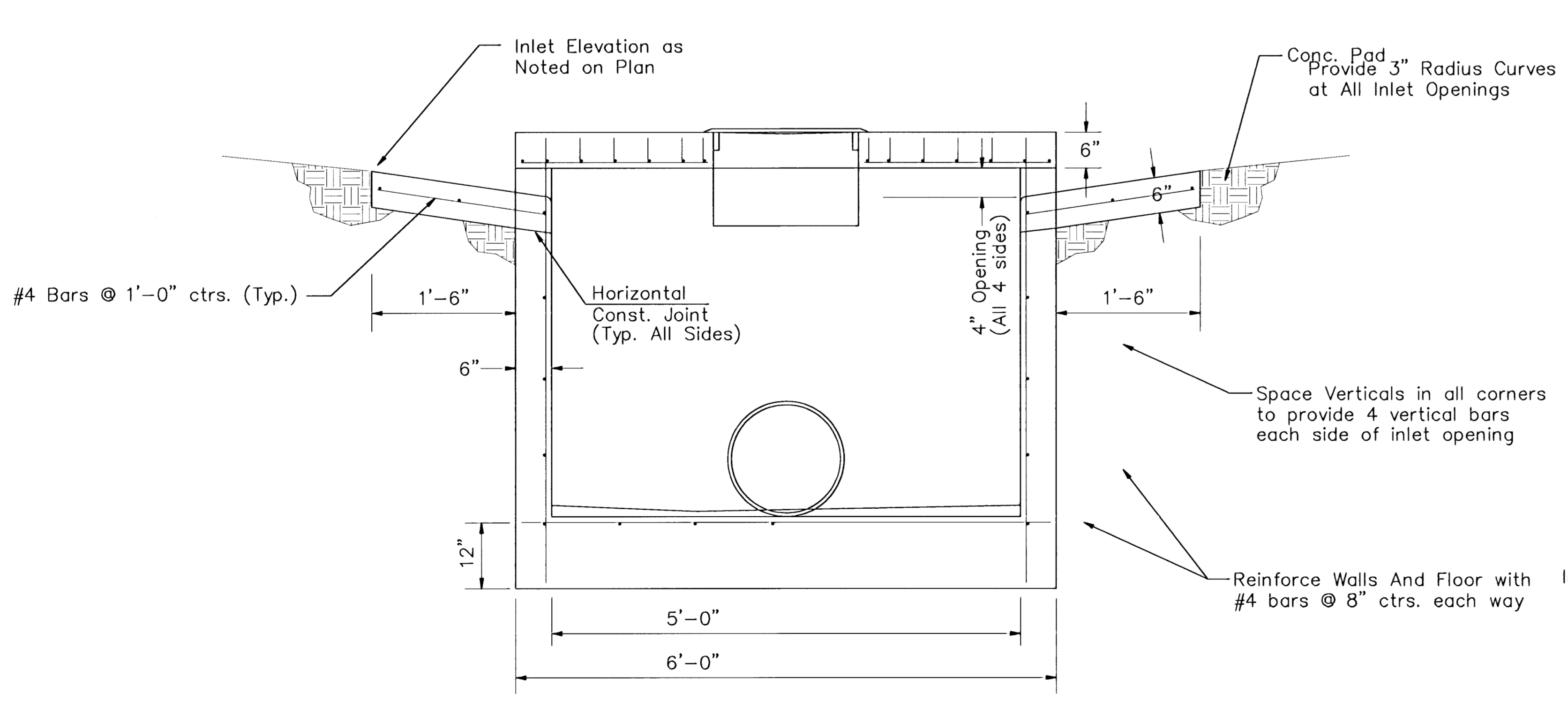
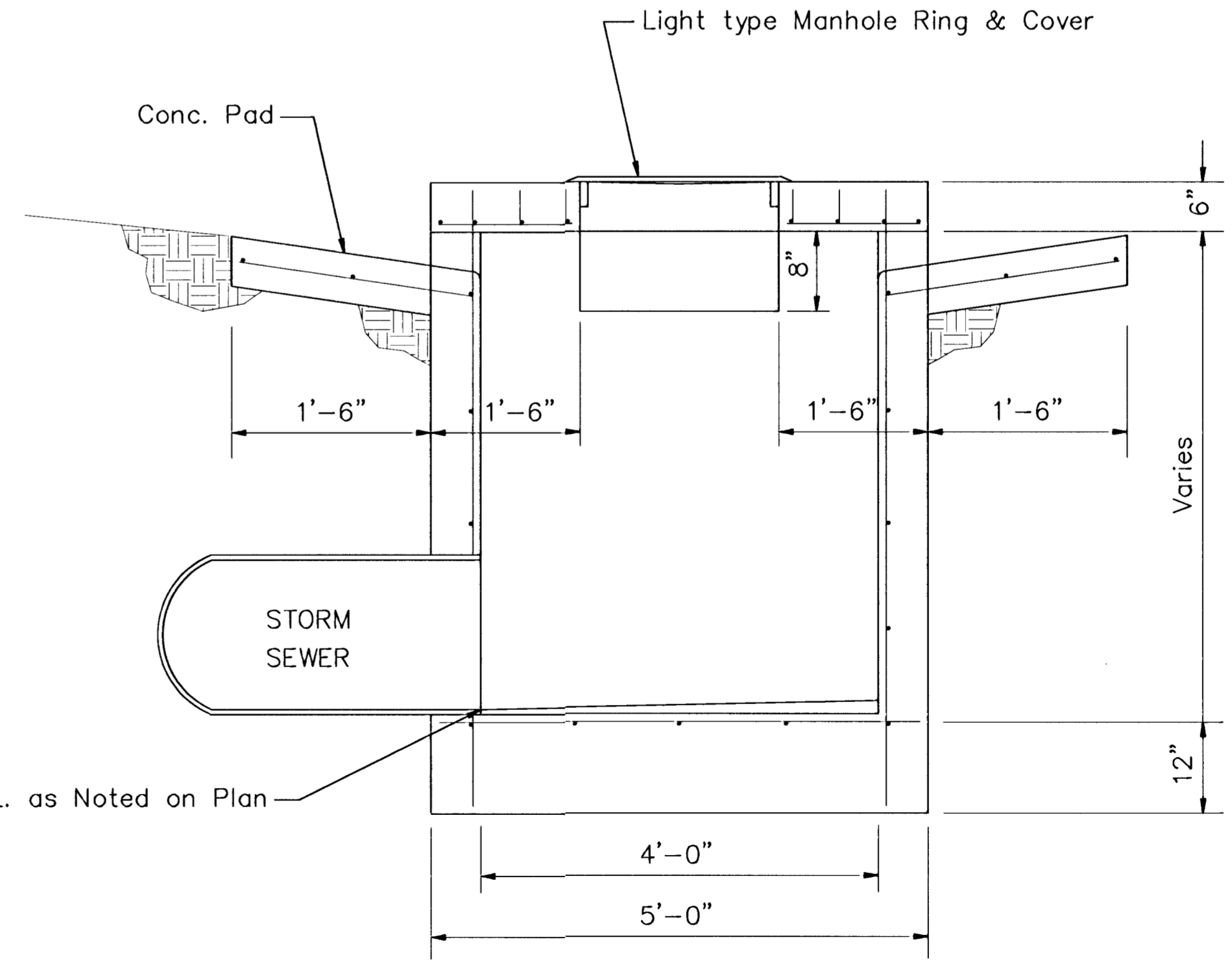


PLAN VIEW



SECTION "A-A"



SECTION "B-B"

No.	Date	By	Approved
1			
2			
3			

FALCON FALLS - PHASE 1
STREET IMPROVEMENTS
SPECIAL DROP INLET DETAILS
CITY OF WICHITA, KANSAS
NEIL D. CABLE, P.E. - CITY ENGINEER
C.O.N. Project # 472-83687 O.C.A. # 765782

POE & ASSOCIATES OF KANSAS, INC.
CONSULTING ENGINEERS
5940 E. Central, Suite 200 ■ Wichita, KS 67208-2242
Phone 316668-4114 ■ FAX 316668-4444

FINAL

Designed By: J. Ubert / B. Kulla
Drawn By: B. Kulla
Pos Job No.: 1748A
Date: May 2003

Sheet
29 of 88

G:\APPS\DCAP\1748\BASE.dwg Tue Jun 17 12:48:32 2003