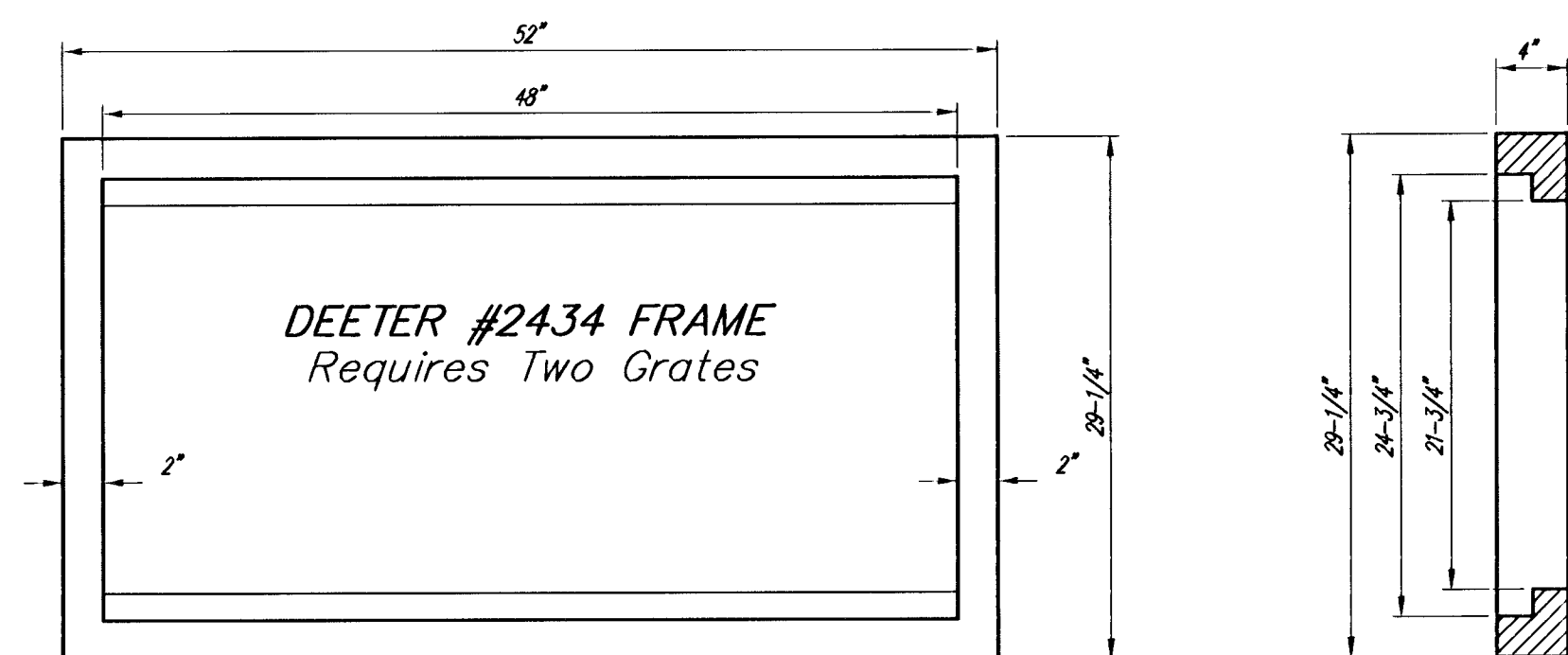


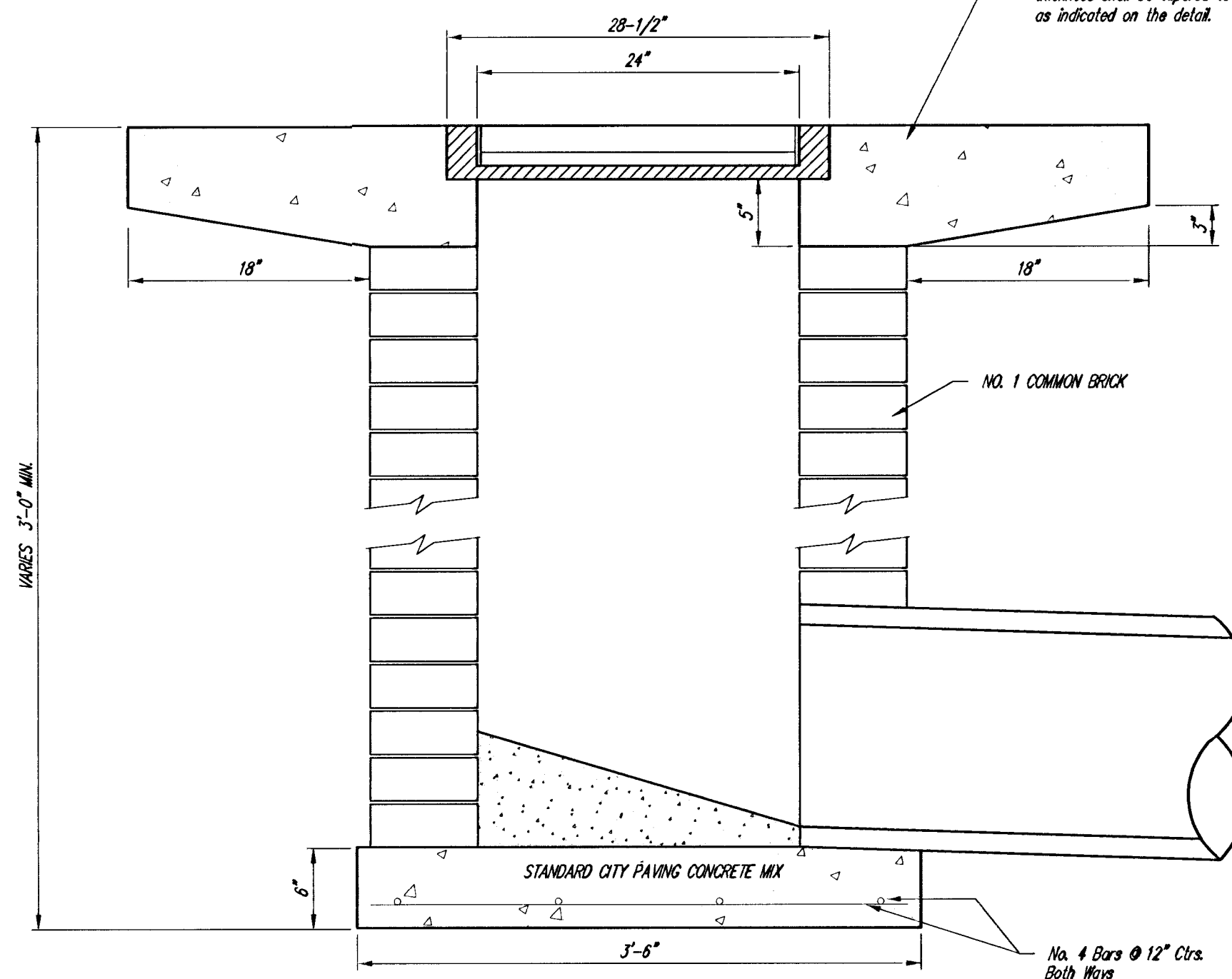
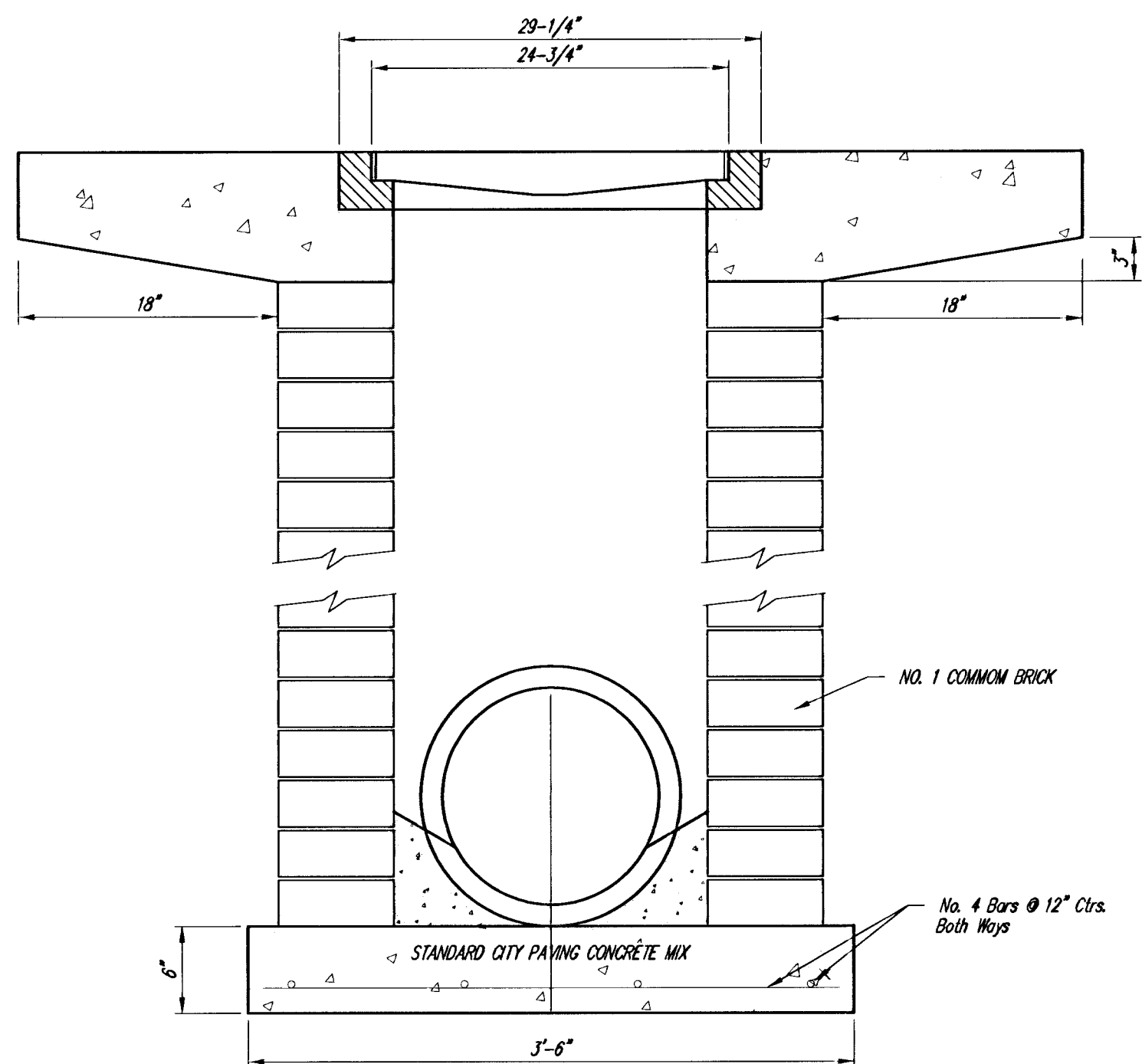
DEETER #2433 GRATE

24" x 24" Frame and Grate Detail

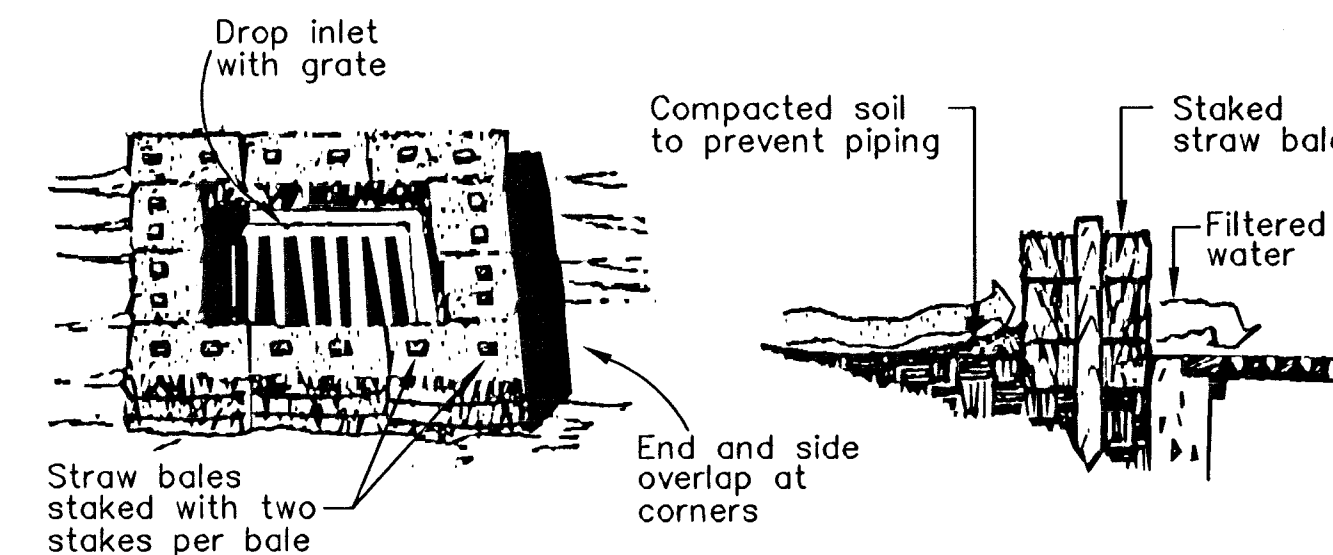
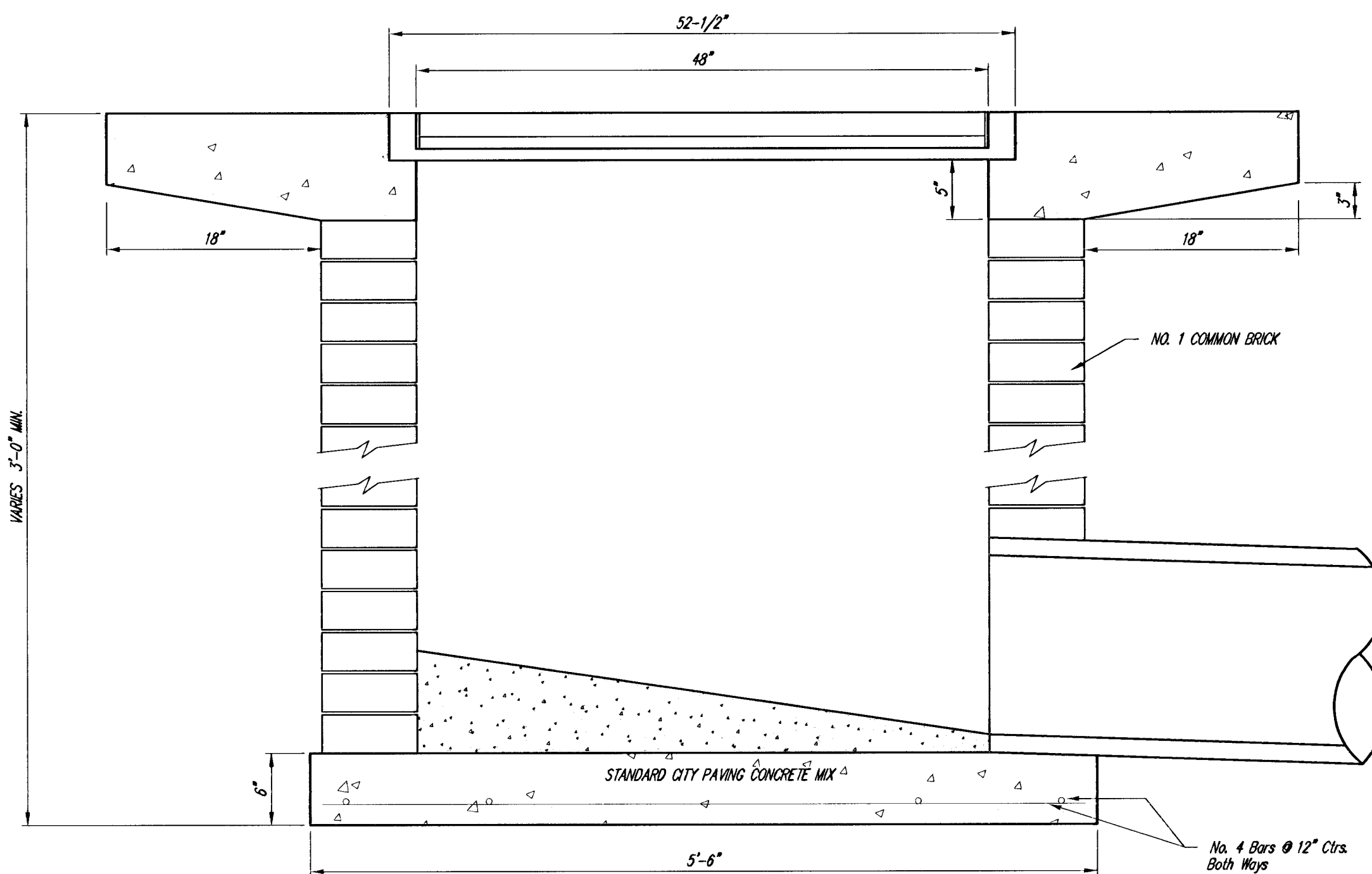


Double 24" x 24" Frame Detail

NOTE: Grates shall be imprinted on the top surface with "CITY OF WICHITA" using letters at least 1" in height. Other marking methods may be approved by the engineer.



Note: Concrete apron shall be constructed around the inlet when inlet is located in an unpaved area. Where the inlet is adjacent to pavement, the pavement thickness shall be tapered to the inlet in 18 inches as indicated on the detail.



## HAY BALE SEDIMENT BARRIER

THE CITY OF WICHITA  
  
 CITY ENGINEER'S OFFICE  
 455 NORTH MAIN STREET  
 WICHITA, KANSAS 67202  
 (316) 268-4501  
 (316) 268-4114 FAX

**DROP INLET**  
 2' X 2'/2' X 4'

M. E. LINDEBAK P.E. - CITY ENGINEER

PROJECT NUMBER \_\_\_\_\_ INDEX CODE \_\_\_\_\_  
 DATE MAR 96 SHEET 68 OF 88

**FINAL**

Designed By: J. Ubert / B. Kullio  
 Drawn By: B. Kullio  
 P.O. Job No.: 1748A  
 Date: May 2003

FALCON FALLS - PHASE 1  
 STREET IMPROVEMENTS  
 DROP INLET/HAY BALE SEDIMENT BARRIER  
 CITY OF WICHITA, KANSAS  
 NEIL D. CABLE, P.E. - CITY ENGINEER  
 C.O.W. Project # 472-83687 O.C.A. # 765782

POE & ASSOCIATES OF KANSAS, INC.  
 CONSULTING ENGINEERS  
 5840 E. Central, Suite 200  
 Wichita, KS 67208-6242  
 Phone 316-685-4114 FAX 316-685-4444

